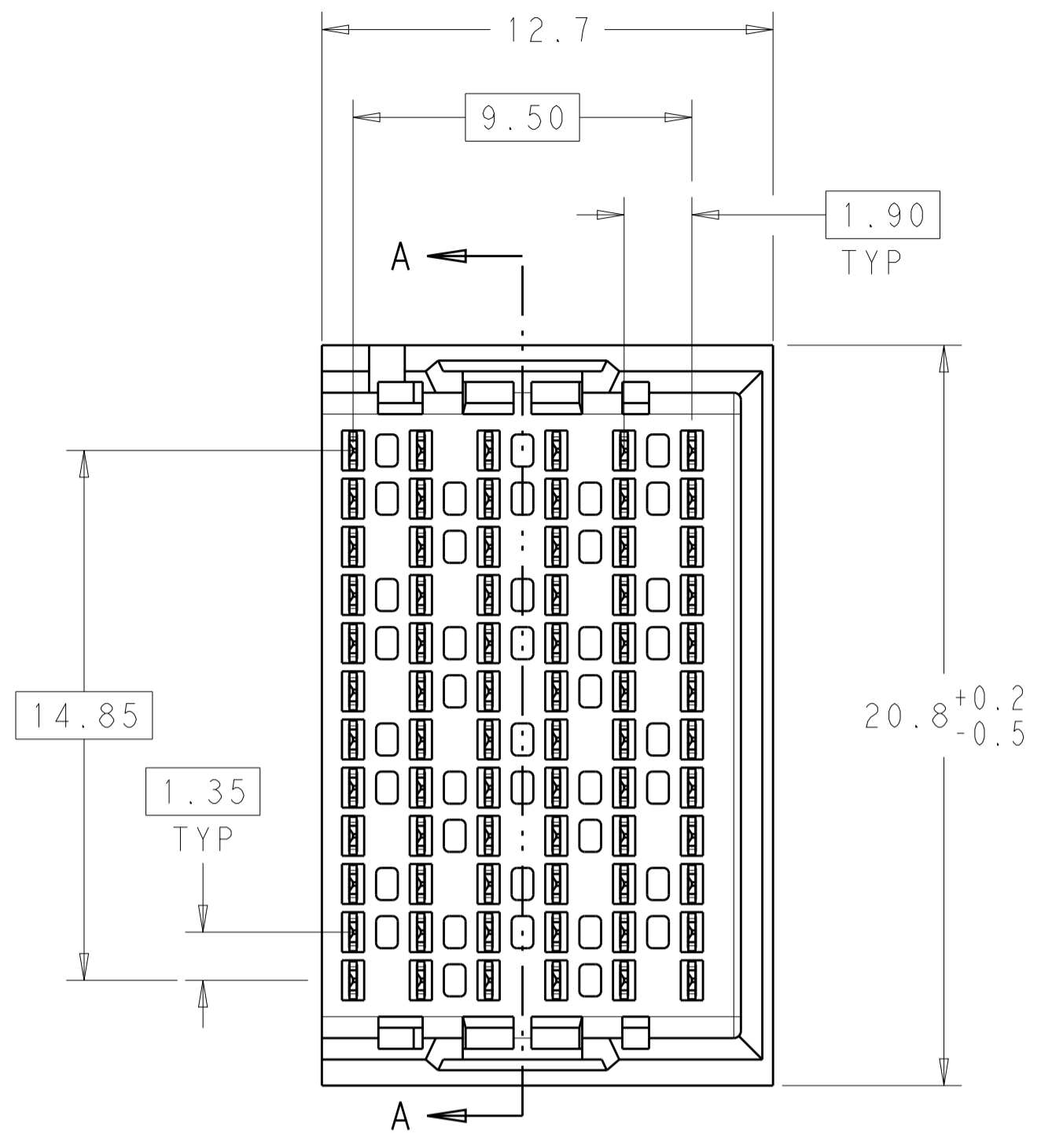
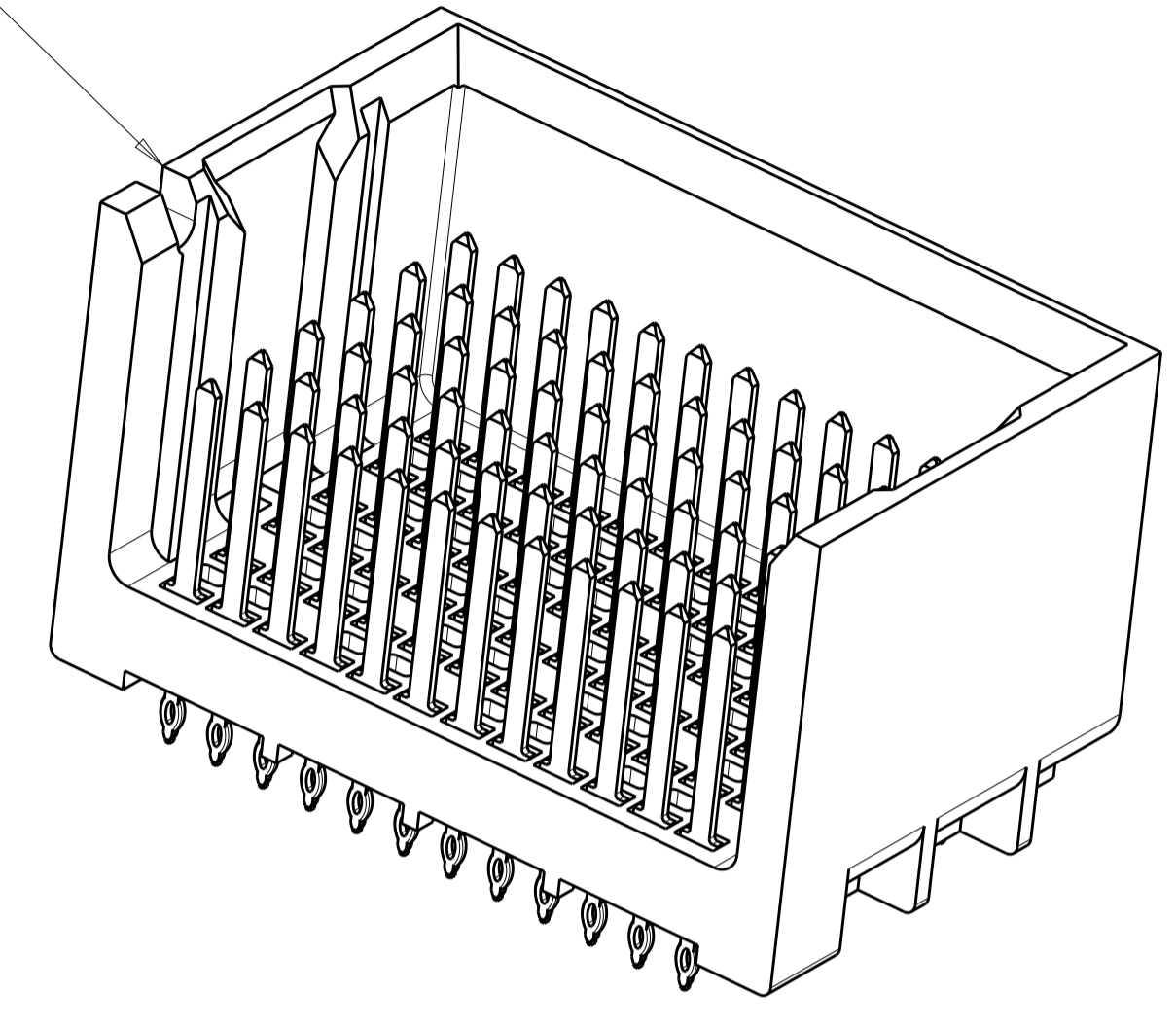


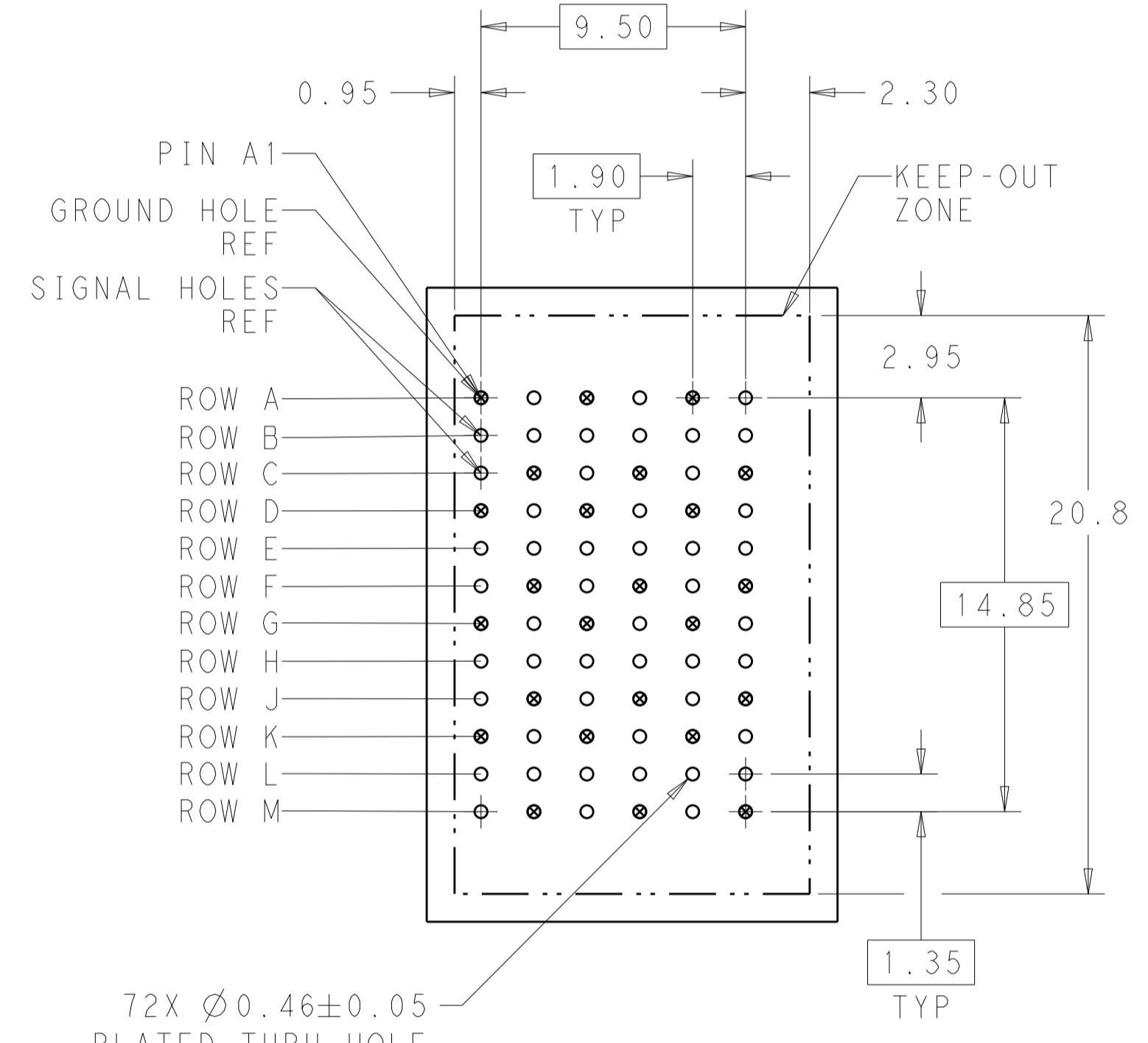
LOC		DIST		REVISIONS			
AD	00	REV	DATE	BY	CHK	APPV	DATE
		A1	06FEB2015	AP	DD		
DESCRIPTION				REVISIONS			
REVISED PER ECO-15-001494							



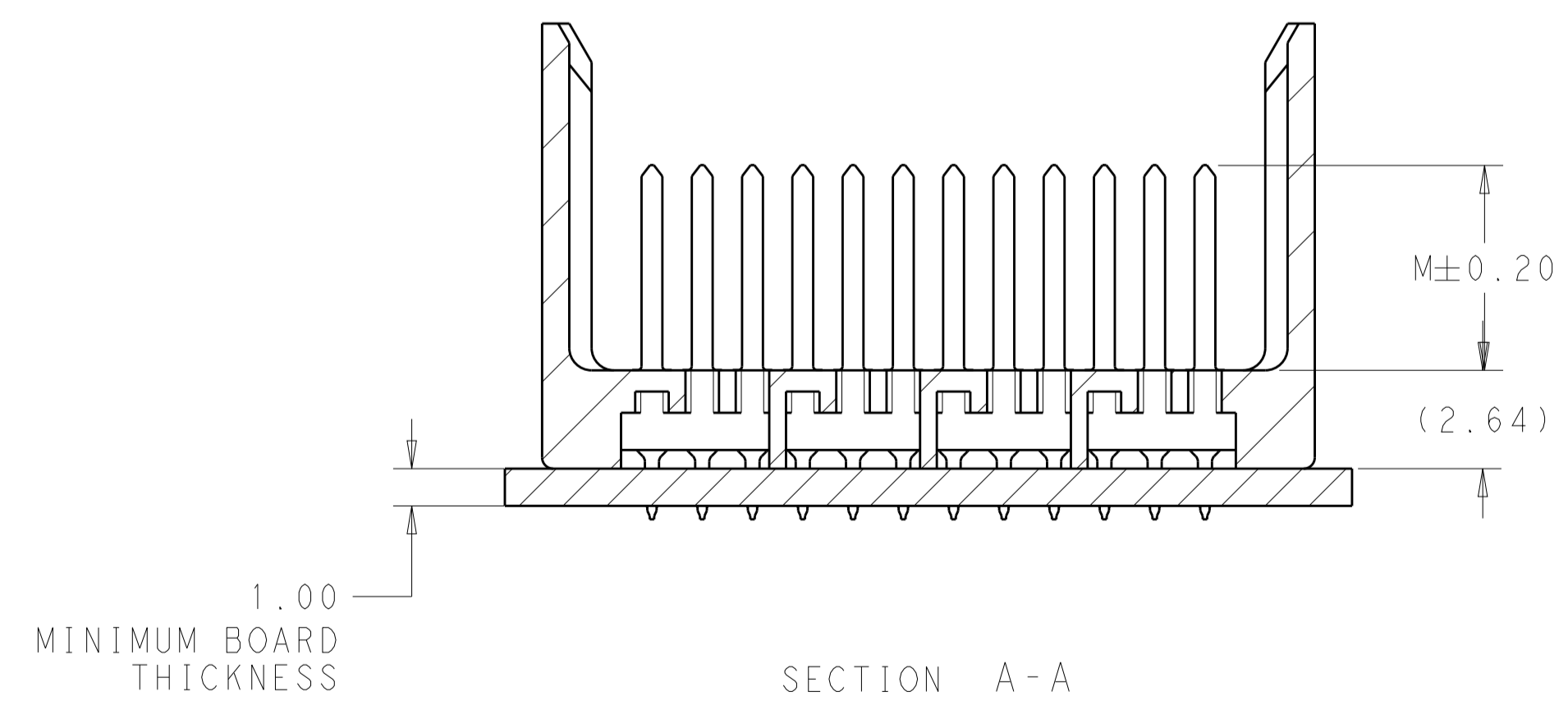
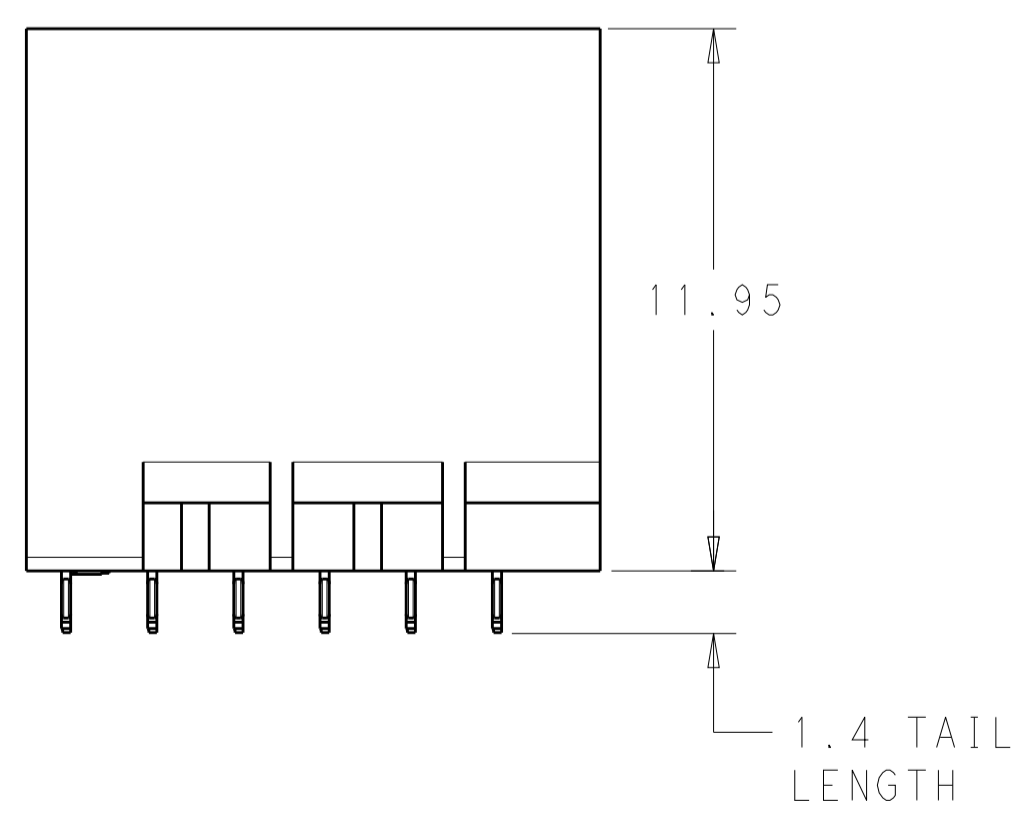
NOTCH DESIGNATES ROW A



- ⚠ MATERIAL:  
HOUSING: LCP, GLASS FILLED, UL94V-0.  
TERMINALS: HIGH PERFORMANCE COPPER ALLOY.
- ⚠ FINISH:  
30μ" MIN GOLD IN CONTACT AREA. SELECTIVE TIN ON PCB TAILS, NICKEL OVERALL.



UNGUIDED BACKPLANE HOLE PATTERN (CONNECTOR SIDE)



THIS DRAWING IS A CONTROLLED DOCUMENT.		OWN: R. GRZYBOWSKI 06JUN2011	TE Connectivity
DIMENSIONS: mm		CHK: J. EARY 06JUN2011	
TOLERANCES UNLESS OTHERWISE SPECIFIED:		APVD: J. EARY 06JUN2011	NAME: IMPACT, 4 PAIR, 6 COLUMN, HEADER UNGUIDED, RIGHT END WALL SIGNAL MODULE, 0.46 PTH
0 PLC ± 1 PLC ±0.25 2 PLC ±0.13 3 PLC ± 4 PLC ± ANGLES ±		PRODUCT SPEC	
MATERIAL: SEE TABLE		APPLICATION SPEC	SIZE: A1
FINISH: SEE TABLE		WEIGHT	CAGE CODE: 2149985
CUSTOMER DRAWING		SCALE: 6:1	SHEET 1 OF 2

8

7

6

5

4

3

2

1

THIS DRAWING IS UNPUBLISHED. RELEASED FOR PUBLICATION 20  
 © COPYRIGHT 20 BY - ALL RIGHTS RESERVED.

LOC	DIST	REVISIONS					
		P	LTN	DESCRIPTION	DATE	DWN	APVD
AD	00	-	-	SEE SHEET 1	-	-	-

	5.5	2149985-3
	4.9	2149985-2
	4.5	2149985-1
FINISH	DIM M	PART NUMBER

REFER TO WWW.TE.COM  
FOR PRODUCT AVAILABILITY

THIS DRAWING IS A CONTROLLED DOCUMENT.		DWN R. GRZYBOWSKI 06 JUN 2011		TE Connectivity
DIMENSIONS: mm		CHK J. EARY 06 JUN 2011		
TOLERANCES UNLESS OTHERWISE SPECIFIED:		APVD J. EARY 06 JUN 2011	NAME IMPACT, 4 PAIR, 6 COLUMN, HEADER	
0 PLC ±0.25		PRODUCT SPEC	UNGUIDED, RIGHT END WALL	
2 PLC ±0.13		APPLICATION SPEC	SIGNAL MODULE, 0.46 PTH	
3 PLC ±		RESTRICTED TO	SIZE CAGE CODE DRAWING NO	
4 PLC ±		WEIGHT	A100779C=2149985	
ANGLES FINISH SEE TABLE		CUSTOMER DRAWING	SCALE 5:1	SHEET 2 OF 2
MATERIAL				REV A1