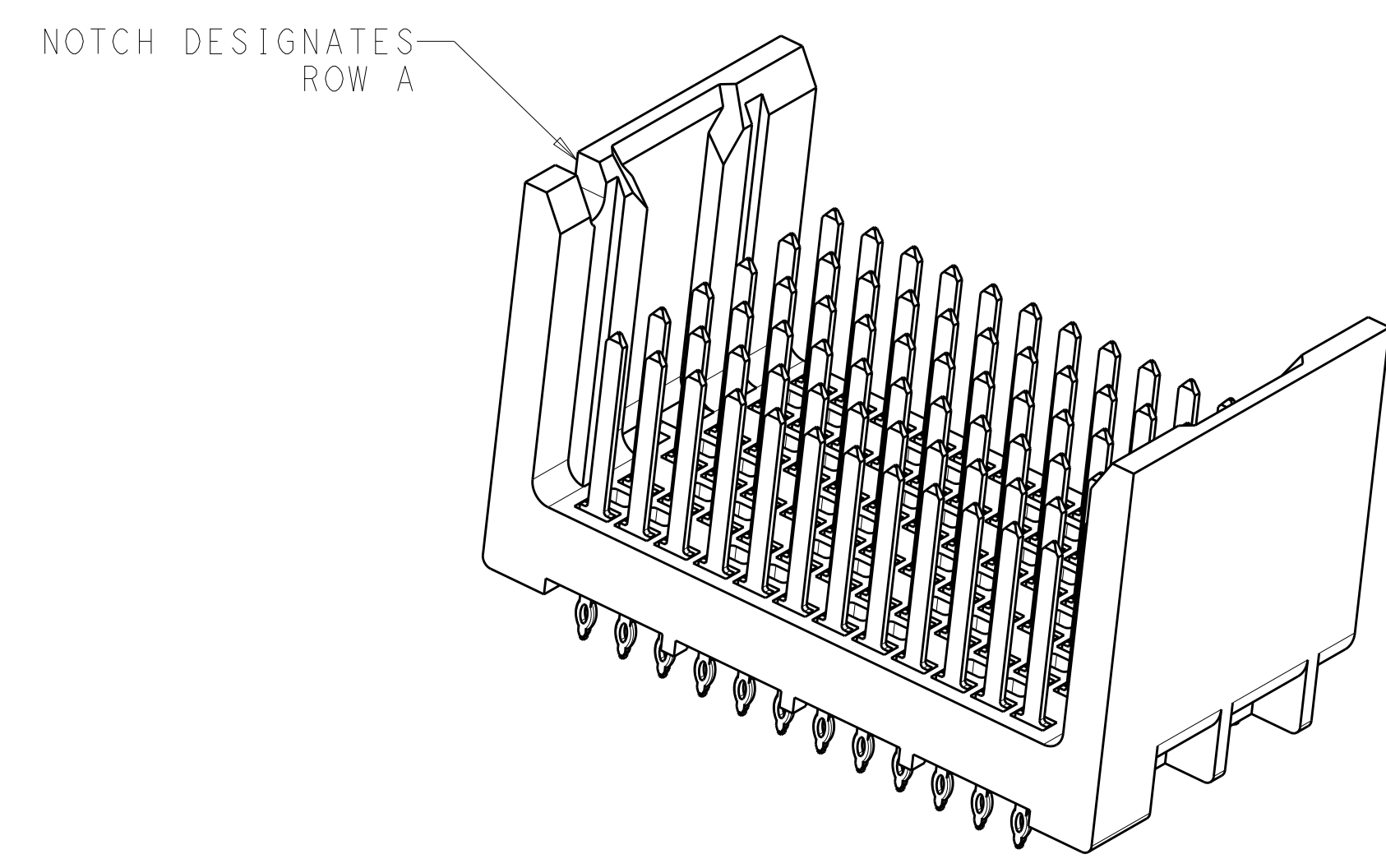
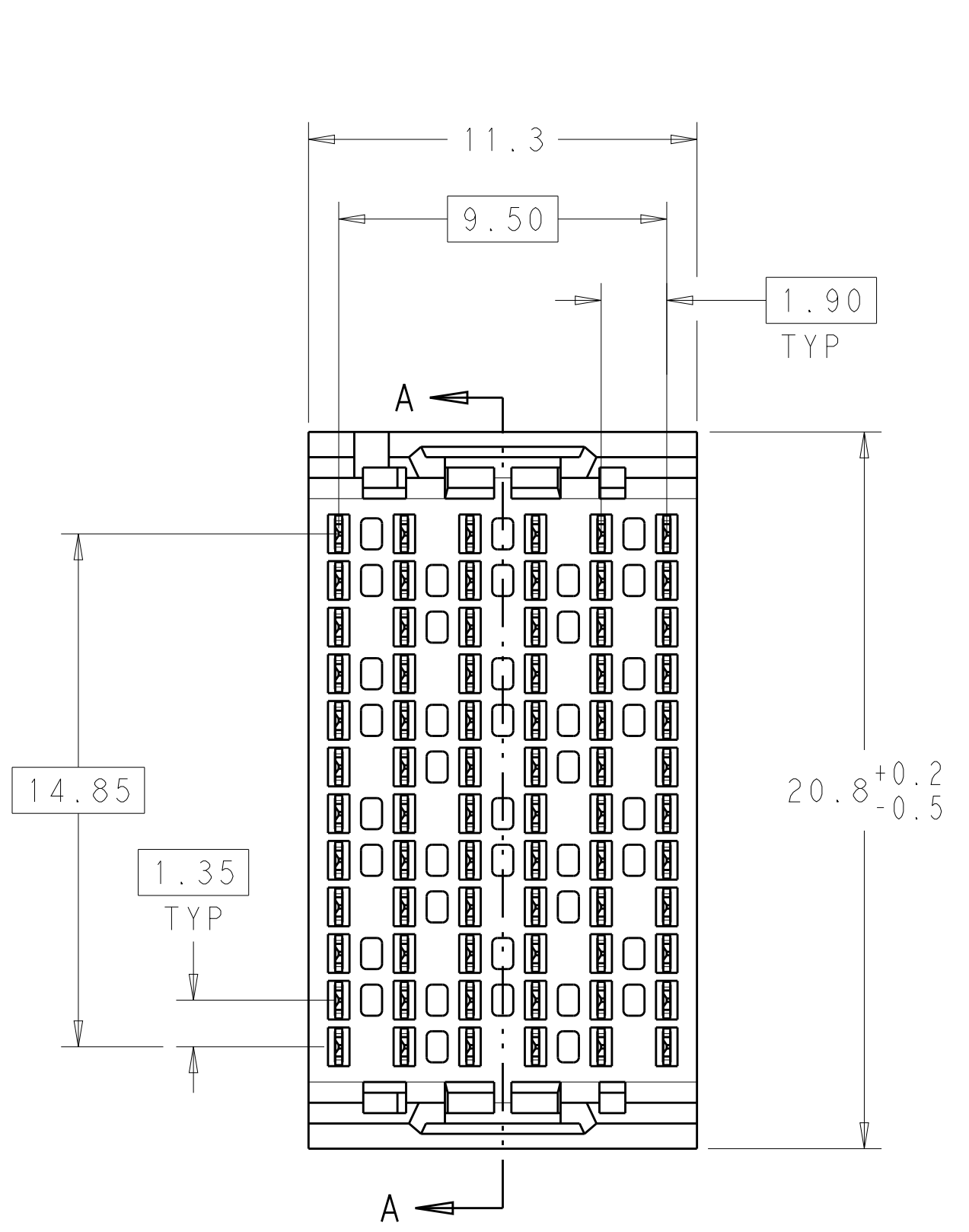
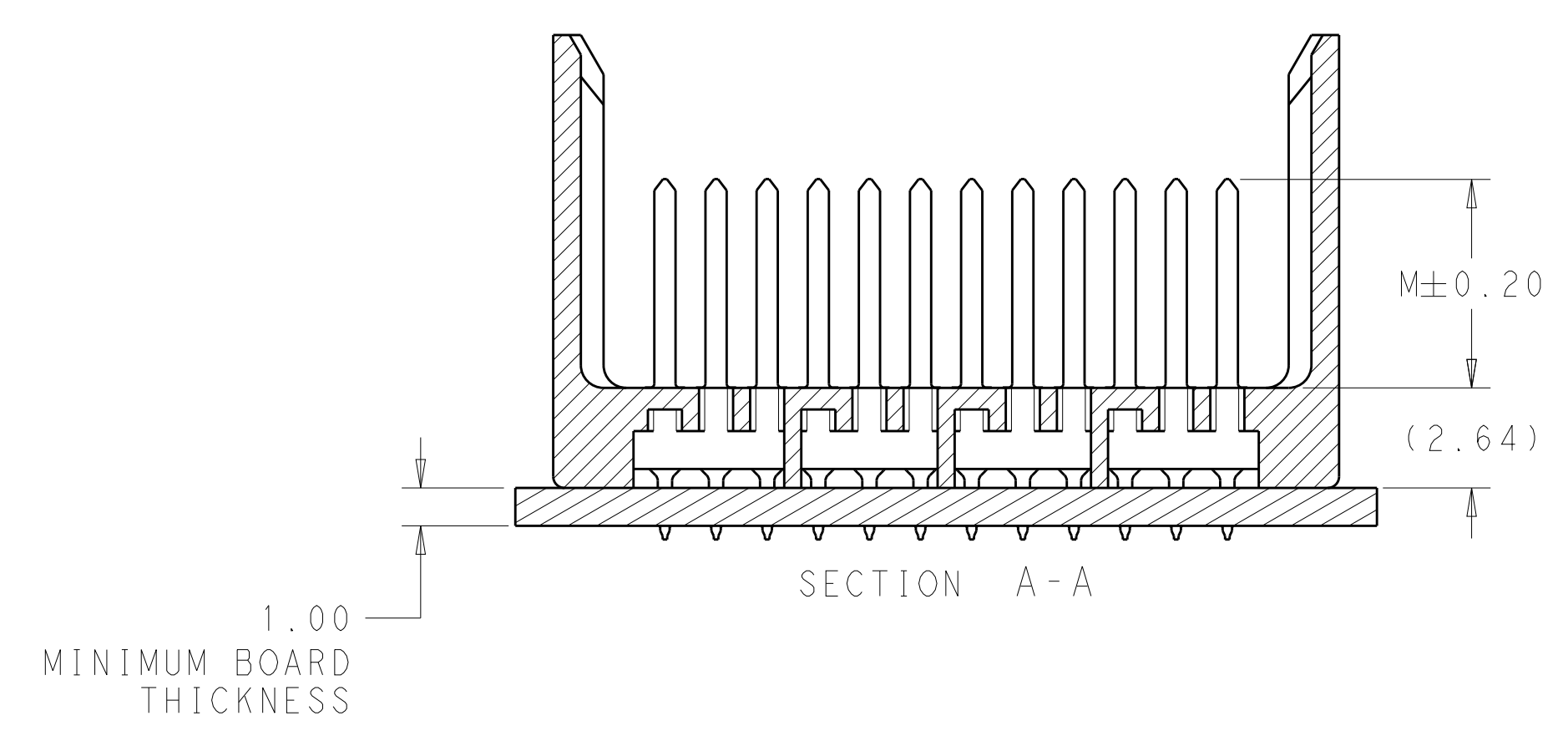
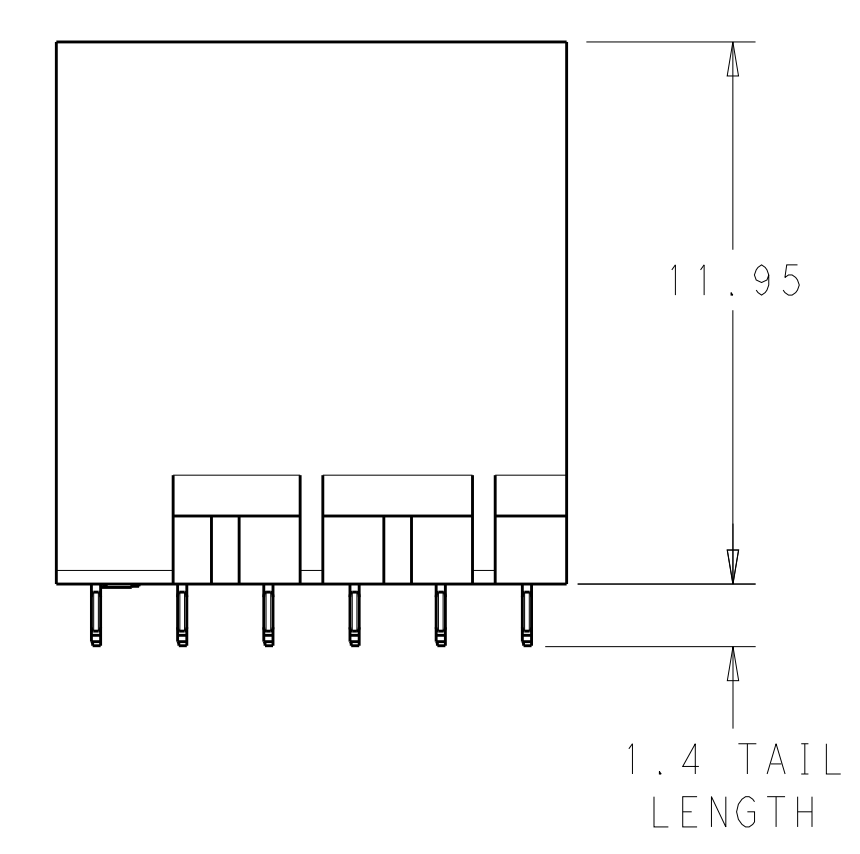
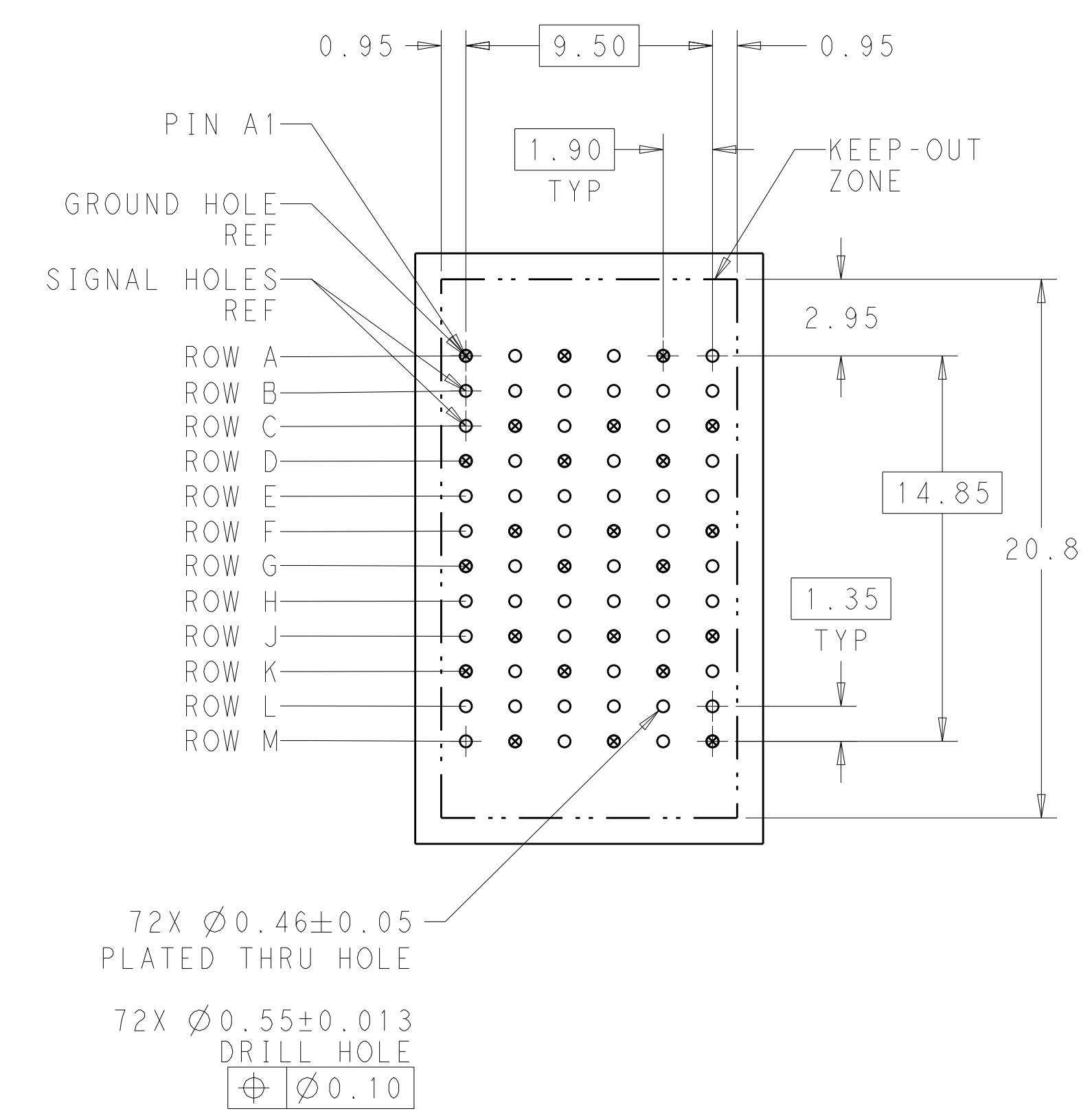


| LOC | DIST | REVISIONS                 |           |     |      |
|-----|------|---------------------------|-----------|-----|------|
| P   | LTN  | DESCRIPTION               | DATE      | DWN | APVD |
| A1  |      | REVISED PER ECO-15-001494 | 06FEB2015 | AP  | DD   |



1 MATERIAL:  
HOUSING: LCP, GLASS FILLED, UL94V-0.  
TERMINALS: HIGH PERFORMANCE COPPER ALLOY.

2 FINISH:  
30μ" MIN GOLD IN CONTACT AREA. SELECTIVE TIN ON PCB TAILS, NICKEL OVERALL.



UNGUIDED BACKPLANE HOLE PATTERN (CONNECTOR SIDE)

|   |  |  |  |
|---|--|--|--|
| THIS DRAWING IS A CONTROLLED DOCUMENT.                                  |  | DWN: R. GRZYBOWSKI 31MAY2011                         | TE Connectivity  |
| DIMENSIONS: mm  |  | CHK: J. EARY 31MAY2011                               |  |
| TOLERANCES UNLESS OTHERWISE SPECIFIED:                                  |  | APVD: J. EARY 31MAY2011                              | NAME: IMPACT, 4 PAIR, 6 COLUMN, HEADER<br>PRODUCT SPEC: UNGUIDED, OPEN END WALL<br>APPLICATION SPEC: SIGNAL MODULE, 0.46 PTH |
| 0 PLC ±<br>1 PLC ±0.25<br>2 PLC ±0.13<br>3 PLC ±<br>4 PLC ±<br>ANGLES ± |  | SIZE: A1<br>CAGE CODE: 2149982<br>DRAWING NO: 100779 |  |
| MATERIAL: SEE TABLE   |  | WEIGHT: -  | RESTRICTED TO: -   |
| FINISH: SEE TABLE   |  | CUSTOMER DRAWING                                     | SCALE: 6:1 SHEET 1 OF 2 REV: A1  |

THIS DRAWING IS UNPUBLISHED. RELEASED FOR PUBLICATION 20  
 © COPYRIGHT 20 BY - ALL RIGHTS RESERVED.

| LOC | DIST | REVISIONS |     |             |      |     |      |
|-----|------|-----------|-----|-------------|------|-----|------|
|     |      | P         | LTN | DESCRIPTION | DATE | DWN | APVD |
| AD  | 00   | -         |     | SEE SHEET 1 | -    | -   | -    |
|     |      |           |     |             |      |     |      |
|     |      |           |     |             |      |     |      |

| FINISH      | DIM M | PART NUMBER |
|-------------|-------|-------------|
| $\triangle$ | 5.5   | 2149982-3   |
| $\triangle$ | 4.9   | 2149982-2   |
| $\triangle$ | 4.5   | 2149982-1   |

REFER TO WWW.TE.COM  
FOR PRODUCT AVAILABILITY

|   |  |                                   |  |
|---|--|-----------------------------------|--|
| THIS DRAWING IS A CONTROLLED DOCUMENT.  |  | DWN<br>R. GRZYBOWSKI<br>31MAY2011 |  |
| DIMENSIONS:<br>mm   |  | CHK<br>J. EARY<br>31MAY2011       |  |
| TOLERANCES UNLESS OTHERWISE SPECIFIED:<br>0 PLC ±<br>1 PLC ±0.25<br>2 PLC ±0.13<br>3 PLC ±<br>4 PLC ±<br>ANGLES ± |  | APVD<br>J. EARY<br>31MAY2011      | NAME<br>IMPACT, 4 PAIR, 6 COLUMN, HEADER<br>UNGUIDED, OPEN END WALL<br>SIGNAL MODULE, 0.46 PTH |
| MATERIAL<br>-   |  | FINISH<br>SEE TABLE               | SIZE<br>A100779  |
| CUSTOMER DRAWING  |  | WEIGHT<br>-                       | CAGE CODE<br>2149982   |
| SCALE<br>5:1  |  | SHEET<br>2                        | OF<br>2  |
| REV<br>A1   |  | RESTRICTED TO                     |  |