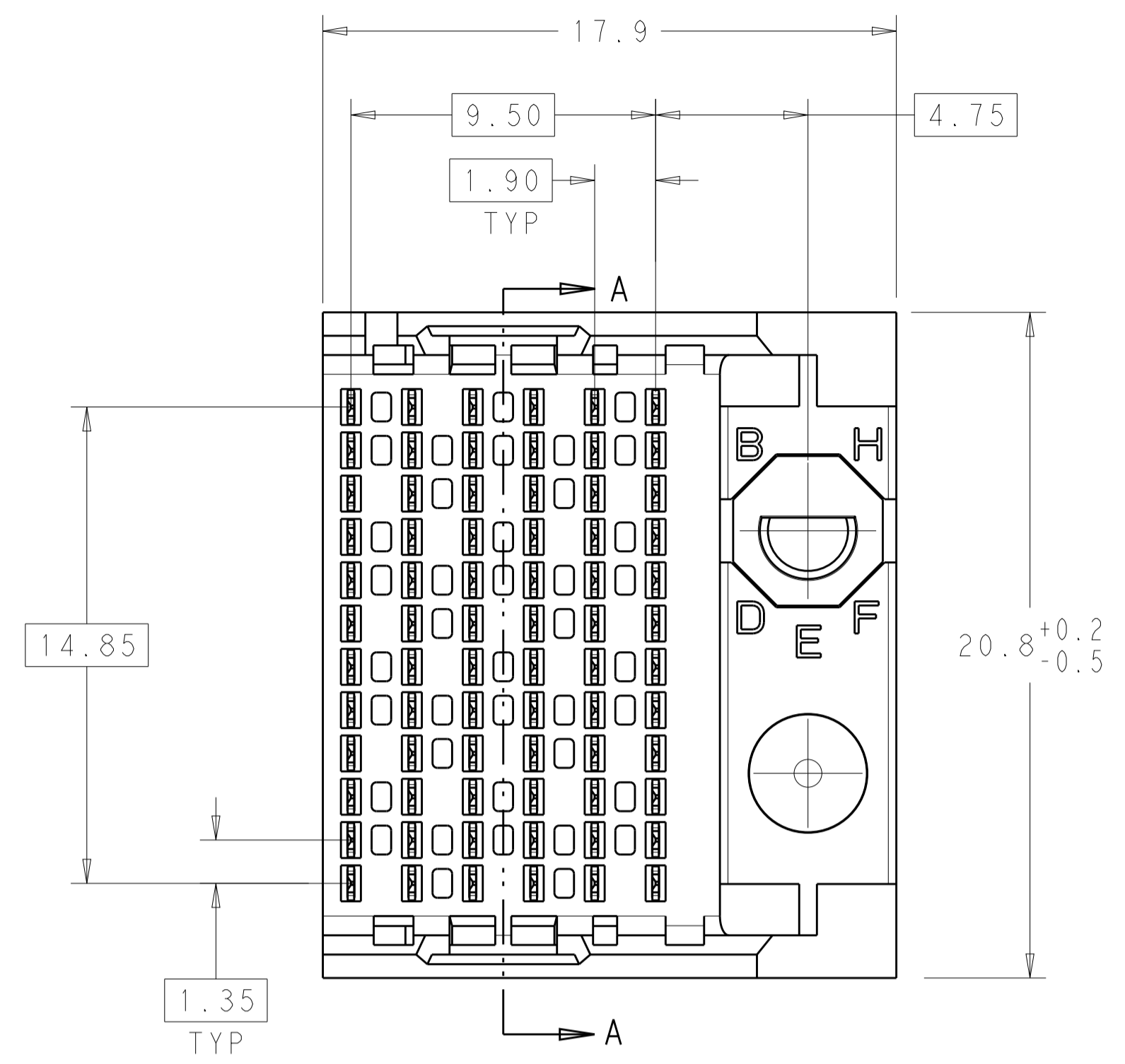
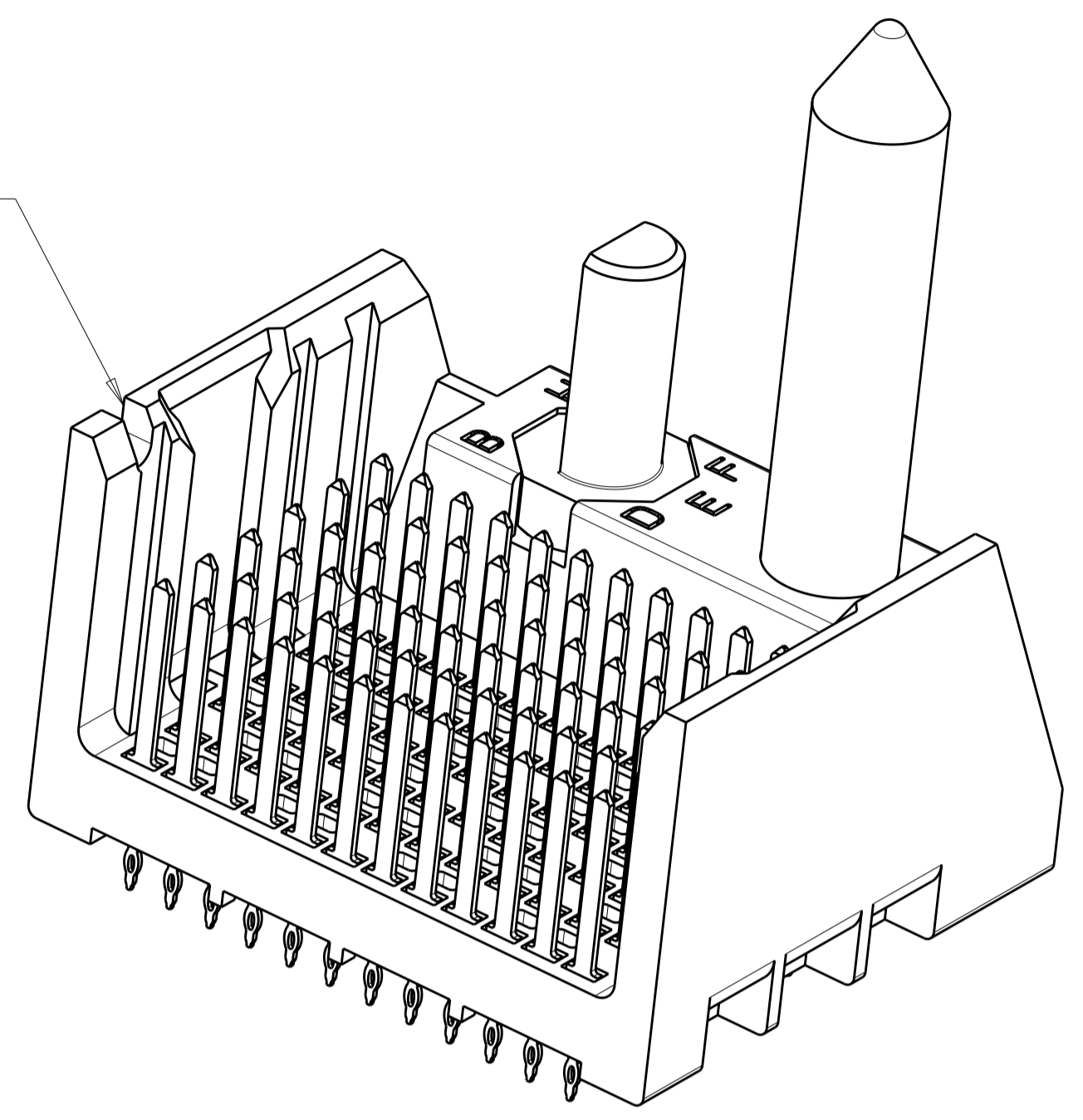


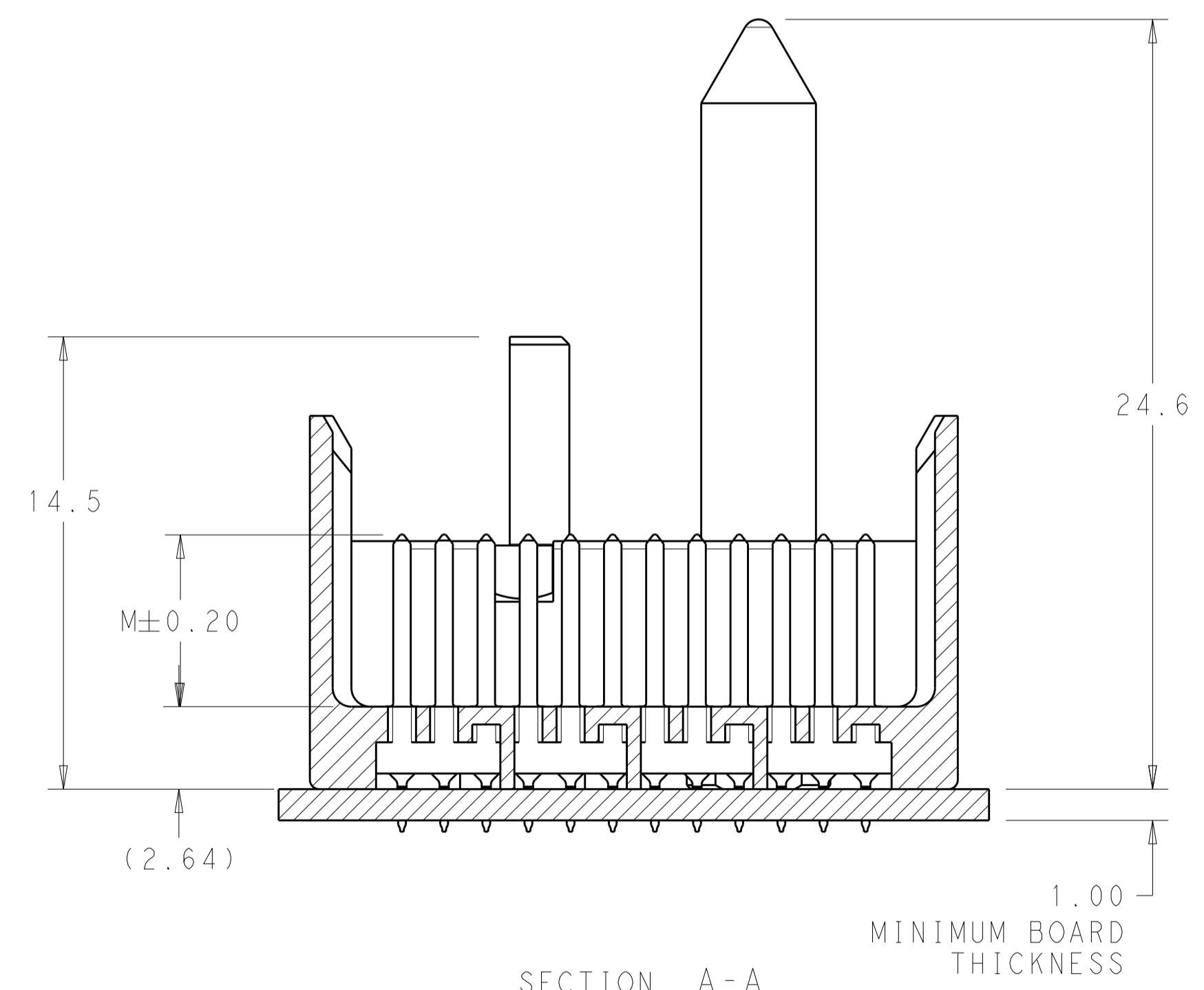
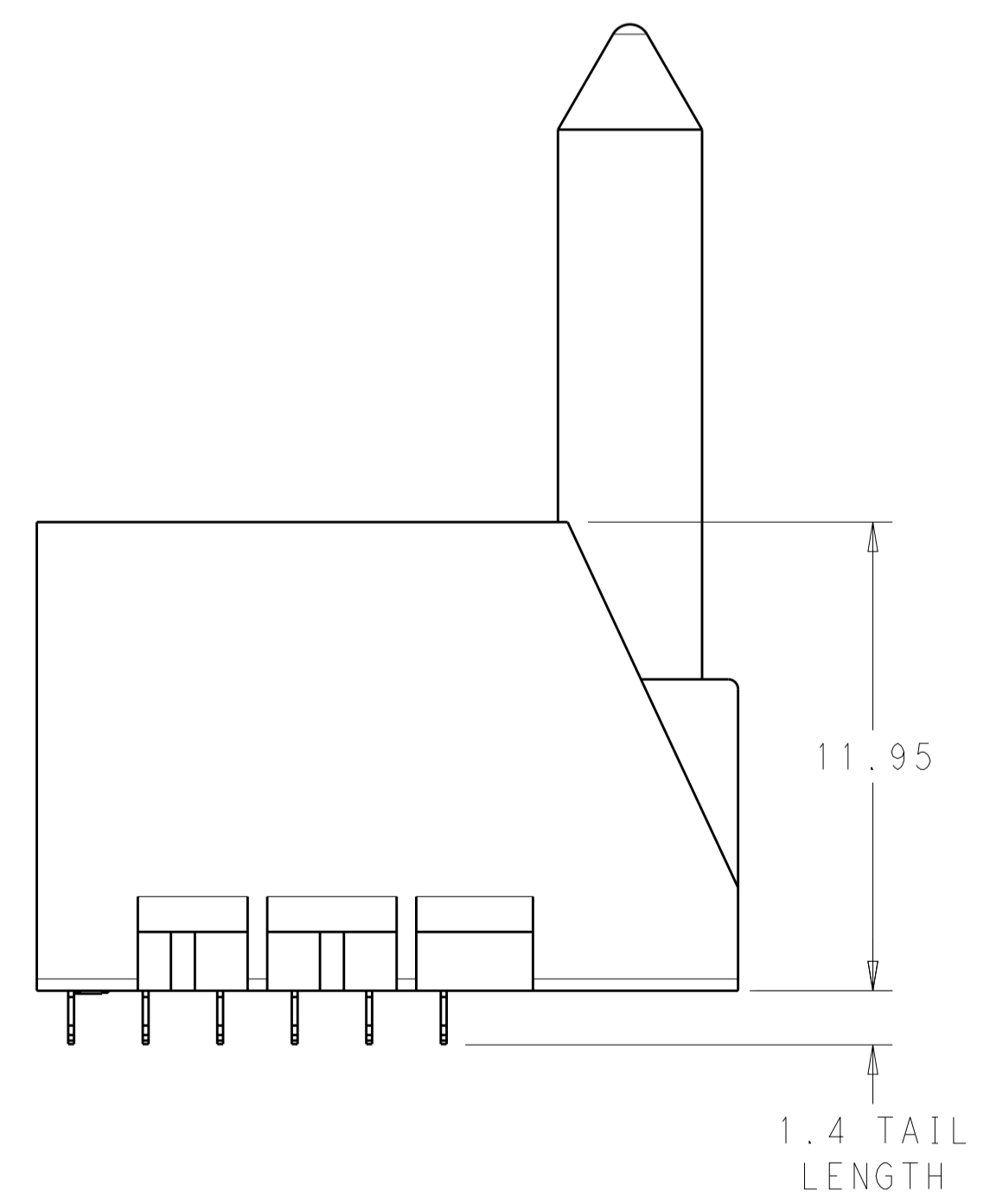
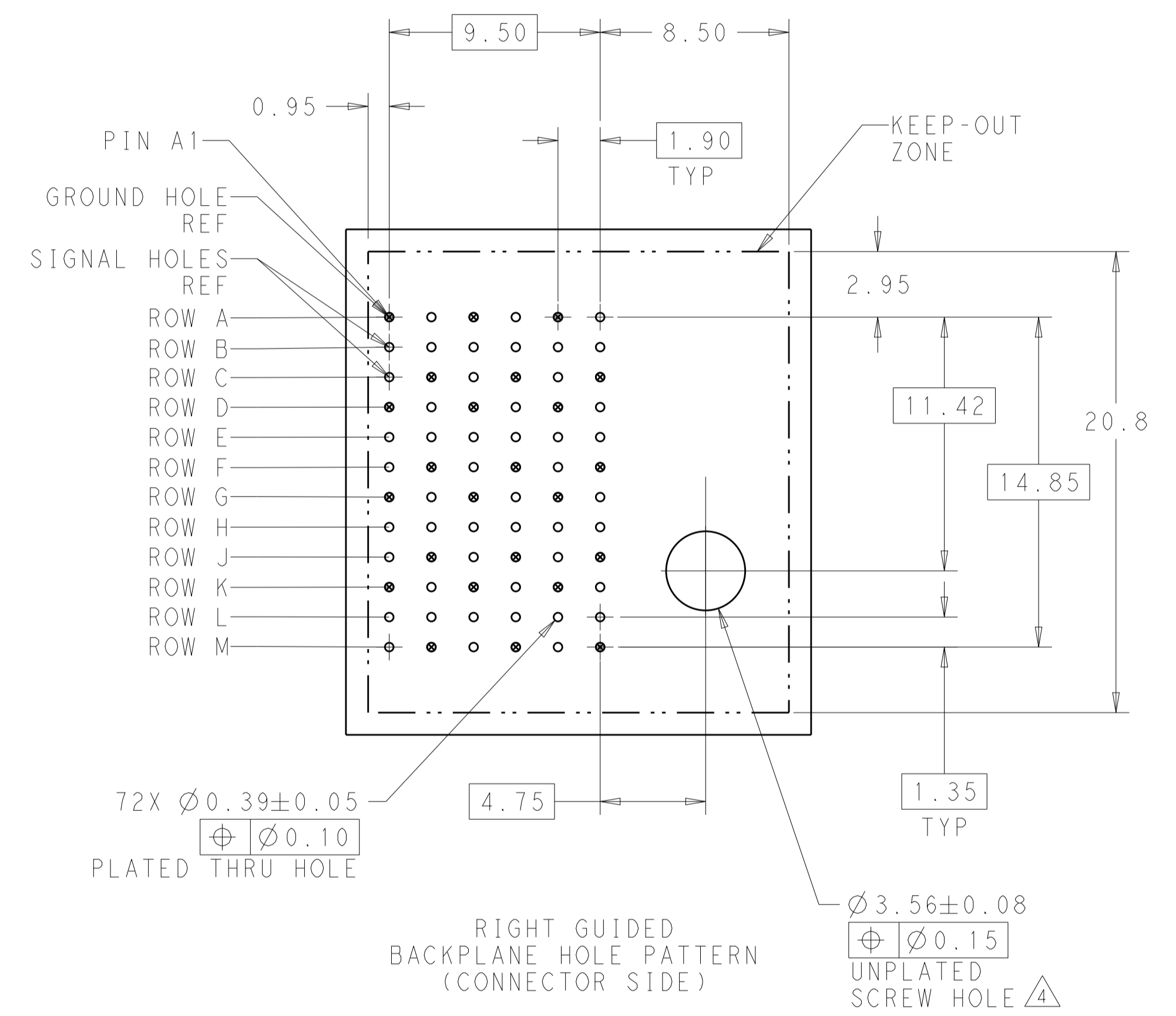
LOC		DIST		REVISIONS			
AD	00	P	LTN	DESCRIPTION	DATE	DWN	APVD
		B1		REVISED PER ECO-15-001494	06FEB2015	AP	DD



NOTCH DESIGNATES ROW A



- △ MATERIAL:
HOUSING: LCP, GLASS FILLED, UL94V-0.
TERMINALS: HIGH PERFORMANCE COPPER ALLOY.
- △ FINISH:
30μ" MIN GOLD IN CONTACT AREA. SELECTIVE TIN ON PCB TAILS, NICKEL OVERALL.
- 3. SCREWS PACKAGED IN END OF PACKAGING TUBE.
- △ FOR GROUNDED GUIDE PIN USE $\varnothing 3.56 \pm 0.08$ PTH, $\varnothing 3.66$ DRILL, AND $\varnothing 6.5$ PAD.
- 5. KEYING PIN SHOWN IN POSITION A, SEE KEYING CHART ON SHEET 2 FOR OTHER POSITIONS.



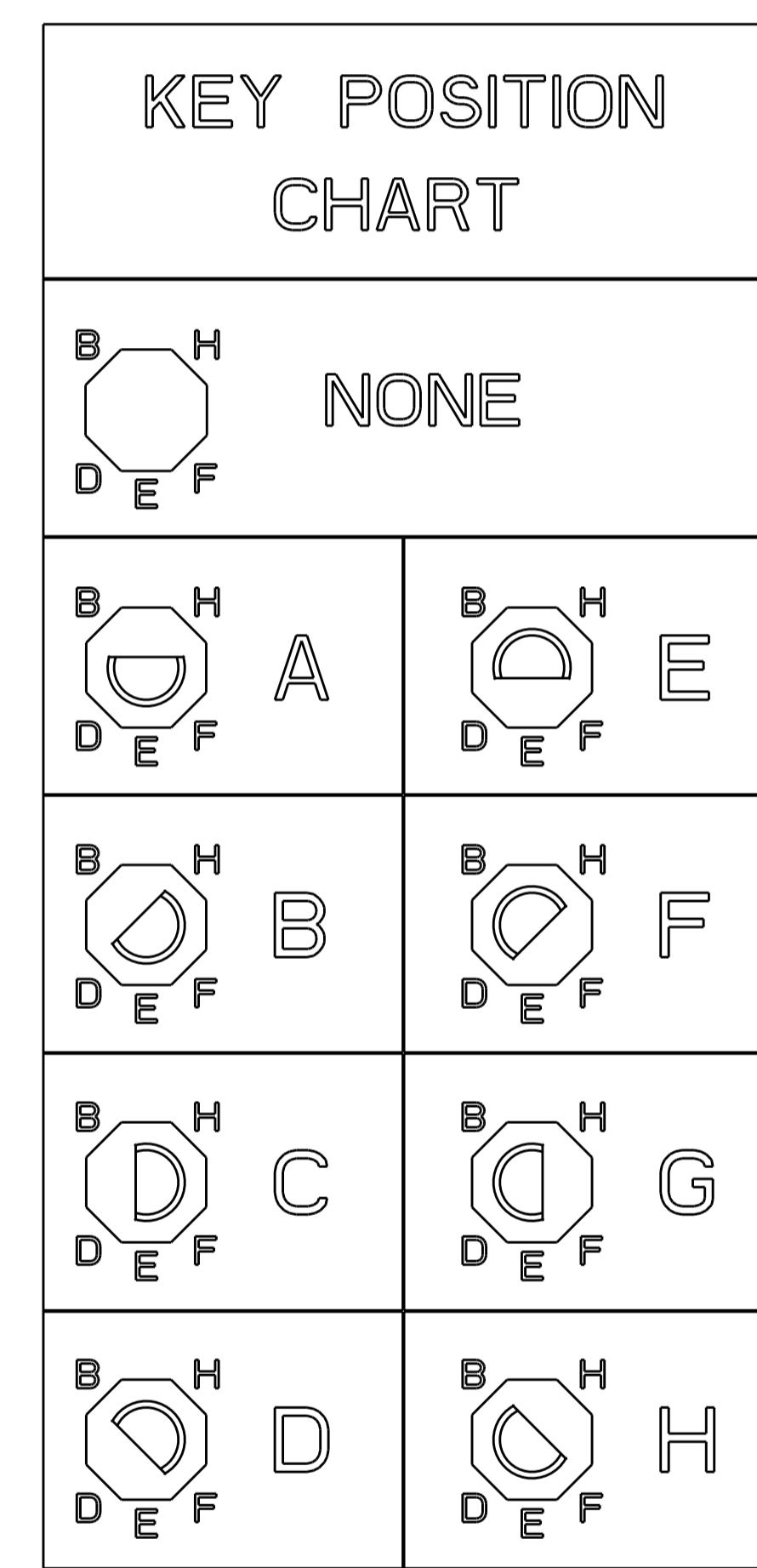
SECTION A-A

THIS DRAWING IS A CONTROLLED DOCUMENT.		DWN R. GRZYBOWSKI	28APR2011	 TE Connectivity
DIMENSIONS:		CHK J. EARY	28APR2011	
mm	TOLERANCES UNLESS OTHERWISE SPECIFIED:	APVD J. EARY	28APR2011	NAME IMPACT, 4 PAIR, 6 COLUMN, HEADER RIGHT GUIDED, OPEN END WALL SIGNAL MODULE, 0.39 PTH
0 PLC ± 1 PLC ±0.25 2 PLC ±0.13 3 PLC ± 4 PLC ± ANGLES ±	SEE TABLE	PRODUCT SPEC APPLICATION SPEC	SIZE CAGE CODE DRAWING NO A100779C=2149980	
MATERIAL	FINISH	WEIGHT	CUSTOMER DRAWING	RESTRICTED TO
SCALE 6:1			SHEET 1 OF 2	REV B1

LOC	DIST	REVISIONS			
		REV	DATE	BY	APPD
AD	00	-	SEE SHEET 1	-	-

	H	5.5	8-2149980-3
	H	4.9	8-2149980-2
	H	4.5	8-2149980-1
	G	5.5	7-2149980-3
	G	4.9	7-2149980-2
	G	4.5	7-2149980-1
	F	5.5	6-2149980-3
	F	4.9	6-2149980-2
	F	4.5	6-2149980-1
	E	5.5	5-2149980-3
	E	4.9	5-2149980-2
	E	4.5	5-2149980-1
	D	5.5	4-2149980-3
	D	4.9	4-2149980-2
	D	4.5	4-2149980-1
	C	5.5	3-2149980-3
	C	4.9	3-2149980-2
	C	4.5	3-2149980-1
	B	5.5	2-2149980-3
	B	4.9	2-2149980-2
	B	4.5	2-2149980-1
	A	5.5	1-2149980-3
	A	4.9	1-2149980-2
	A	4.5	1-2149980-1
	-	5.5	2149980-3
	-	4.9	2149980-2
	-	4.5	2149980-1
FINISH	KEY POSITION	DIM M	PART NUMBER

REFER TO WWW.TE.COM
 FOR PRODUCT AVAILABILITY



THIS DRAWING IS A CONTROLLED DOCUMENT.		OWN: R. GRZYBOWSKI 28APR2011	
DIMENSIONS: mm		CHK: J. EARY 28APR2011	
		TOLERANCES UNLESS OTHERWISE SPECIFIED:	NAME: IMPACT, 4 PAIR, 6 COLUMN, HEADER RIGHT GUIDED, OPEN END WALL SIGNAL MODULE, 0.39 PTH
0 PLC ± 1 PLC ±0.25 2 PLC ±0.13 3 PLC ± 4 PLC ± ANGLES ± FINISH SEE TABLE		APVD: J. EARY 28APR2011	PRODUCT SPEC
MATERIAL: -		APPLICATION SPEC	SIZE: A100779C=2149980
		WEIGHT: -	RESTRICTED TO: -
		CUSTOMER DRAWING	SCALE: 5:1 SHEET 2 OF 2 REV: B1