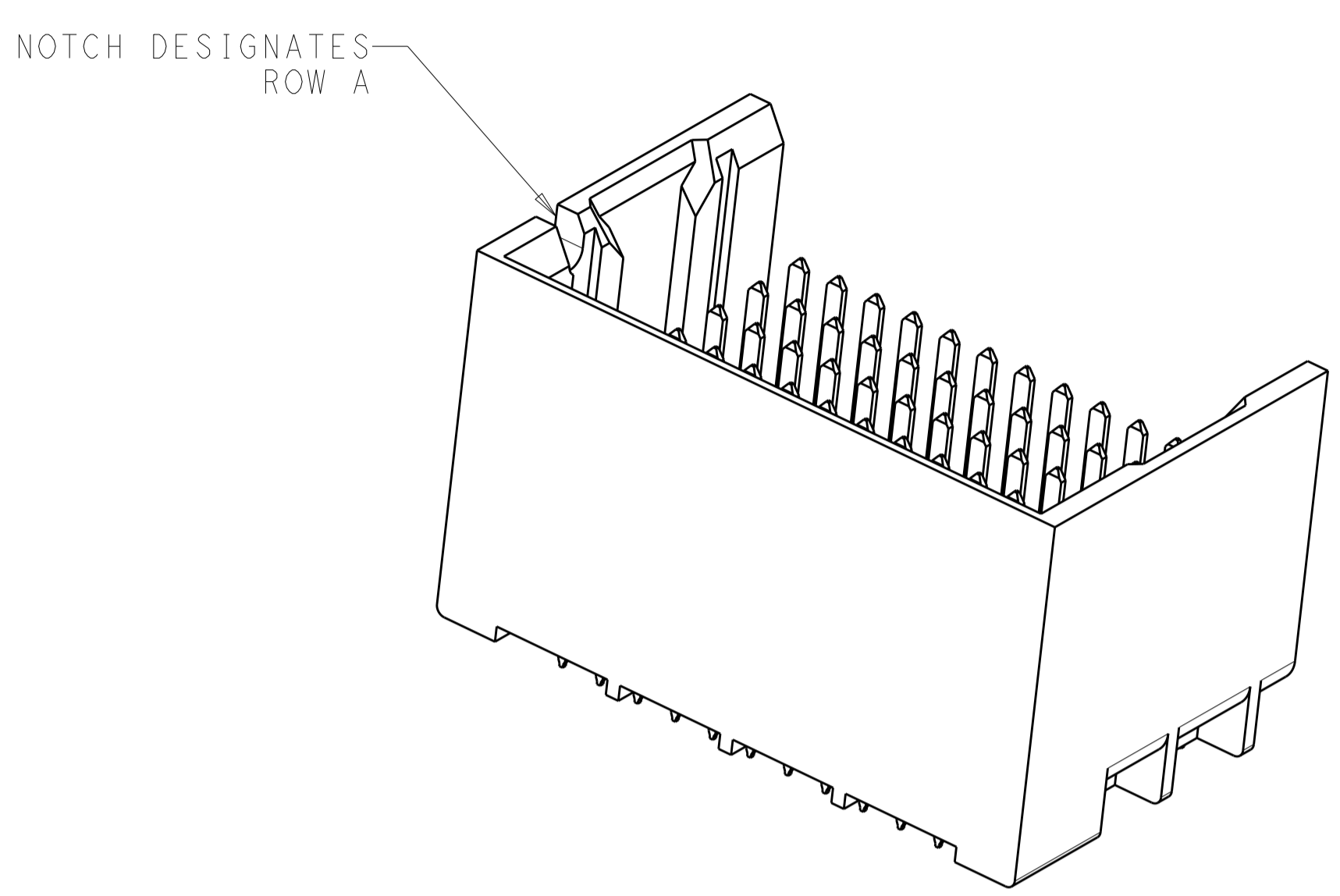
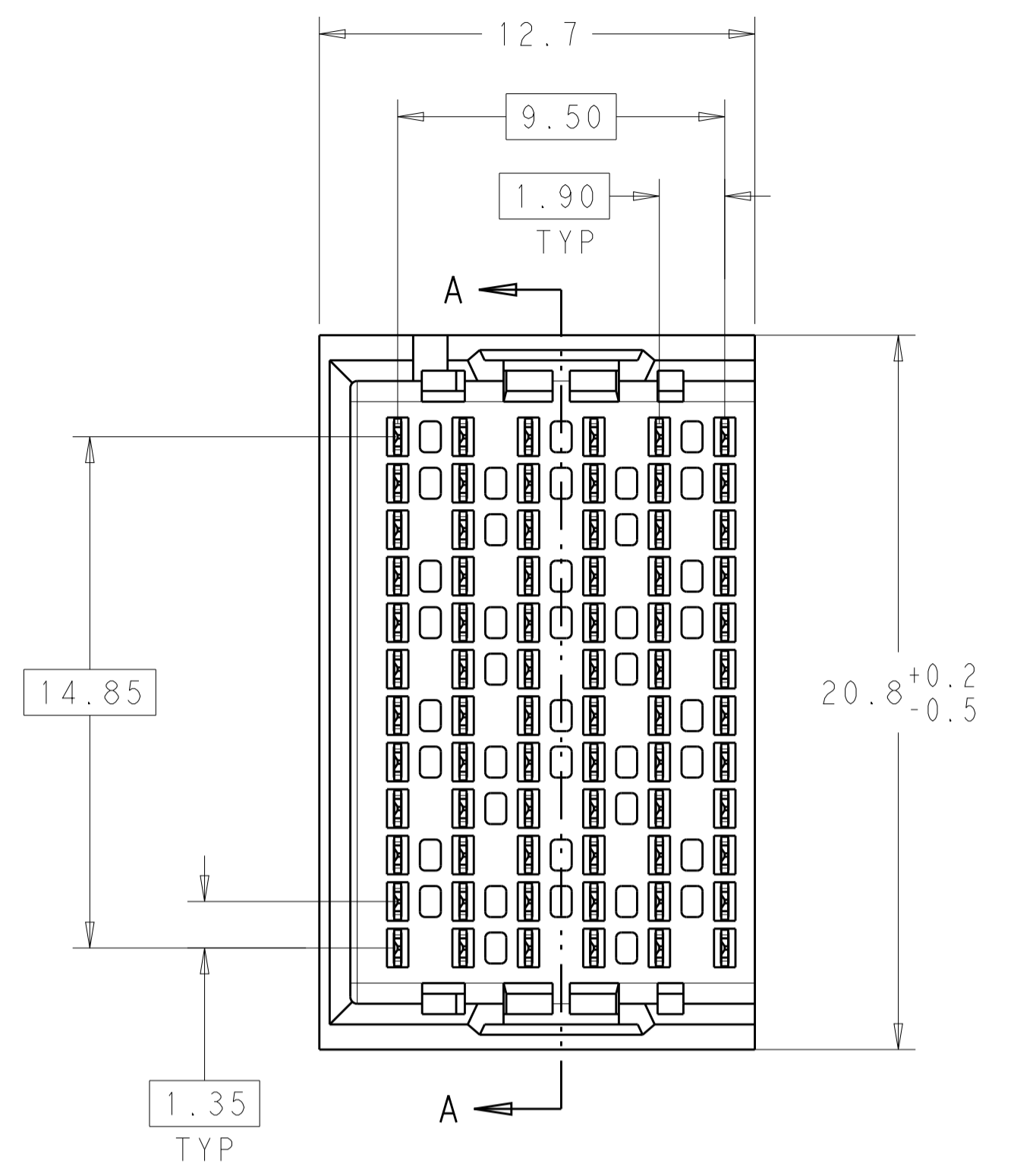
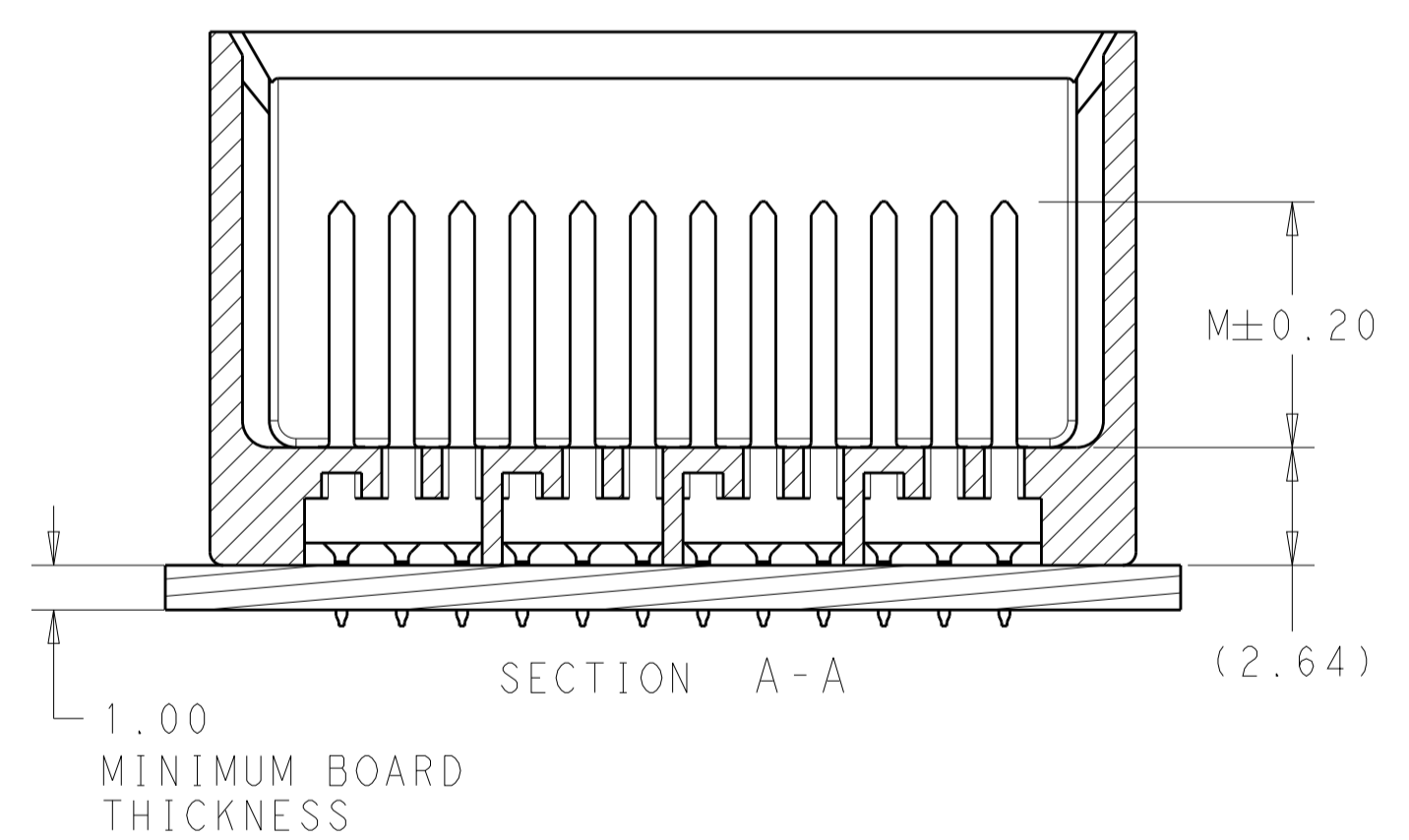
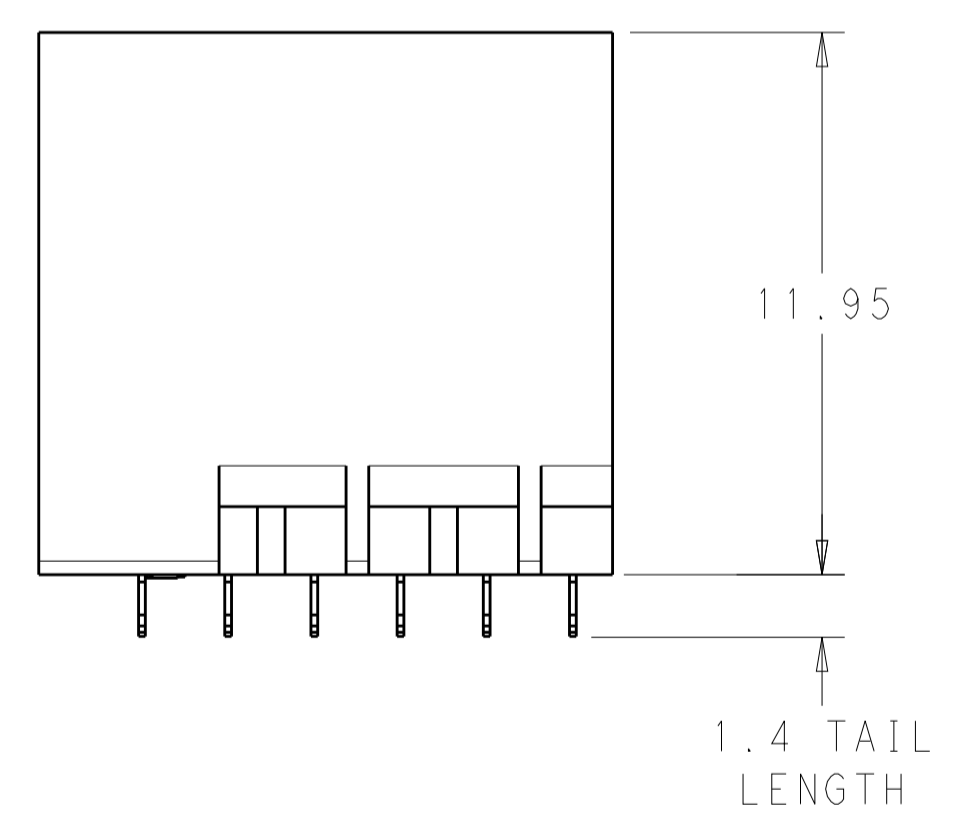
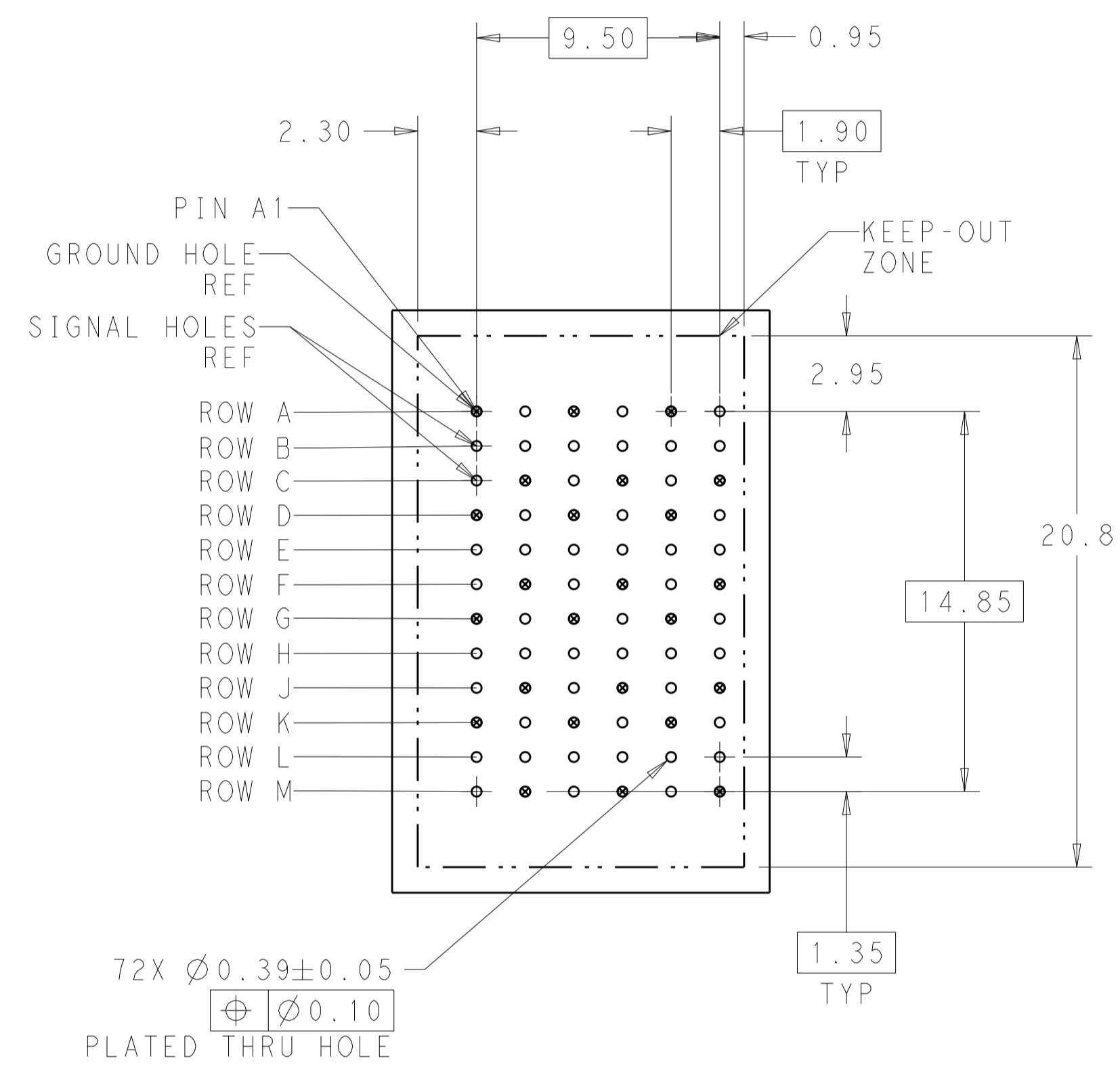


REVISIONS				
P.	LTN	DESCRIPTION	DATE	APVD
B1		REVISED PER ECO-15-001494	06FEB2015	AP DD



⚠ MATERIAL:  
HOUSING: LCP, GLASS FILLED, UL94V-0.  
TERMINALS: HIGH PERFORMANCE COPPER ALLOY.

⚠ FINISH:  
30μ" MIN GOLD IN CONTACT AREA. SELECTIVE TIN ON PCB TAILS, NICKEL OVERALL.



UNGUIDED BACKPLANE HOLE PATTERN (CONNECTOR SIDE)

THIS DRAWING IS A CONTROLLED DOCUMENT.		DWN R. GRZYBOWSKI 27APR2011 CHK J. EARY 27APR2011 APVD J. EARY 27APR2011	TE Connectivity
DIMENSIONS: mm 	TOLERANCES UNLESS OTHERWISE SPECIFIED: 0 PLC ± 1 PLC ±0.25 2 PLC ±0.13 3 PLC ± 4 PLC ± ANGLES ± FINISH SEE TABLE	NAME PRODUCT SPEC APPLICATION SPEC WEIGHT CUSTOMER DRAWING	

THIS DRAWING IS UNPUBLISHED. RELEASED FOR PUBLICATION 20  
 © COPYRIGHT 20 . ALL RIGHTS RESERVED.

REVISIONS					
P.	LTN	DESCRIPTION	DATE	DMN	APVD
-	-	SEE SHEET 1	-	-	-

	5.5	2149975-3
	4.9	2149975-2
	4.5	2149975-1
FINISH	DIM M	PART NUMBER

REFER TO WWW.TE.COM  
FOR PRODUCT AVAILABILITY

THIS DRAWING IS A CONTROLLED DOCUMENT.		DMN R. GRZYBOWSKI 27APR2011	
		CHK J. EARY 27APR2011	
DIMENSIONS:		APVD J. EARY 27APR2011	NAME
mm	TOLERANCES UNLESS OTHERWISE SPECIFIED:	PRODUCT SPEC	IMPACT, 4 PAIR, 6 COLUMN, HEADER UNGUIDED, LEFT END WALL SIGNAL MODULE, 0.39 PTH
	0 PLC ± 1 PLC ±0.25 2 PLC ±0.13 3 PLC ± 4 PLC ±	APPLICATION SPEC	SIZE CAGE CODE DRAWING NO
	ANGLES ±	FINISH	A100779C=2149975
MATERIAL	SEE TABLE	WEIGHT	RESTRICTED TO
		CUSTOMER DRAWING	SCALE 5:1 SHEET 2 OF 2 REV B1