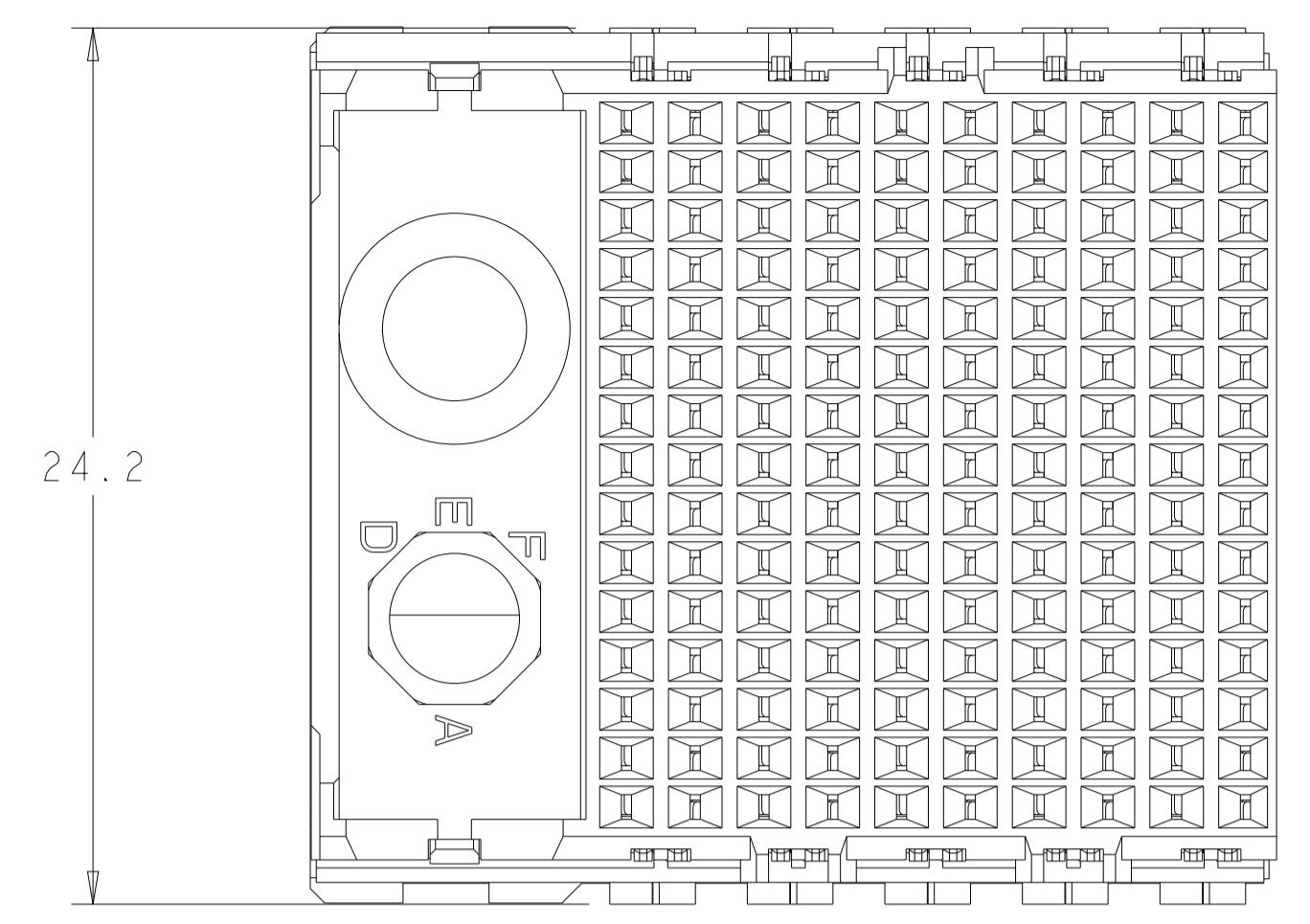
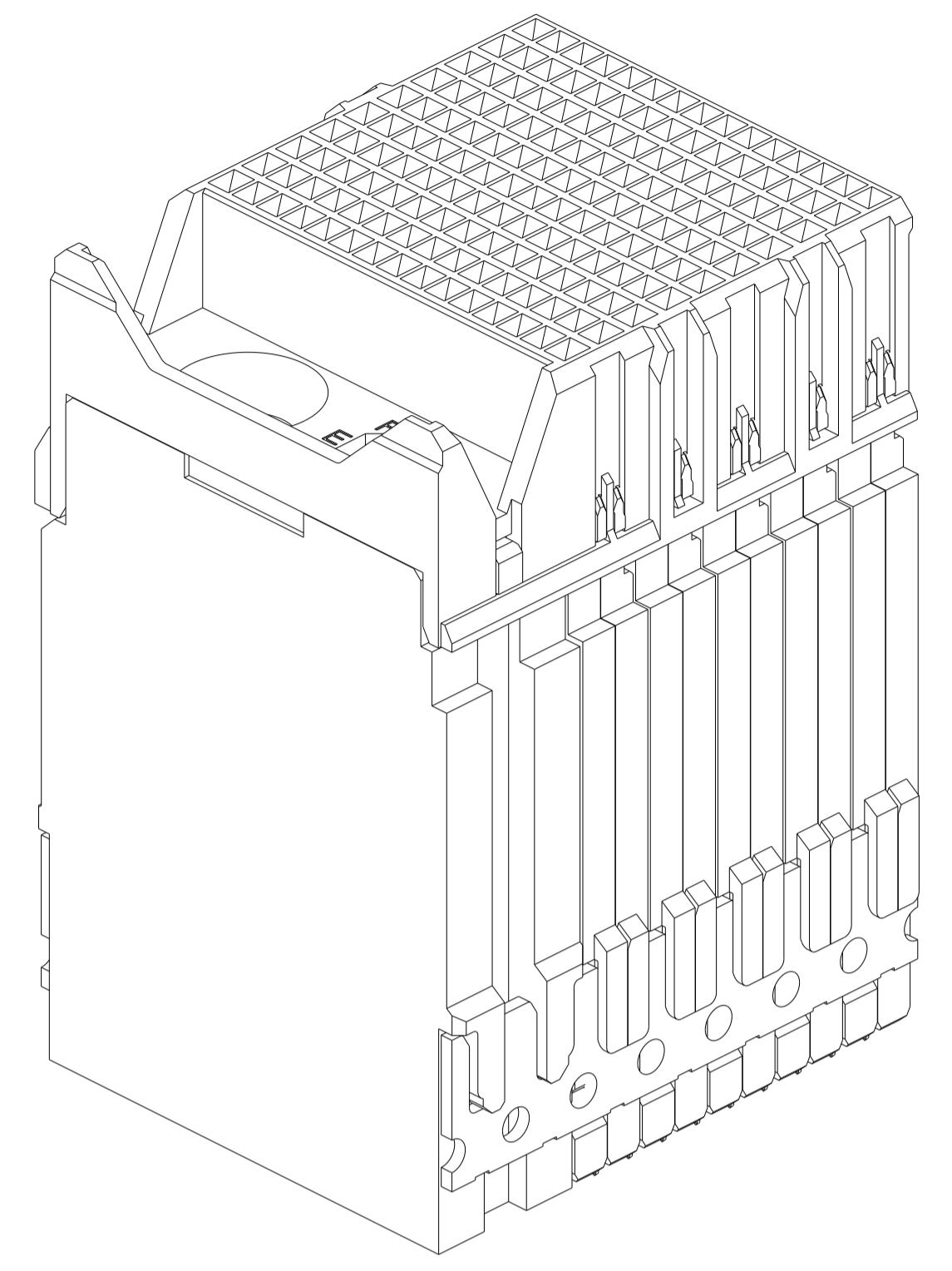


REVISIONS				
P	LTR	DESCRIPTION	DATE	APVD
B		REVISED PER ECO-13-019681	16DEC2013	KH DD
B1		REVISED PER ECN-23-221582	12JUL2023	JG HL

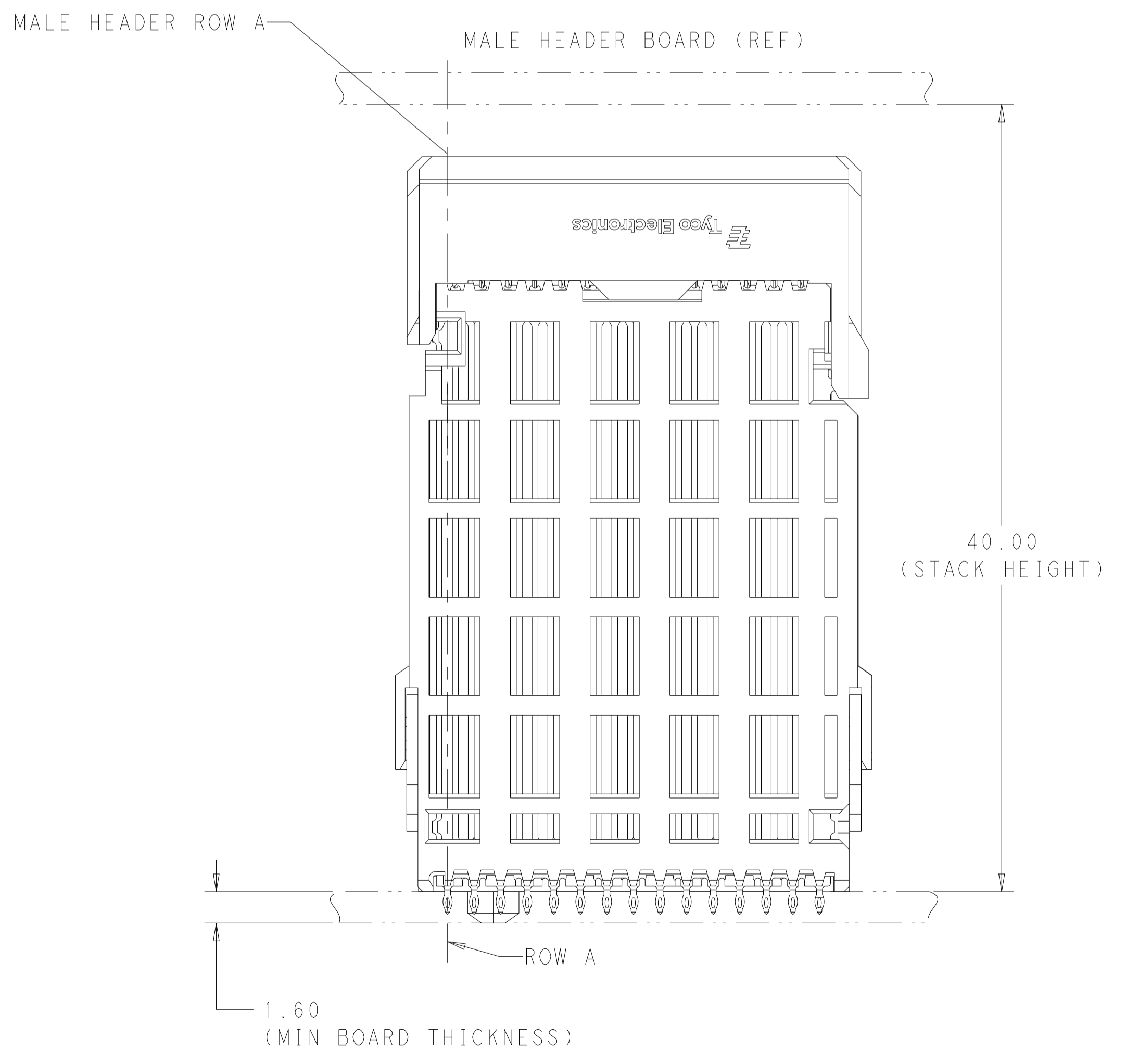
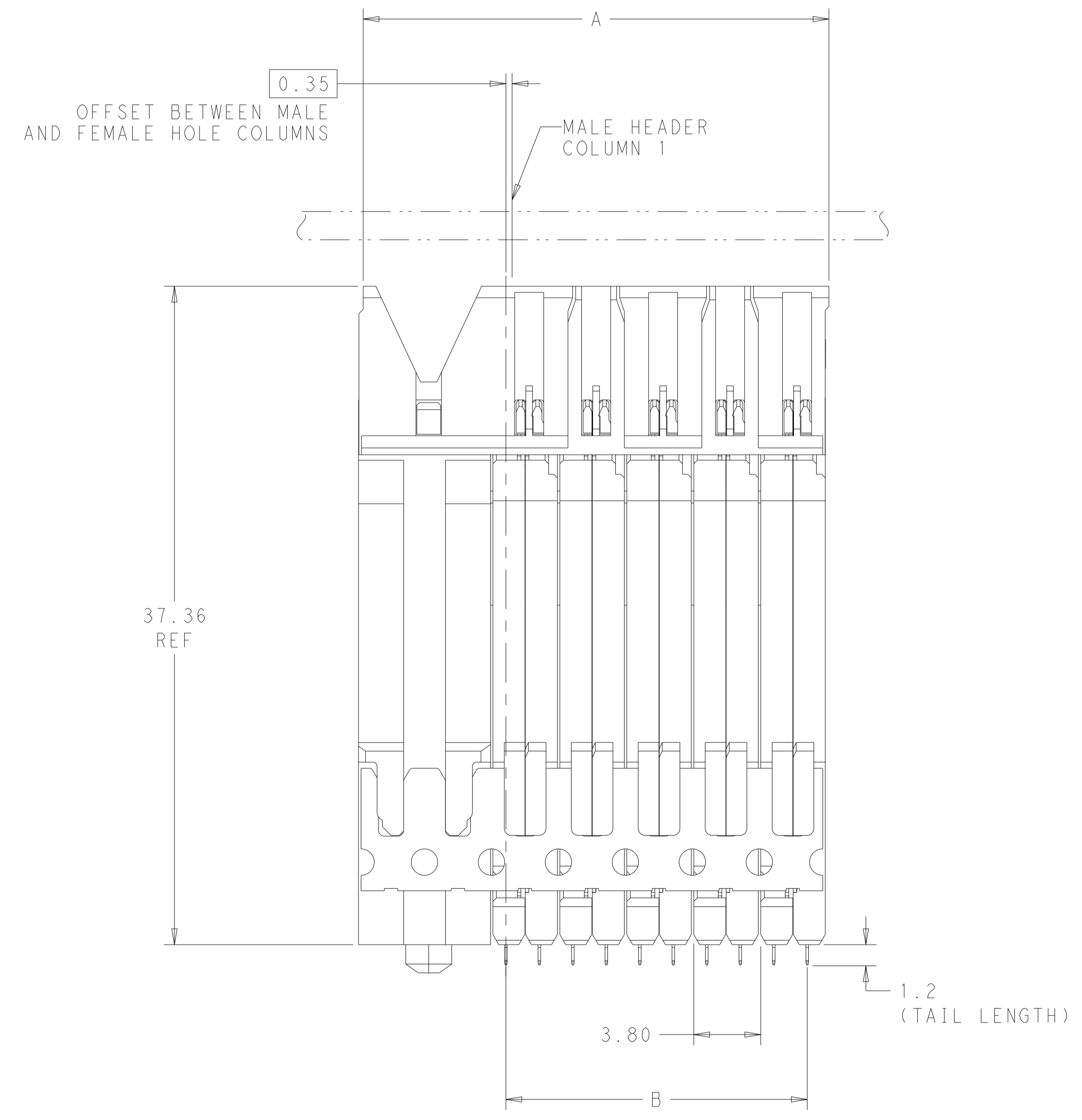


- 1 MATERIAL:  
HOUSING: LCP, GLASS FILLED, UL94V-0.  
TERMINALS: HIGH PERFORMANCE COPPER ALLOY.
- 2 FINISH:  
30μ" SELECTIVE GOLD IN CONTACT AREA. SELECTIVE TIN ON PCB TAILS, NICKEL OVERALL.
- 3. CONNECTORS SUPPLIED WITH MOUNTING SCREW.



SCALE 4:1

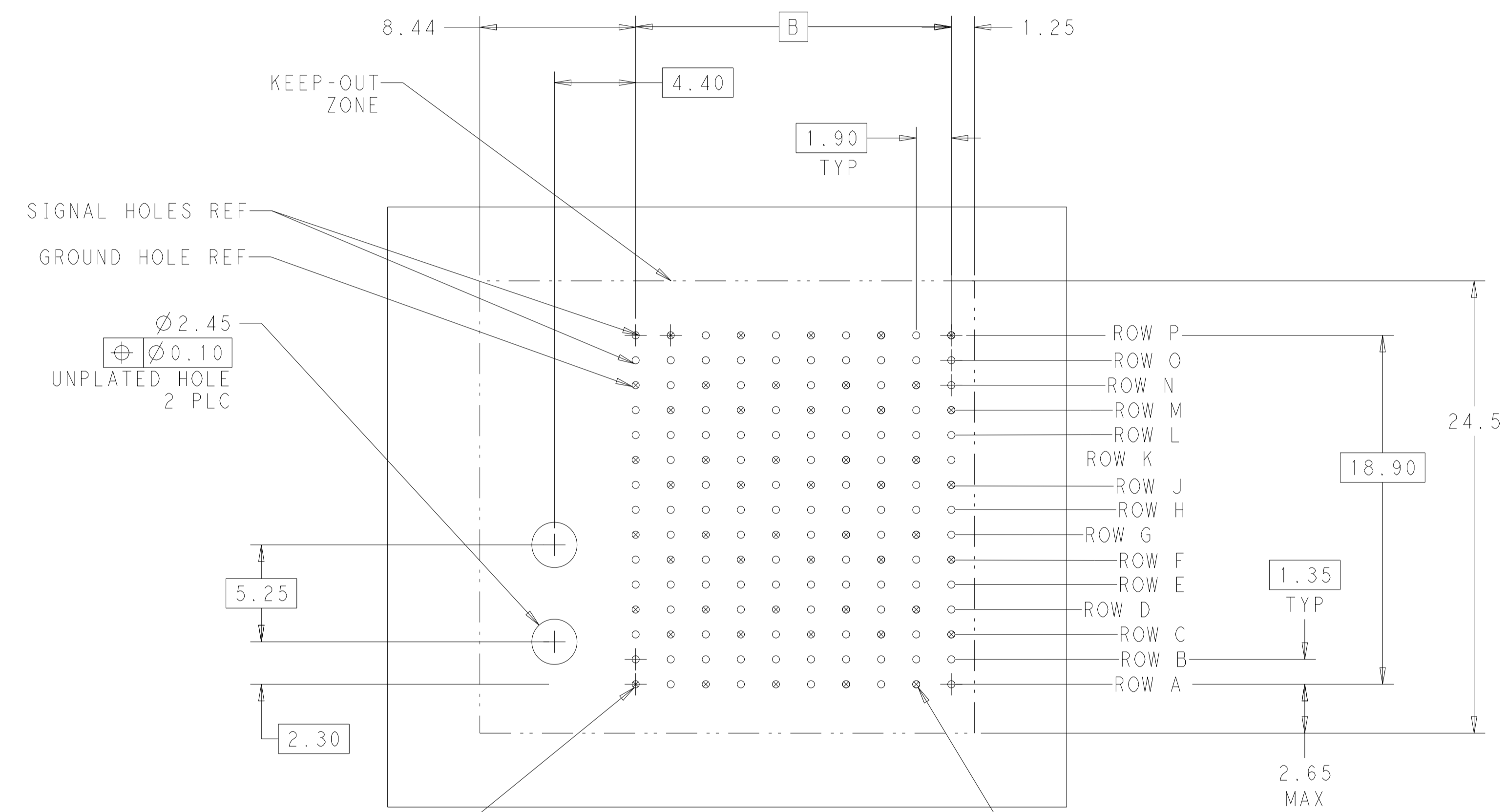
REFER TO WWW.TE.COM FOR PRODUCT AVAILABILITY



THIS DRAWING IS A CONTROLLED DOCUMENT.

DIMENSIONS:	TOLERANCES UNLESS OTHERWISE SPECIFIED:	OWN: KIRAN HOLAL 04OCT2013	
mm	0 PLC ±	CHK: D. DIXON 04OCT2013	
	1 PLC ±0.25	APVD: D. DIXON 04OCT2013	
	2 PLC ±0.10	NAME: IMPACT, 5 PAIR, DAUGHTERCARD, 40mm LEFT GUIDED, SIGNAL MODULE, 0.39 EYELET	
	3 PLC ±	PRODUCT SPEC	
	4 PLC ±	APPLICATION SPEC	
	ANGLES ±1/2°	SIZE: CAGE CODE: DRAWING NO:	RESTRICTED TO:
MATERIAL:	FINISH: SEE TABLE	WEIGHT: -	A100779C=2149906
		Customer Drawing	SCALE: 5:1 SHEET 1 OF 2 REV: B1

REVISIONS				
P	LTN	DESCRIPTION	DATE	APVD
-		SEE SHEET 1	-	-



KEY POSITION CHART	
NONE	
A	E
B	F
C	G
D	H

Ø2.45  
 UNPLATED HOLE  
 2 PLC

150x Ø0.39±0.05  
 PLATED THRU HOLE  
 150x Ø0.48±0.013  
 DRILL HOLE  
 Ø0.10

RECOMMENDED PCB LAYOUT  
 MIN BOARD THICKNESS 1.60

	36.10	45.47	20	2149906-8
	32.30	41.67	18	2149906-7
	28.50	37.87	16	2149906-6
	24.70	34.07	14	2149906-5
	20.90	30.27	12	2149906-4
OBSOLETE	17.10	26.47	10	2149906-3
	13.30	22.67	8	2149906-2
	9.50	18.87	6	2149906-1
	B	A	NUMBER OF COLUMNS	PART NUMBER

THIS DRAWING IS A CONTROLLED DOCUMENT.

DIMENSIONS:	TOLERANCES UNLESS OTHERWISE SPECIFIED:	DWN: KIRAN HOLH 04OCT2013	CHK: D. DIXON 04OCT2013	APVD: D. DIXON 04OCT2013
mm	0 PLC ± 1 PLC ±0.25 2 PLC ±0.10 3 PLC ± 4 PLC ±	NAME: IMPACT, 5 PAIR, DAUGHTERCARD, 40mm LEFT GUIDED, SIGNAL MODULE, 0.39 EYELET		
MATERIAL:	SEE TABLE	SIZE: A1	CAGE CODE: 00779	DRAWING NO: C=2149906
		WEIGHT:	SCALE: 5:1	SHEET: 2 OF 2

Customer Drawing