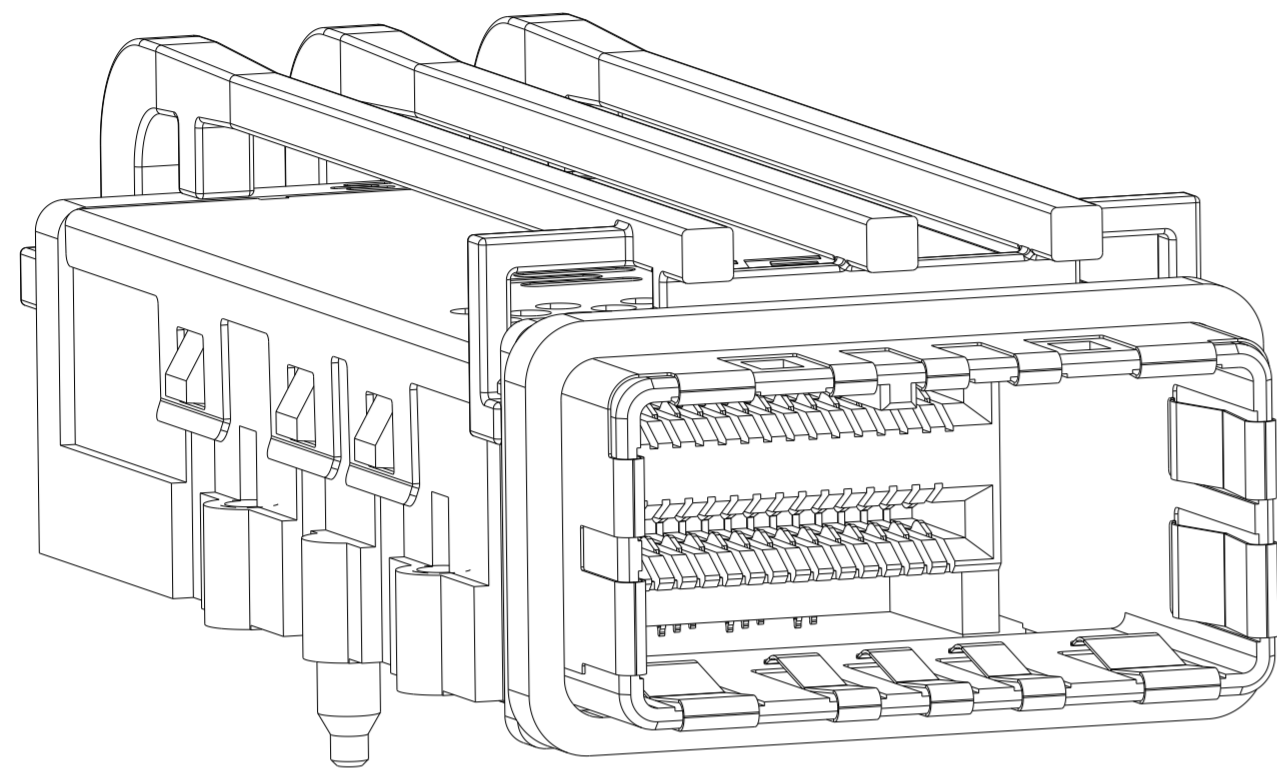
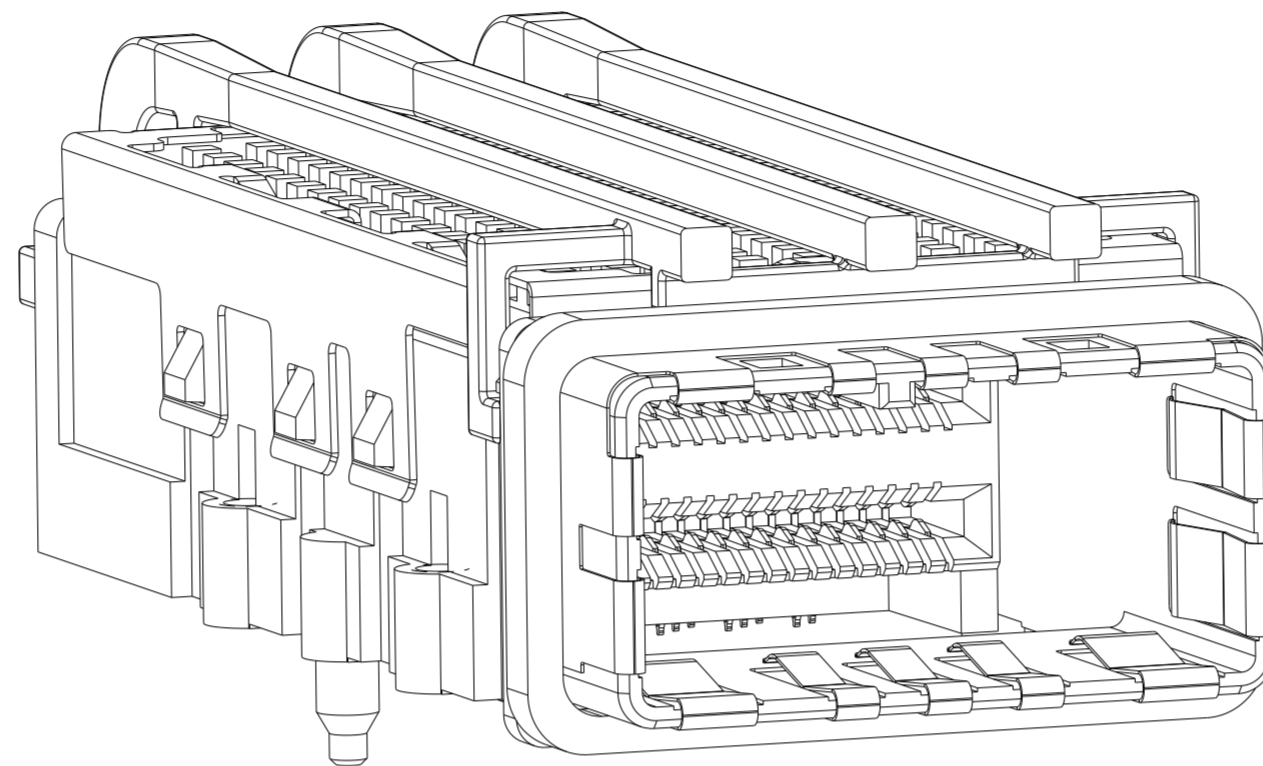


THIS DRAWING IS UNPUBLISHED. RELEASED FOR PUBLICATION 20
 © COPYRIGHT 20 BY - ALL RIGHTS RESERVED.

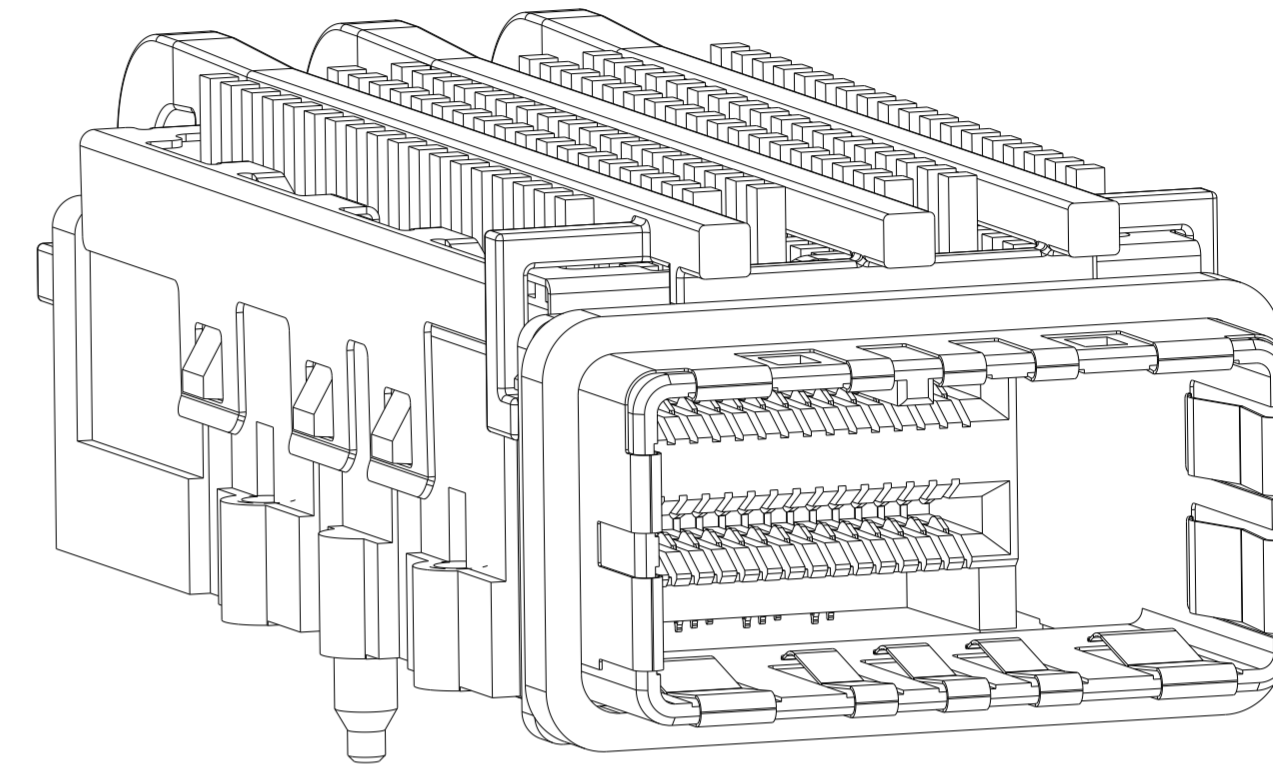
REVISIONS					
P	LTR	DESCRIPTION	DATE	DWN	APVD
A		RELEASED ECO-14-003843	31MAR2014	LAW	SB
A1		REVISED PER ECN-24-264411	06MAY2024	TR	SLB



2149159-1
SCALE 4:1



2149159-3
SCALE 4:1



2149159-5
SCALE 4:1

OBSOLETE	23.5	2149448-2	△3	84 POSITION RECEPTACLE ASSEMBLY WITH LIGHTPIPE AND HEAT SINK	2149159-8
OBSOLETE	23.5	2149448-1	△2	84 POSITION RECEPTACLE ASSEMBLY WITH LIGHTPIPE AND HEAT SINK	2149159-7
OBSOLETE	16.5	2149448-2	△3	84 POSITION RECEPTACLE ASSEMBLY WITH LIGHTPIPE AND HEAT SINK	2149159-6
OBSOLETE	16.5	2149448-1	△2	84 POSITION RECEPTACLE ASSEMBLY WITH LIGHTPIPE AND HEAT SINK	2149159-5
OBSOLETE	14.2	2149448-2	△3	84 POSITION RECEPTACLE ASSEMBLY WITH LIGHTPIPE AND HEAT SINK	2149159-4
OBSOLETE	14.2	2149448-1	△2	84 POSITION RECEPTACLE ASSEMBLY WITH LIGHTPIPE AND HEAT SINK	2149159-3
OBSOLETE	-	2149448-2	△3	884 POSITION RECEPTACLE ASSEMBLY WITH LIGHTPIPE	2149159-2
OBSOLETE	-	2149448-1	△2	84 POSITION RECEPTACLE ASSEMBLY WITH LIGHTPIPE	2149159-1
E		RECEPTACLE HOUSING SUB-ASSEMBLY	FINISH	DESCRIPTION	PART NUMBER

THIS DRAWING IS A CONTROLLED DOCUMENT. DIMENSIONING AND TOLERANCING PER ASME Y14.5M-2009

DIMENSIONS:	TOLERANCES UNLESS OTHERWISE SPECIFIED:
mm	0 PLC ±0.15
	1 PLC ±0.15
	2 PLC ±0.15
	3 PLC ±
	4 PLC ±
	ANGLES ±
	FINISH ±

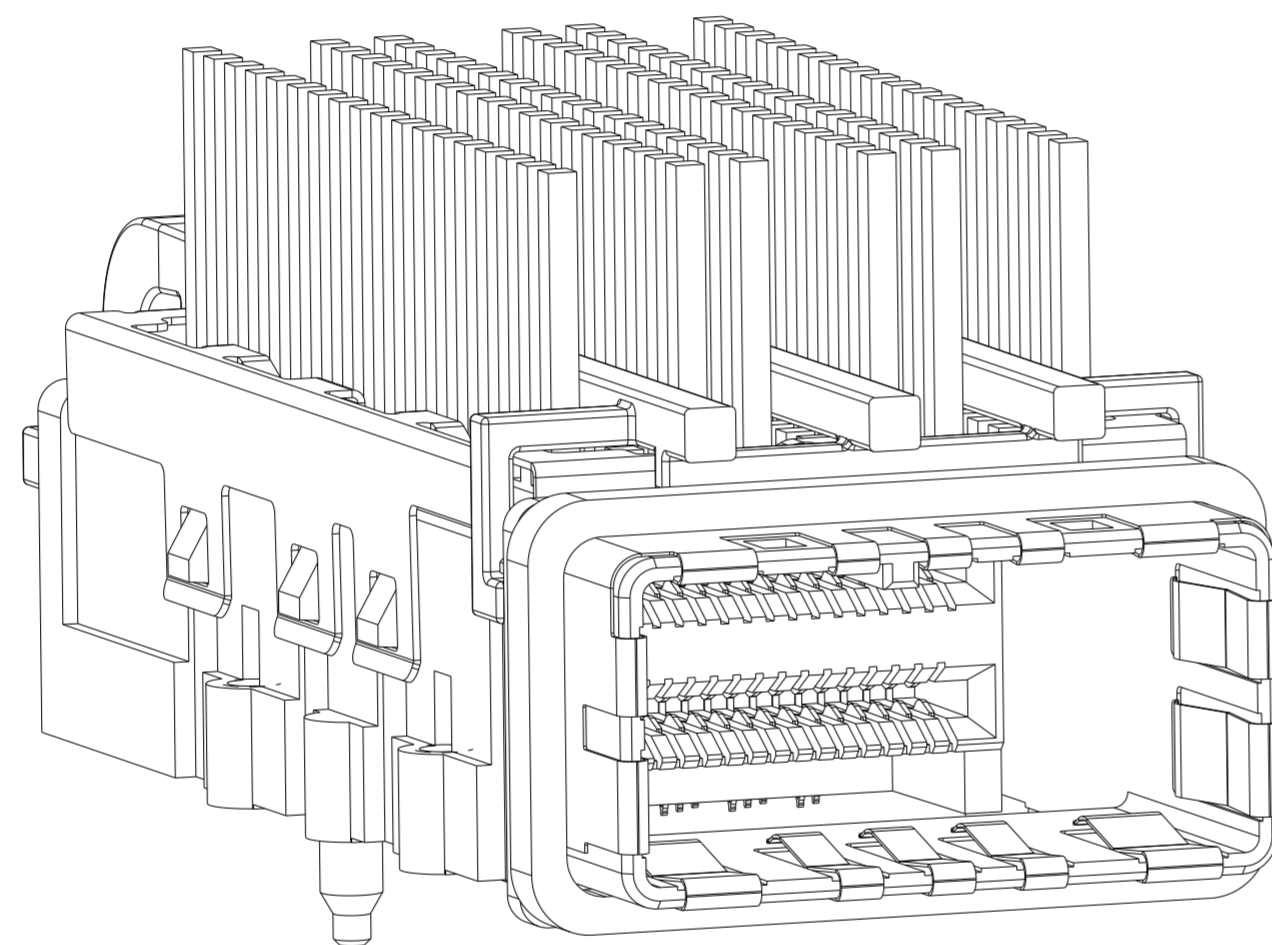
DWN	09 JUN 2010
CHK	10 JUN 2010
APVD	10 JUN 2010
PRODUCT SPEC	108-2426
APPLICATION SPEC	114-13283
WEIGHT	-

TE Connectivity			
NAME		RECEPTACLE ASSEMBLY WITH LIGHTPIPE AND HEAT SINK, 84 POSITION, CXP	
SIZE	CAGE CODE	DRAWING NO	RESTRICTED TO
A2	00779	C-2149159	-

Customer Drawing SCALE 1:1 SHEET 1 OF 5 REV A1

THIS DRAWING IS UNPUBLISHED. RELEASED FOR PUBLICATION 20
 © COPYRIGHT 20 BY - ALL RIGHTS RESERVED.

REVISIONS					
P	LTR	DESCRIPTION	DATE	DWN	APVD
-		SEE SHEET 1	-	-	-



2149159-7
 SCALE 4:1

- 1 MATERIALS:
 HOUSING - ZINC ALLOY
 EMI GASKET - CONDUCTIVE URETHANE FOAM
 RECEPTACLE HOUSING - LCP, BLACK, UL 94V-0 RATED
 CHICKLET - LCP, BLACK, UL 94V-0 RATED
 CONTACT - PHOSPHOR BRONZE
 EMI SPRING - COPPER ALLOY
 HEAT SINK - ALUMINUM
 CLIP, HEAT SINK - STAINLESS STEEL
 LIGHTPIPE - POLYCARBONATE, CLEAR


- 2 FINISH:
 CONTACT - CONFORMS TO THE REQUIREMENTS OF TE
 PRODUCT SPECIFICATION 108-2426, BASED ON EIA/ECA-364-1000.01A,
 (CONTROLLED ENVIRONMENT APPLICATIONS) ON MATING INTERFACE,
 MATTE TIN PLATE OVER NICKEL UNDERPLATE ON COMPLIANT PIN
 HOUSING & HEAT SINK - NICKEL PLATE

- 3 NOTE DELETED
 4 PCB THICKNESS = 1.57 MIN
 5 FOR HOLE SIZE AND FINISHES, SEE APPLICATION SPEC 114-13283

- 6 THE ENTIRE AREA OF THE CONNECTOR FOOTPRINT, INDICATED
 BY CROSSHATCHING, TO BE CONSIDERED THE KEEPOUT AREA FOR
 COMPONENTS AND SIGNAL TRACES, TOP SIDE ONLY, TOP SIDE
 TRACES ALLOWED WITHIN CONNECTOR HOLE PATTERN, CROSSHATCHING
 TO BE CONDUCTIVE

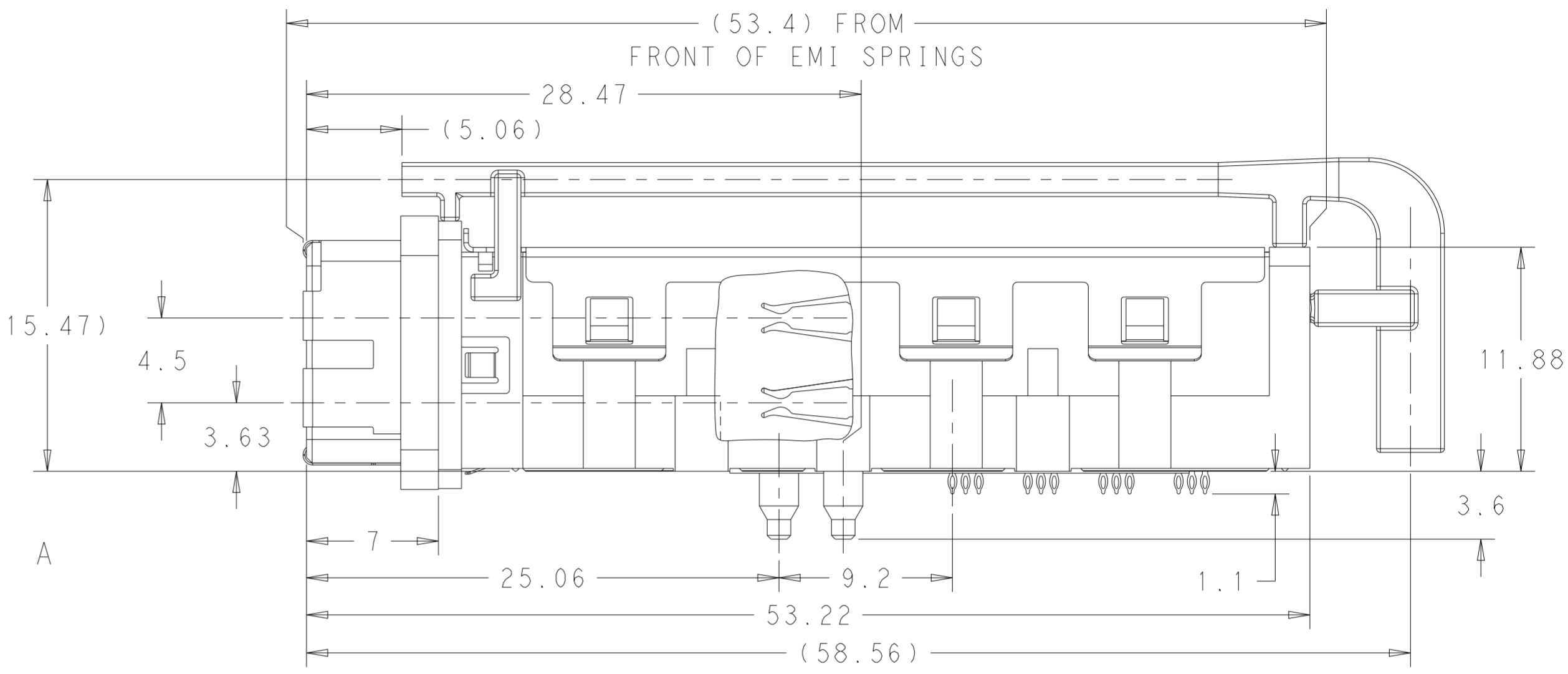
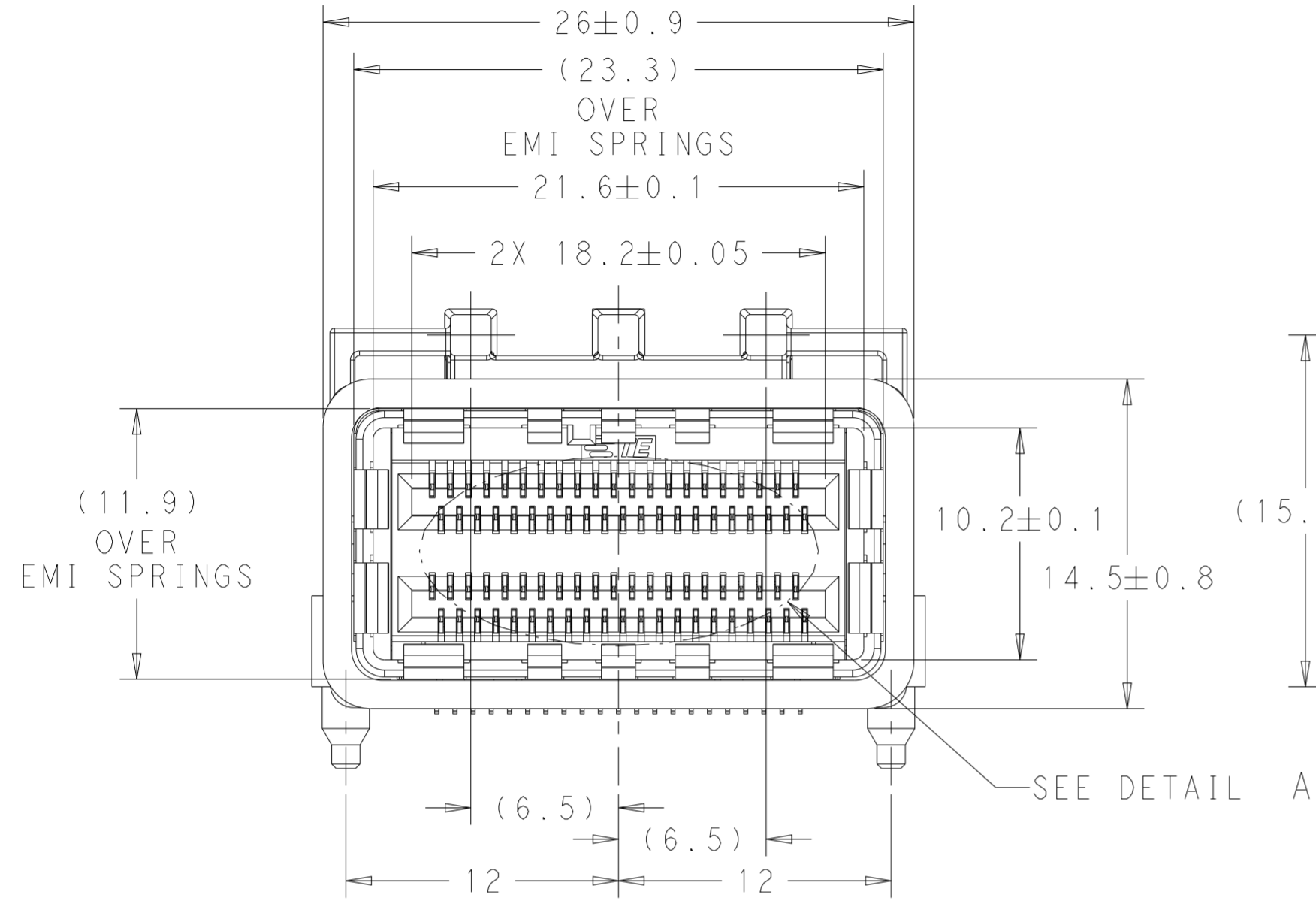
7. MOUNTING HARDWARE REQUIRED:
 M2x0.4 (4)
 MOUNTING SCREW LENGTH = BOARD THICKNESS PLUS 4mm MAX

8. COMPONENTS PACKAGED UNASSEMBLED

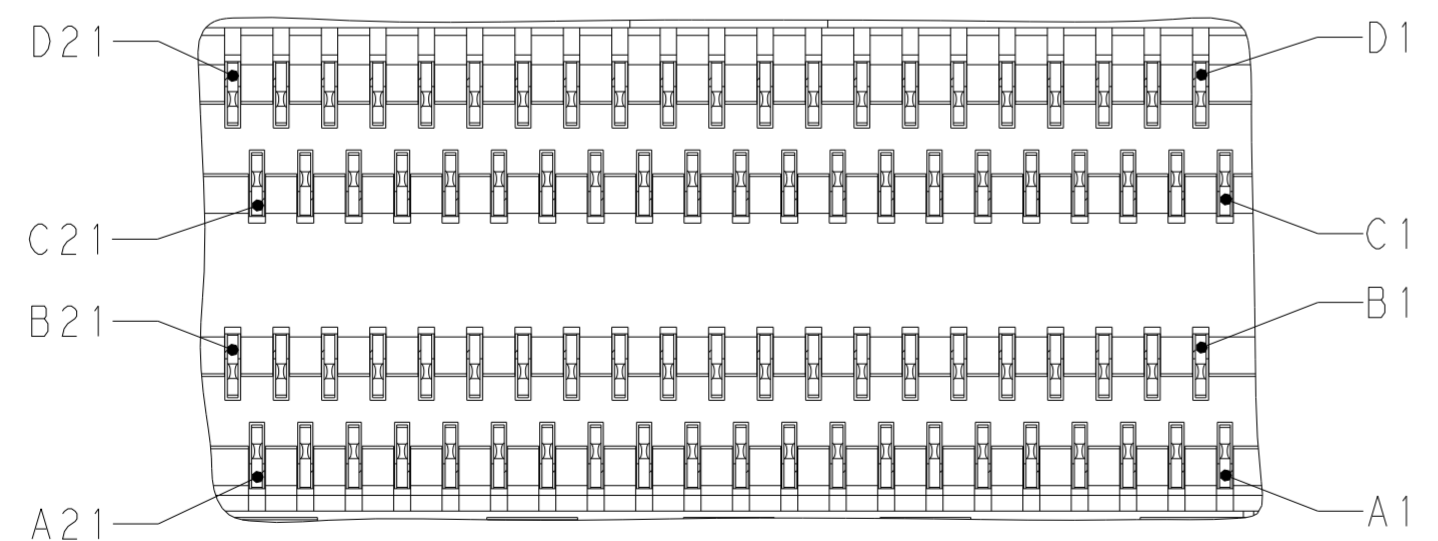
THIS DRAWING IS A CONTROLLED DOCUMENT. DIMENSIONING AND TOLERANCING PER ASME Y14.5M-2009		DWN M. E. COWHER 09 JUN 2010	 TE Connectivity		
DIMENSIONS: mm		CHK M. D. MORRISON 10 JUN 2010			
TOLERANCES UNLESS OTHERWISE SPECIFIED:		APVD M. D. MORRISON 10 JUN 2010	NAME RECEPTACLE ASSEMBLY WITH LIGHTPIPE AND HEAT SINK, 84 POSITION, CXP		
0 PLC ±0.15 1 PLC ±0.15 2 PLC ±0.15 3 PLC ± 4 PLC ± ANGLES ± FINISH		PRODUCT SPEC 108-2426	SIZE 114-13283	CAGE CODE A200779	DRAWING NO C-2149159
MATERIAL	1	WEIGHT -	RESTRICTED TO -	SCALE 1:1	SHEET 2 OF 5
Customer Drawing			REV A1		

THIS DRAWING IS UNPUBLISHED. RELEASED FOR PUBLICATION 20
 © COPYRIGHT 20 BY - ALL RIGHTS RESERVED.

REVISIONS				
P	LTR	DESCRIPTION	DATE	APVD
-	-	SEE SHEET 1	-	-



2149159-1
 SCALE 4:1

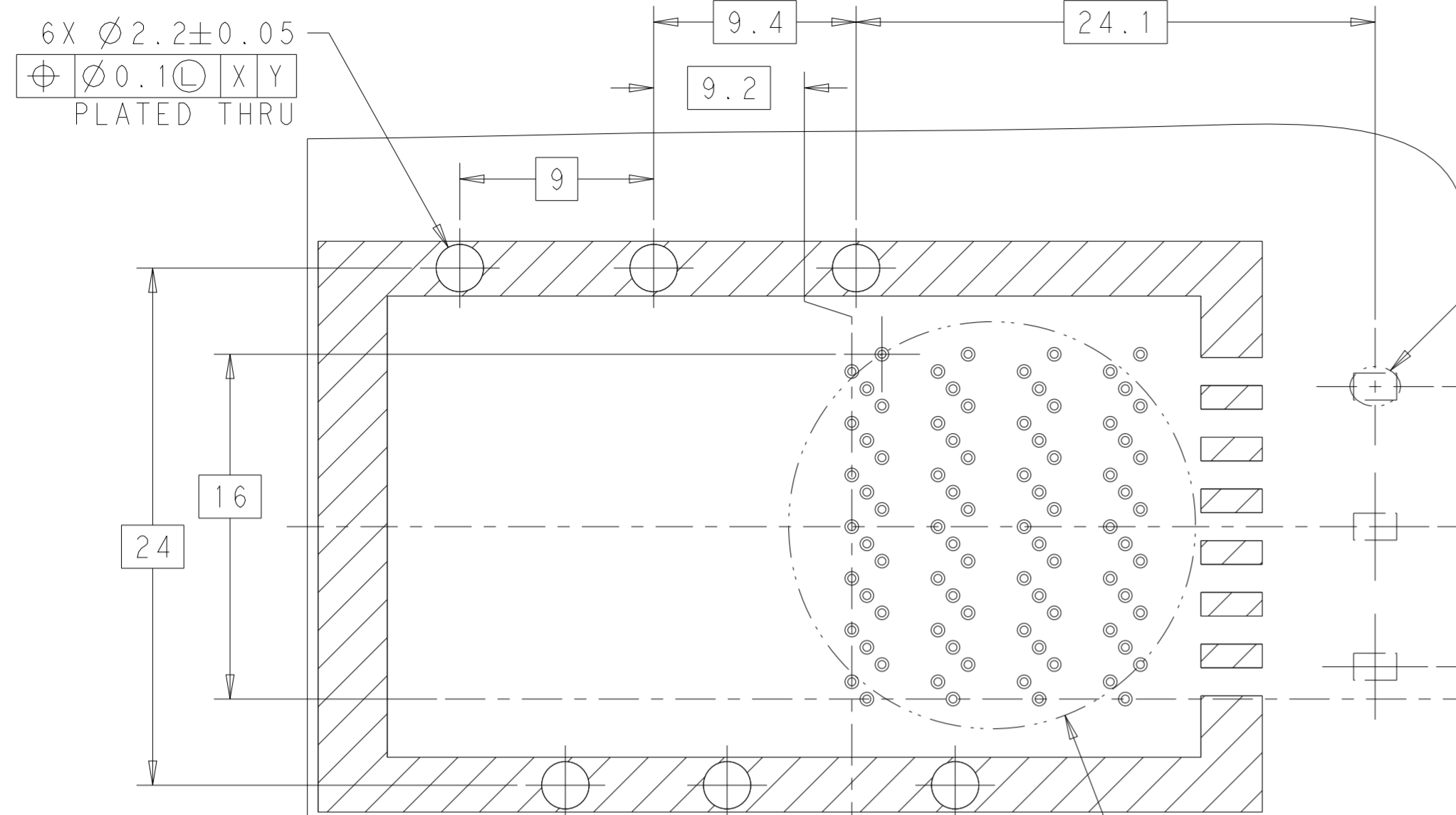


DETAIL A
 RECOMMENDED PIN CALLOUT
 SCALE 8:1

THIS DRAWING IS A CONTROLLED DOCUMENT. DIMENSIONING AND TOLERANCING PER ASME Y14.5M-2009		DWN M. E. COWHER 09 JUN 2010	 TE Connectivity	NAME RECEPTACLE ASSEMBLY WITH LIGHTPIPE AND HEAT SINK, 84 POSITION, CXP	
DIMENSIONS: mm		CHK M. D. MORRISON 10 JUN 2010		SIZE 108-2426	
TOLERANCES UNLESS OTHERWISE SPECIFIED:		APVD M. D. MORRISON 10 JUN 2010		APPLICATION SPEC 114-13283	
0 PLC ±0.15 1 PLC ±0.15 2 PLC ±0.15 3 PLC ± 4 PLC ± ANGLES ± FINISH ±		PRODUCT SPEC 108-2426		RESTRICTED TO -	
MATERIAL		WEIGHT -	Customer Drawing	SCALE 1:1	SHEET 3 OF 5
			DRAWING NO A200779C-2149159		REV A1

THIS DRAWING IS UNPUBLISHED. RELEASED FOR PUBLICATION 20
 © COPYRIGHT 20 BY - ALL RIGHTS RESERVED.

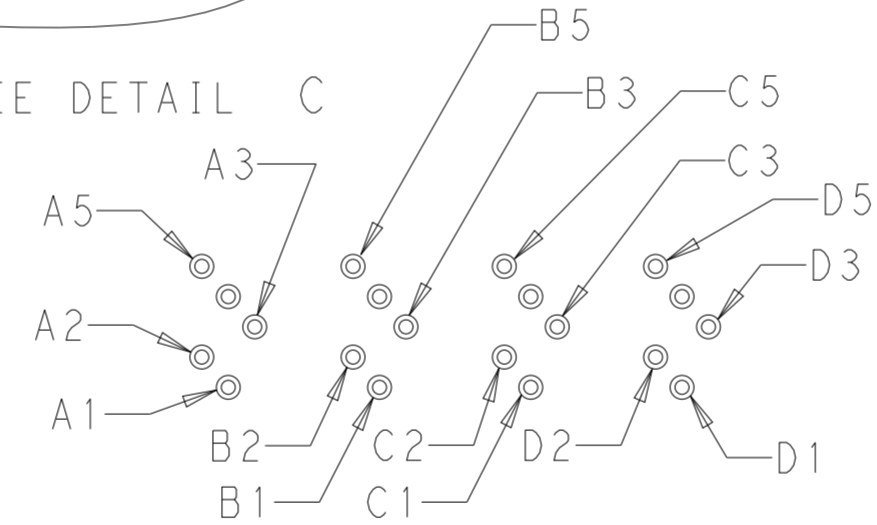
REVISIONS					
P	LTR	DESCRIPTION	DATE	DWN	APVD
-	-	SEE SHEET 1	-	-	-



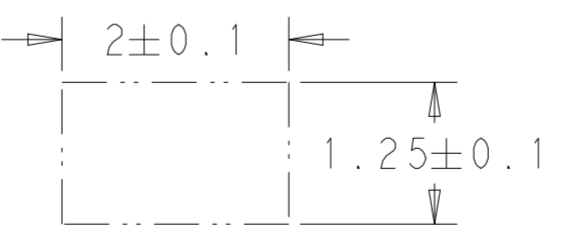
SEE DETAIL F

SEE DETAIL C

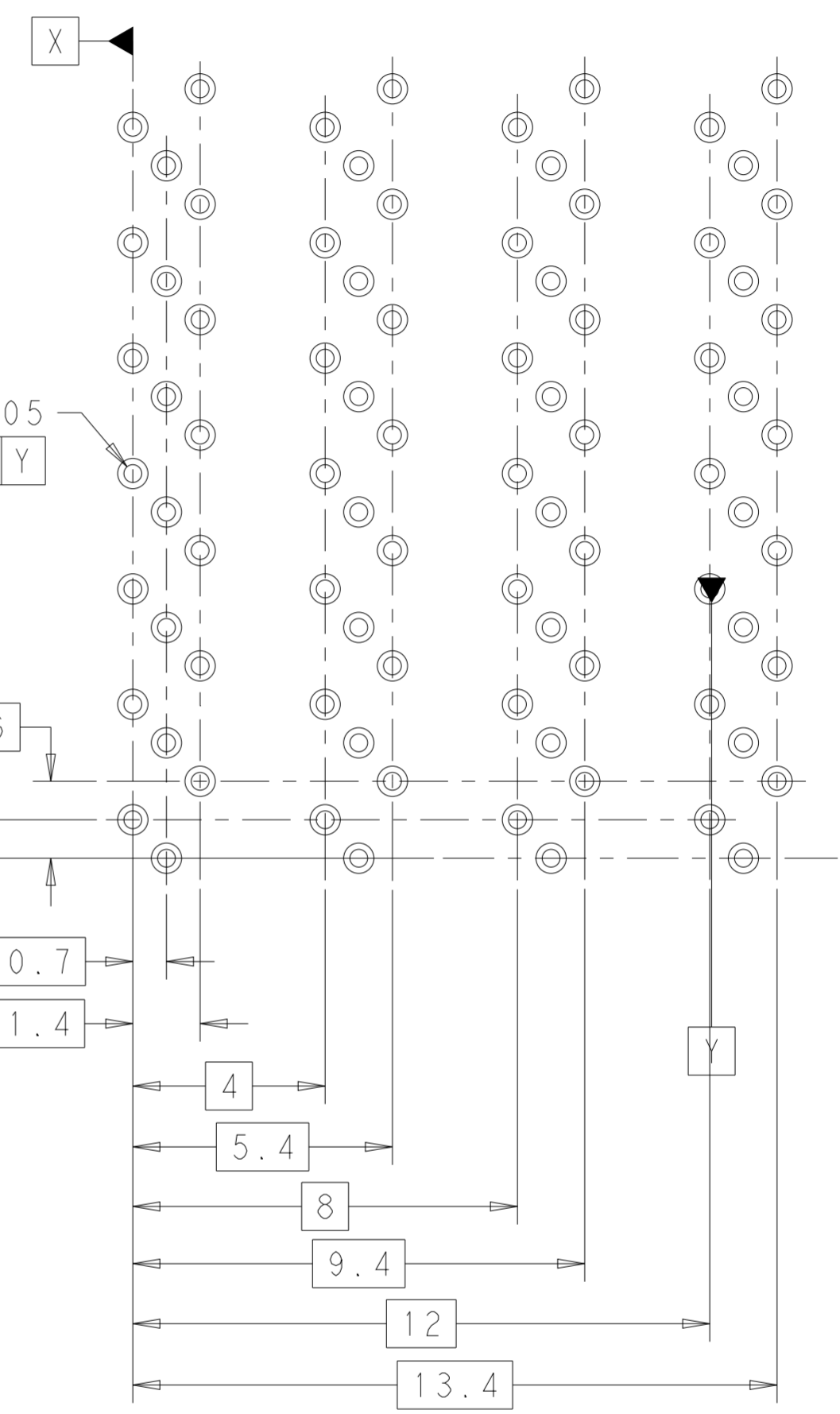
RECOMMENDED PCB LAYOUT COMPONENT SIDE SHOWN SCALE 4:1



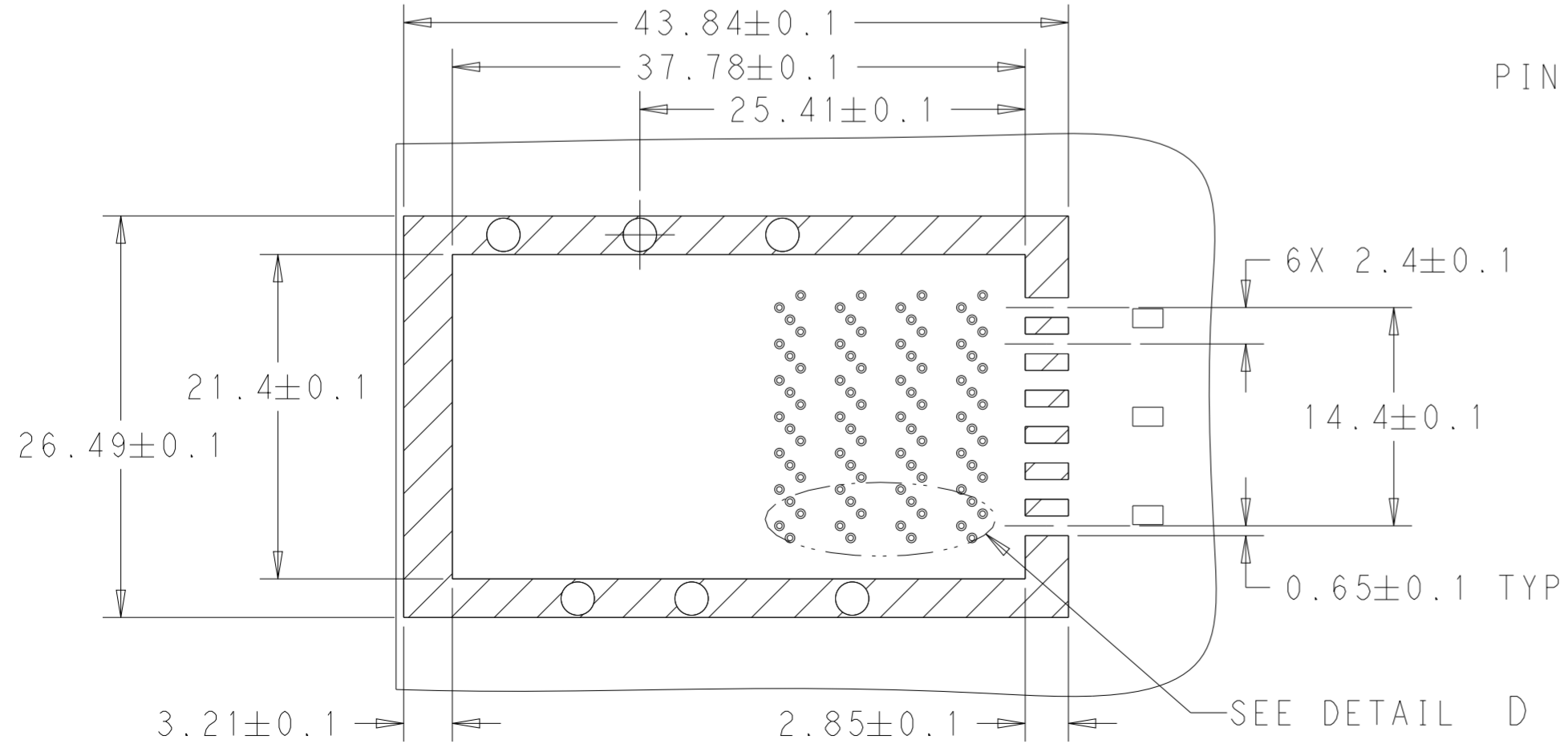
DETAIL D
PIN CALLOUT (TYPICAL)
SCALE 5:1



DETAIL F
3X INDIVIDUALLY
SCALE 15:1



DETAIL C
RECOMMENDED CONNECTOR LAYOUT
SCALE 8:1



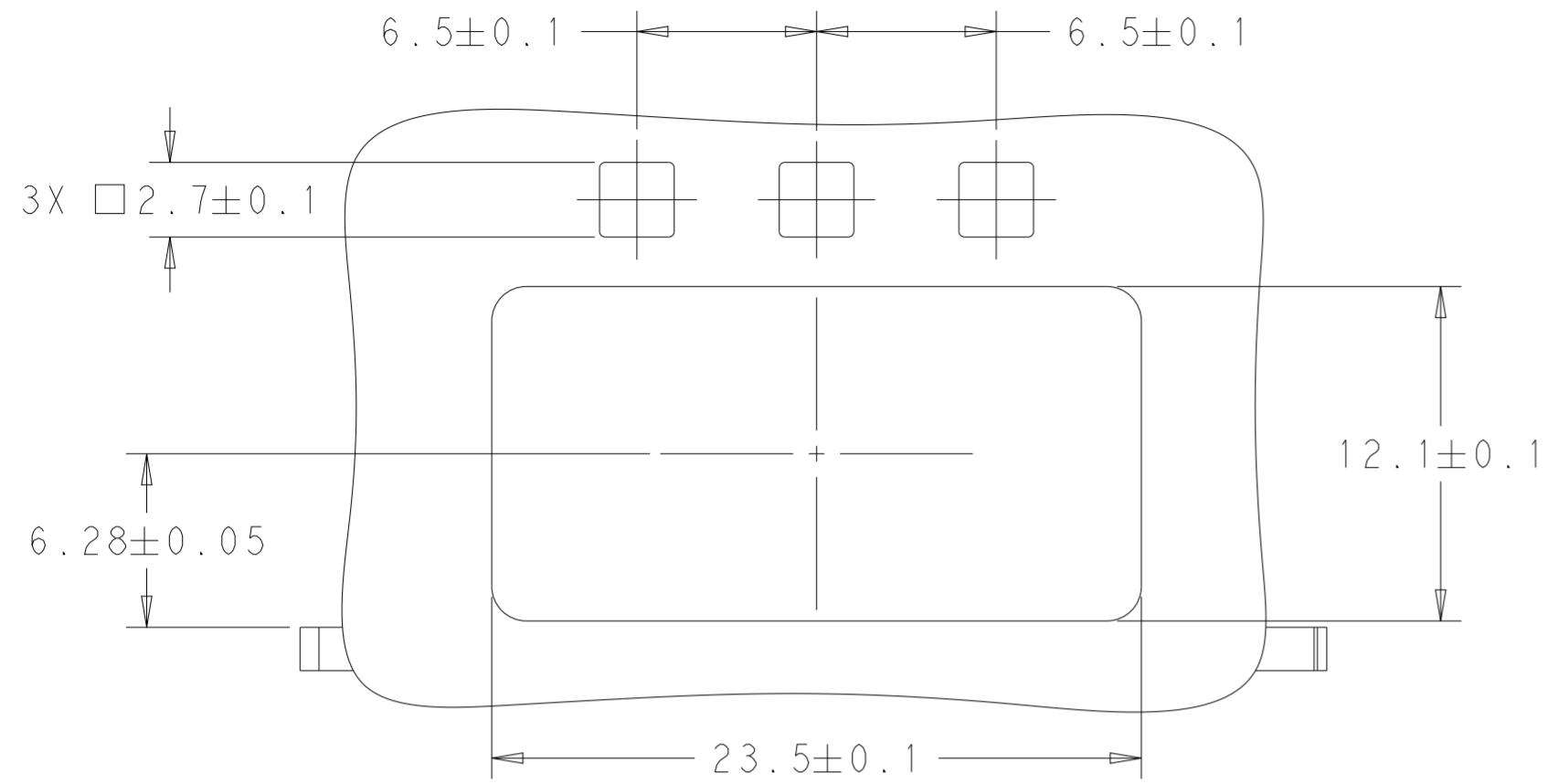
RECOMMENDED KEEPOUT AREA
SCALE 5:2

SEE DETAIL D

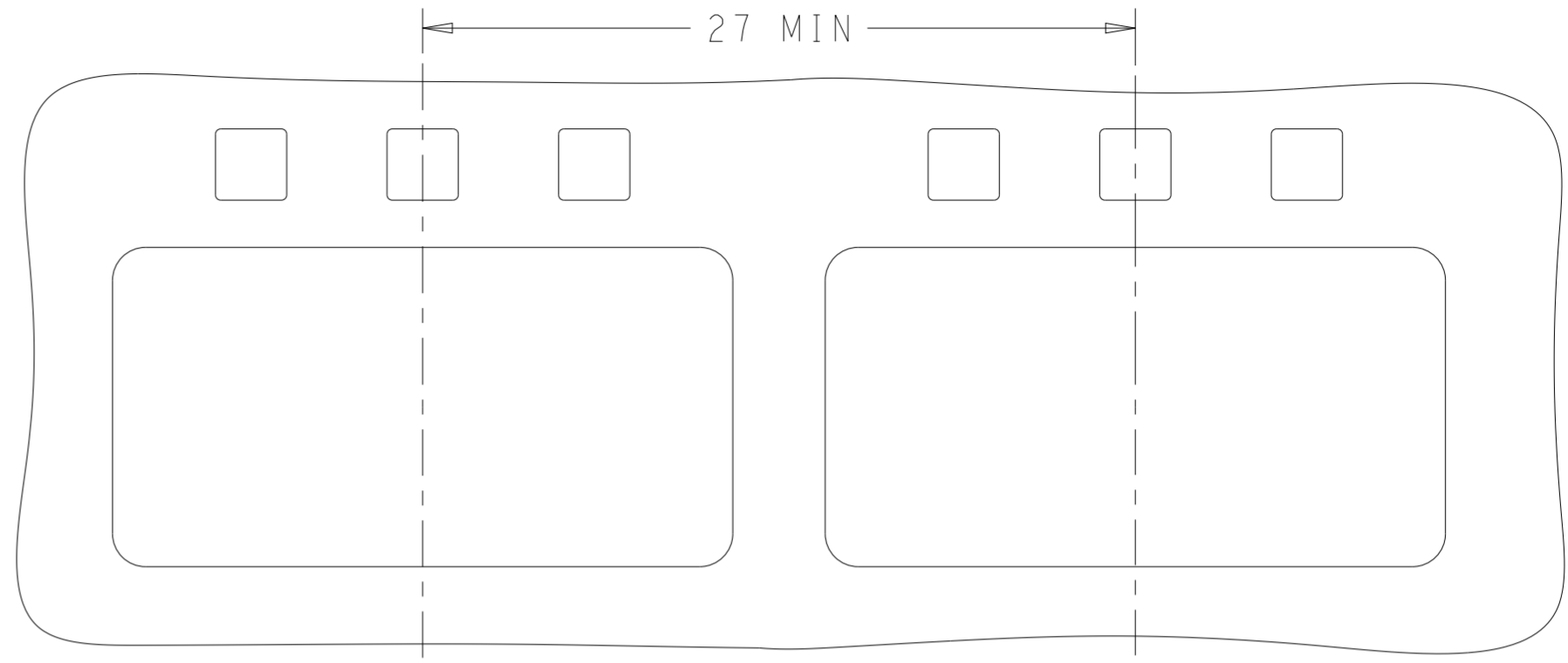
THIS DRAWING IS A CONTROLLED DOCUMENT. DIMENSIONING AND TOLERANCING PER ASME Y14.5M-2009		DWN M.E. COWHER 09 JUN 2010	TE Connectivity	
DIMENSIONS: mm		CHK M.D. MORRISON 10 JUN 2010		
TOLERANCES UNLESS OTHERWISE SPECIFIED:		APVD M.D. MORRISON 10 JUN 2010	NAME RECEPTACLE ASSEMBLY WITH LIGHTPIPE AND HEAT SINK, 84 POSITION, CXP	
0 PLC ±0.15	1 PLC ±0.15	PRODUCT SPEC 108-2426	SIZE A2	
2 PLC ±0.15	3 PLC ±	APPLICATION SPEC 114-13283	CAGE CODE 00779	DRAWING NO C-2149159
4 PLC ±	ANGLES ±	WEIGHT -	RESTRICTED TO -	
MATERIAL FINISH		Customer Drawing	SCALE 1:1	SHEET 4 OF 5
				REV A1

THIS DRAWING IS UNPUBLISHED. RELEASED FOR PUBLICATION 20
 © COPYRIGHT 20 BY - ALL RIGHTS RESERVED.

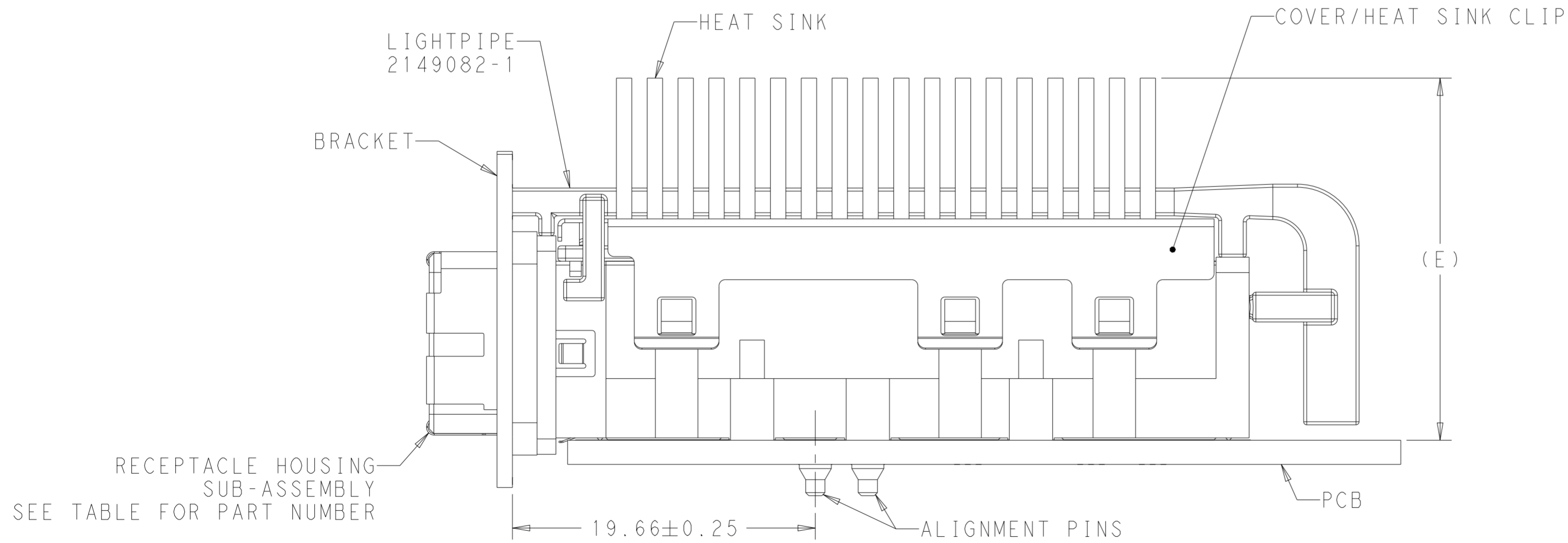
REVISIONS				
P	LTR	DESCRIPTION	DATE	APVD
-	-	SEE SHEET 1	-	-



RECOMMENDED BRACKET CUT-OUT
SCALE 4:1



RECOMMENDED BRACKET CUT-OUT SPACING
SCALE 4:1



RECOMMENDED BRACKET LOCATION AND
HEIGHT OF HEAT SINK MEASURED FROM PCB
SCALE 4:1

THIS DRAWING IS A CONTROLLED DOCUMENT. DIMENSIONING AND TOLERANCING PER ASME Y14.5M-2009

DIMENSIONS:	TOLERANCES UNLESS OTHERWISE SPECIFIED:
mm	0 PLC ±0.15
	1 PLC ±0.15
	2 PLC ±0.15
	3 PLC ±
	4 PLC ±
	ANGLES ±
	FINISH ±

DWN	09 JUN 2010
CHK	10 JUN 2010
APVD	10 JUN 2010
PRODUCT SPEC	108-2426
APPLICATION SPEC	114-13283
WEIGHT	-
Customer Drawing	

STE TE Connectivity			
NAME		RECEPTACLE ASSEMBLY WITH LIGHTPIPE AND HEAT SINK, 84 POSITION, CXP	
SIZE	CAGE CODE	DRAWING NO	RESTRICTED TO
A2	00779	C-2149159	-
SCALE	SHEET	OF	REV
1:1	5	5	A1