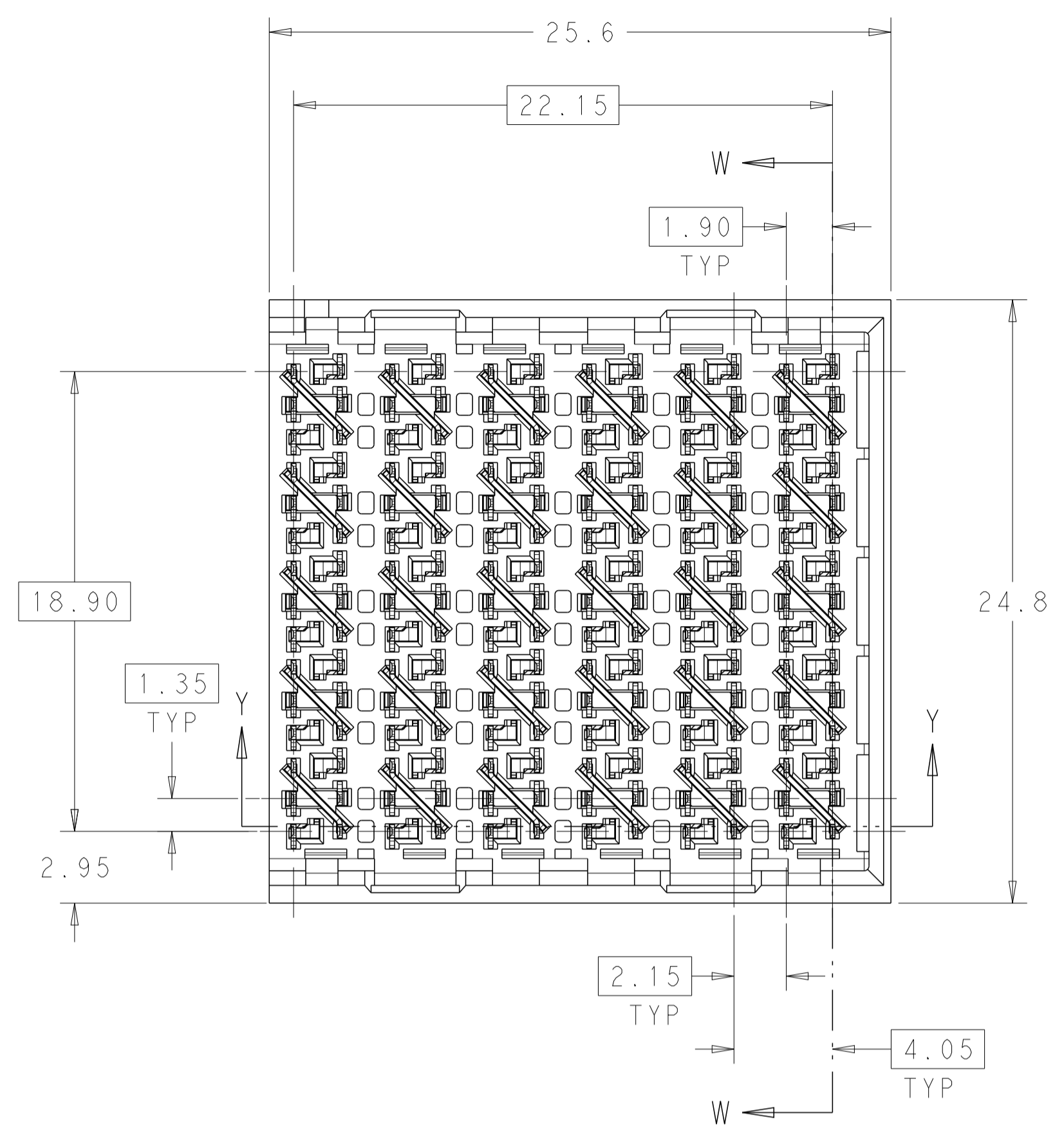
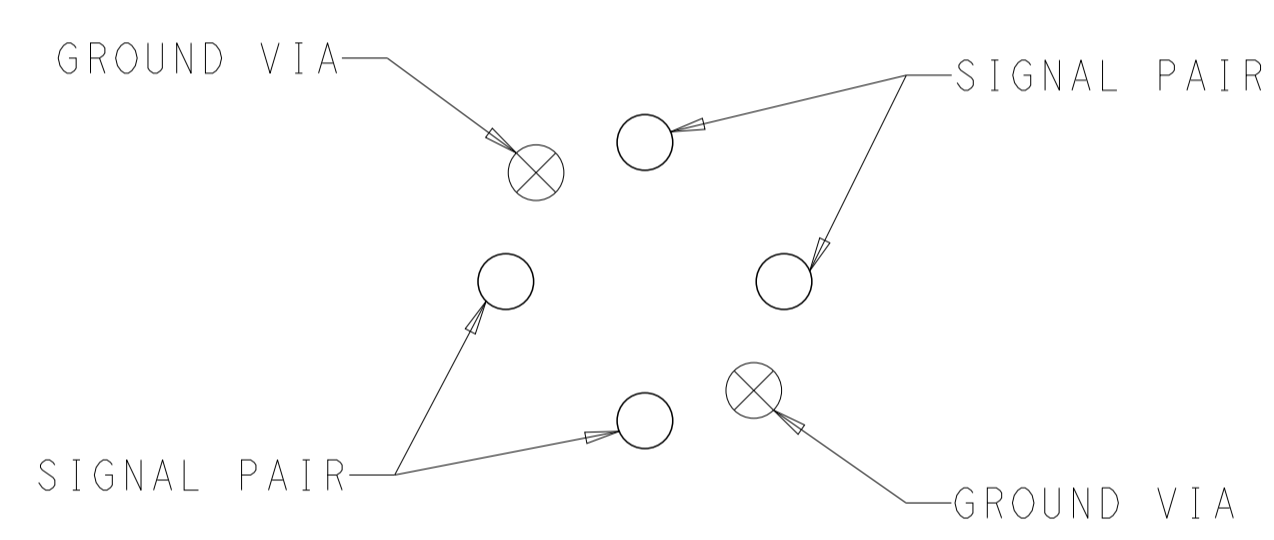
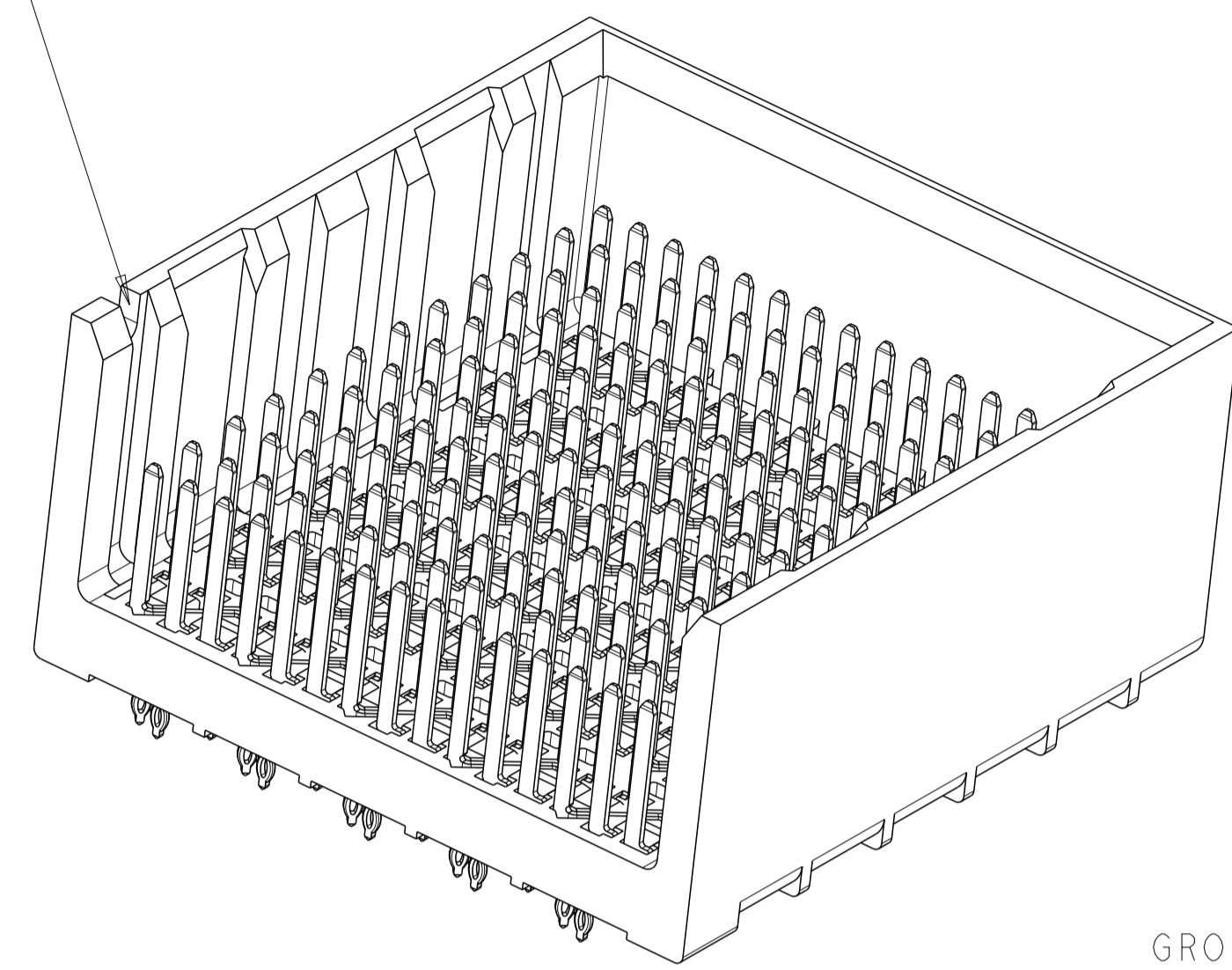


REVISIONS				
P.	LTN.	DESCRIPTION	DATE	APV'D
B		REVISED PER ECO-14-013272	09SEP2014	AP DD
B1		REVISED PER ECN-24-252036	11MAR2024	AP RS

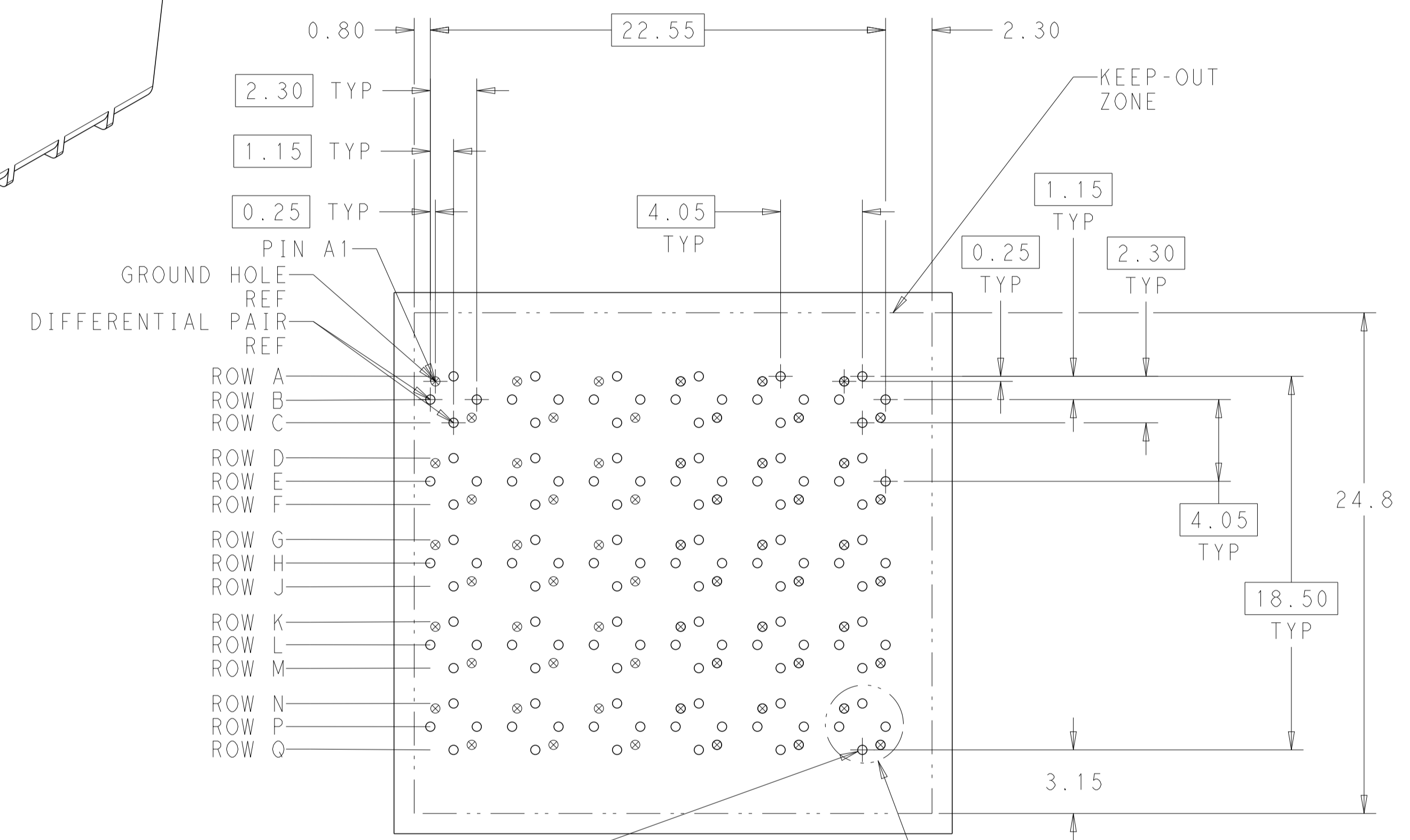


NOTCH DESIGNATES ROW A



DETAIL X
SCALE 16:1

- 1 MATERIAL:
HOUSING: LCP, GLASS FILLED, UL94V-0.
TERMINALS: HIGH PERFORMANCE COPPER ALLOY.
- 2 FINISH:
30µ" MIN GOLD IN CONTACT AREA. SELECTIVE TIN ON PCB TAILS, NICKEL OVERALL.

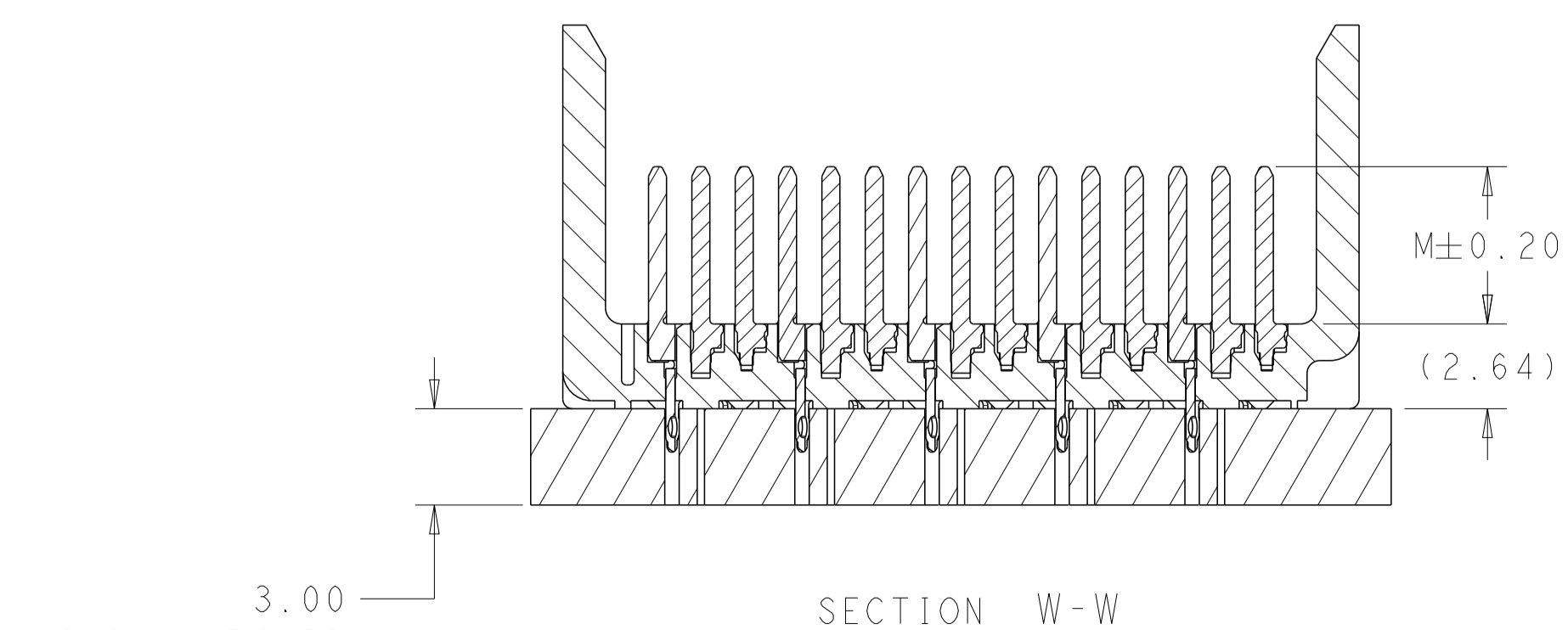
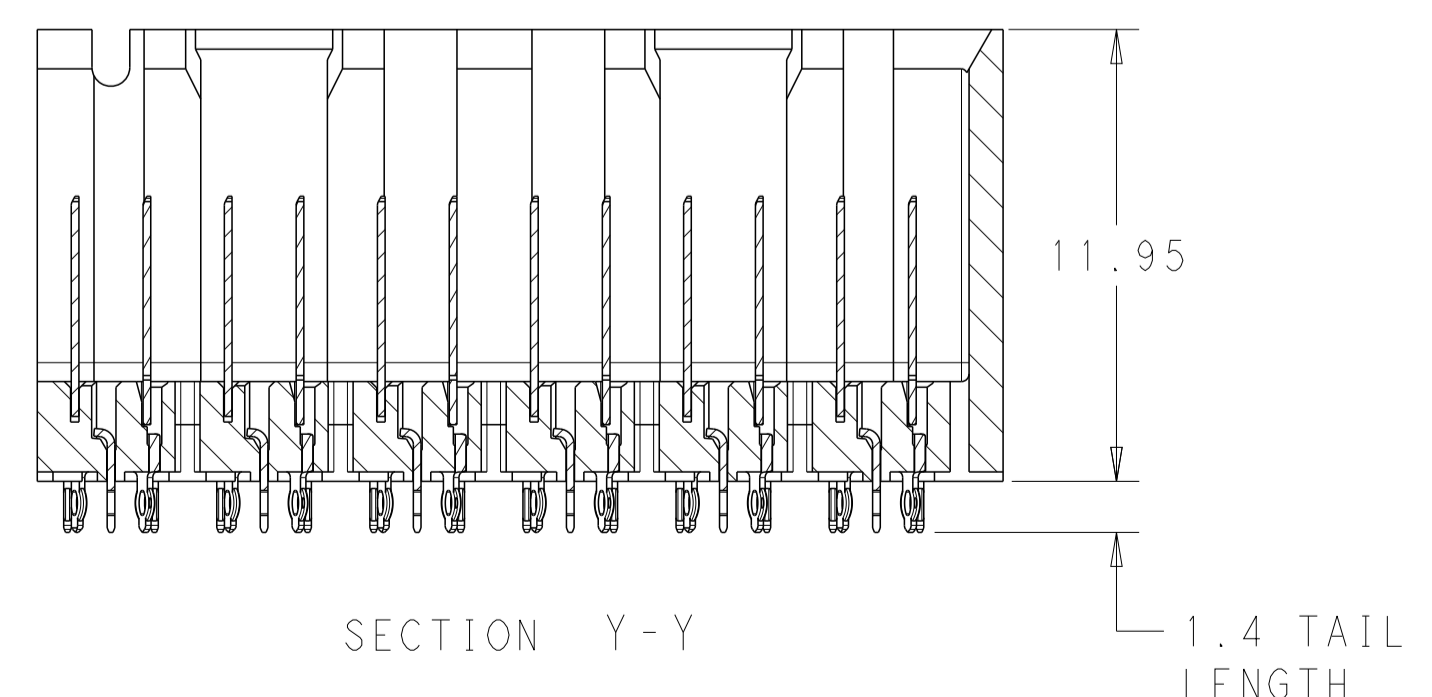


180X $\varnothing 0.46 \pm 0.08$
PLATED THRU HOLE

180X $\varnothing 0.55 \pm 0.013$
DRILL HOLE
 $\varnothing 0.10$

UNGUIDED
BACKPLANE HOLE PATTERN
(CONNECTOR SIDE)

REFER TO WWW.TE.COM
FOR PRODUCT AVAILABILITY



3.00
MINIMUM BOARD
THICKNESS

OBSOLETE	2	5.5	2143632-2
	2	4.9	2143632-1
FINISH		DIM M	PART NUMBER

THIS DRAWING IS A CONTROLLED DOCUMENT.		OWN: KIRAN HOLH 01DEC2012		NAME: IMPACT, ORTHOGONAL, 5 PAIR, 12 COLUMN HEADER, UNGUIDED, RIGHT END WALL SIGNAL MODULE, 0.46 PTH
DIMENSIONS:		CHK: D. DIXON 01DEC2012		
TOLERANCES UNLESS OTHERWISE SPECIFIED:		APV'D: D. DIXON 01DEC2012		
0 PLC ± 1 PLC ±0.25 2 PLC ±0.13 3 PLC ± 4 PLC ± ANGLES ±		PRODUCT SPEC APPLICATION SPEC SIZE CAGE CODE DRAWING NO WEIGHT CUSTOMER DRAWING		
MATERIAL: SEE TABLE		RESTRICTED TO: A100779C=2143632	SCALE: 5:1	SHEET 1 OF 1