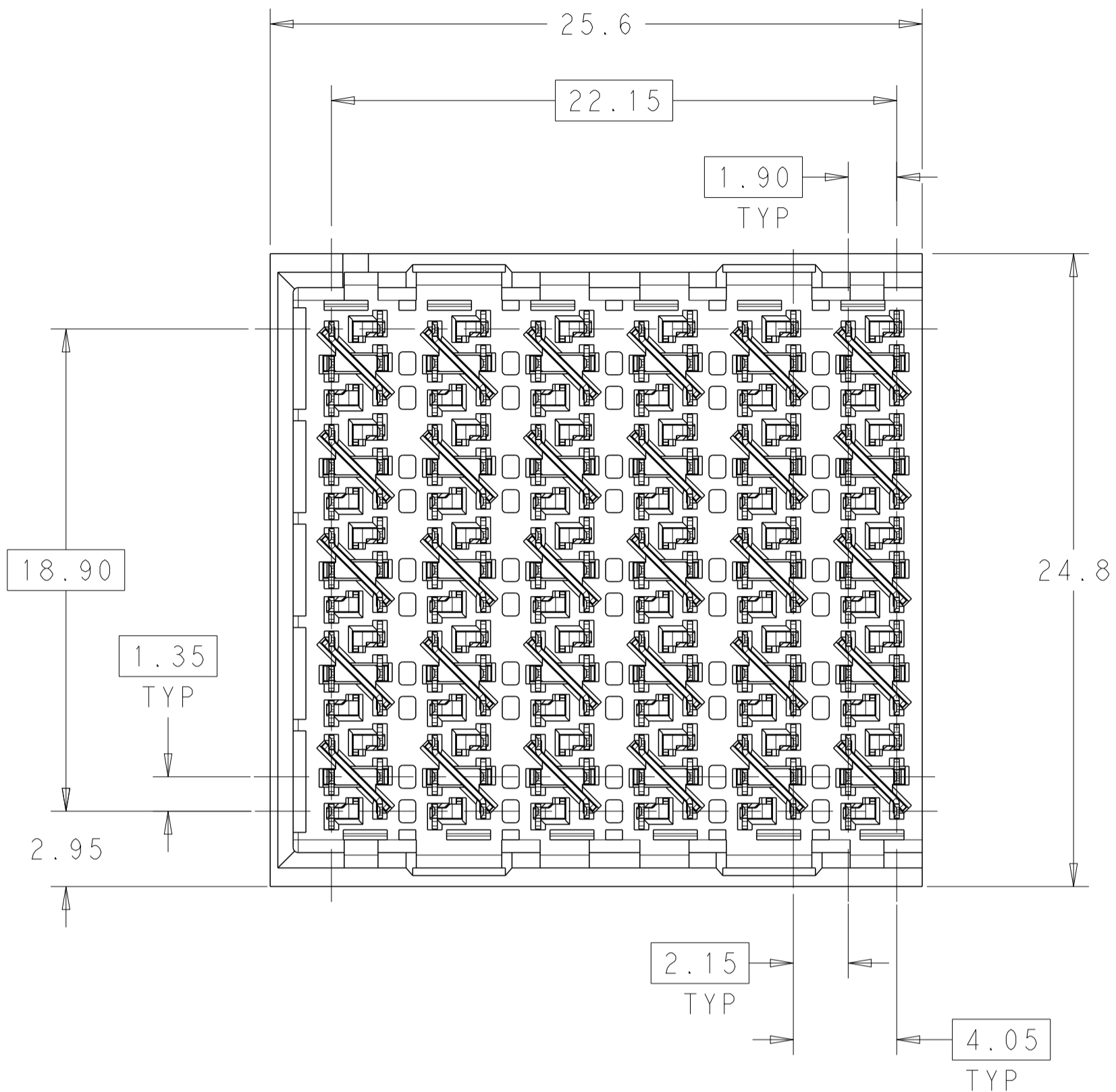
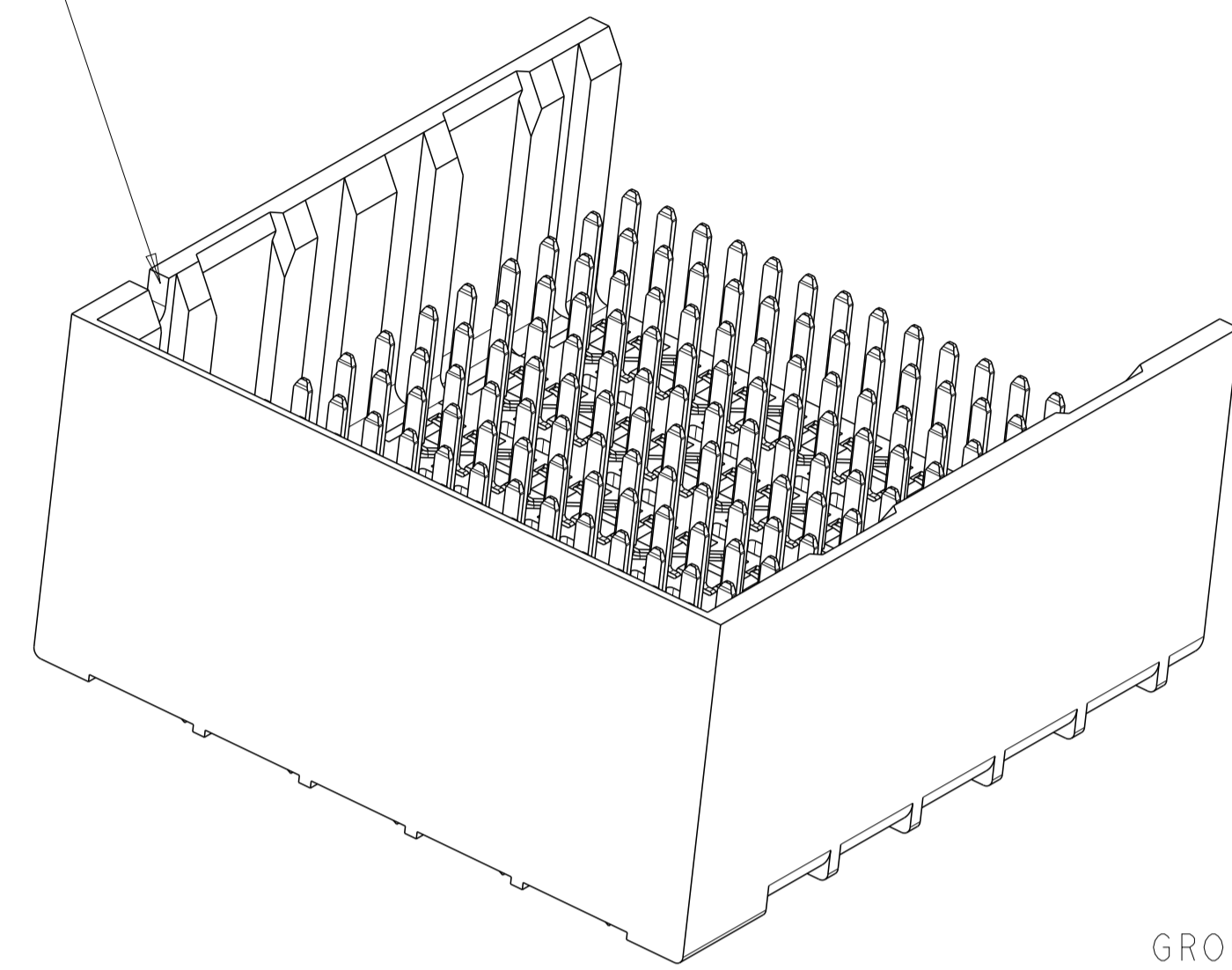


REVISIONS				
P.	LTN	DESCRIPTION	DATE	APV
B		REVISED PER ECO-14-013272	09SEP2014	AP DD
B1		REVISED PER ECN-24-252036	20MAR2024	AP RS

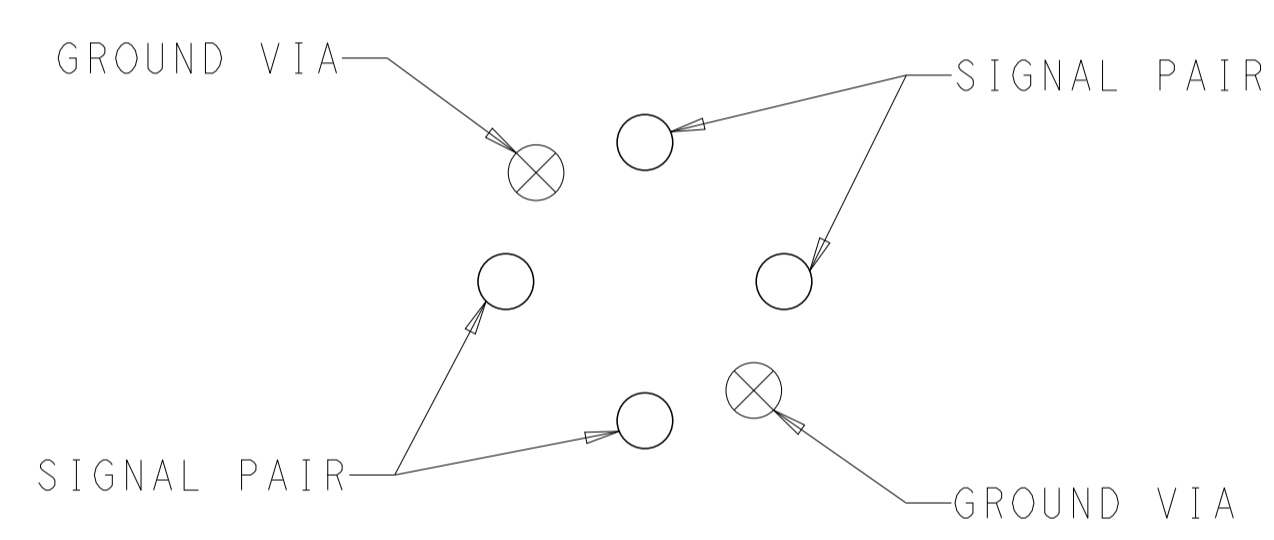


NOTCH DESIGNATES ROW A

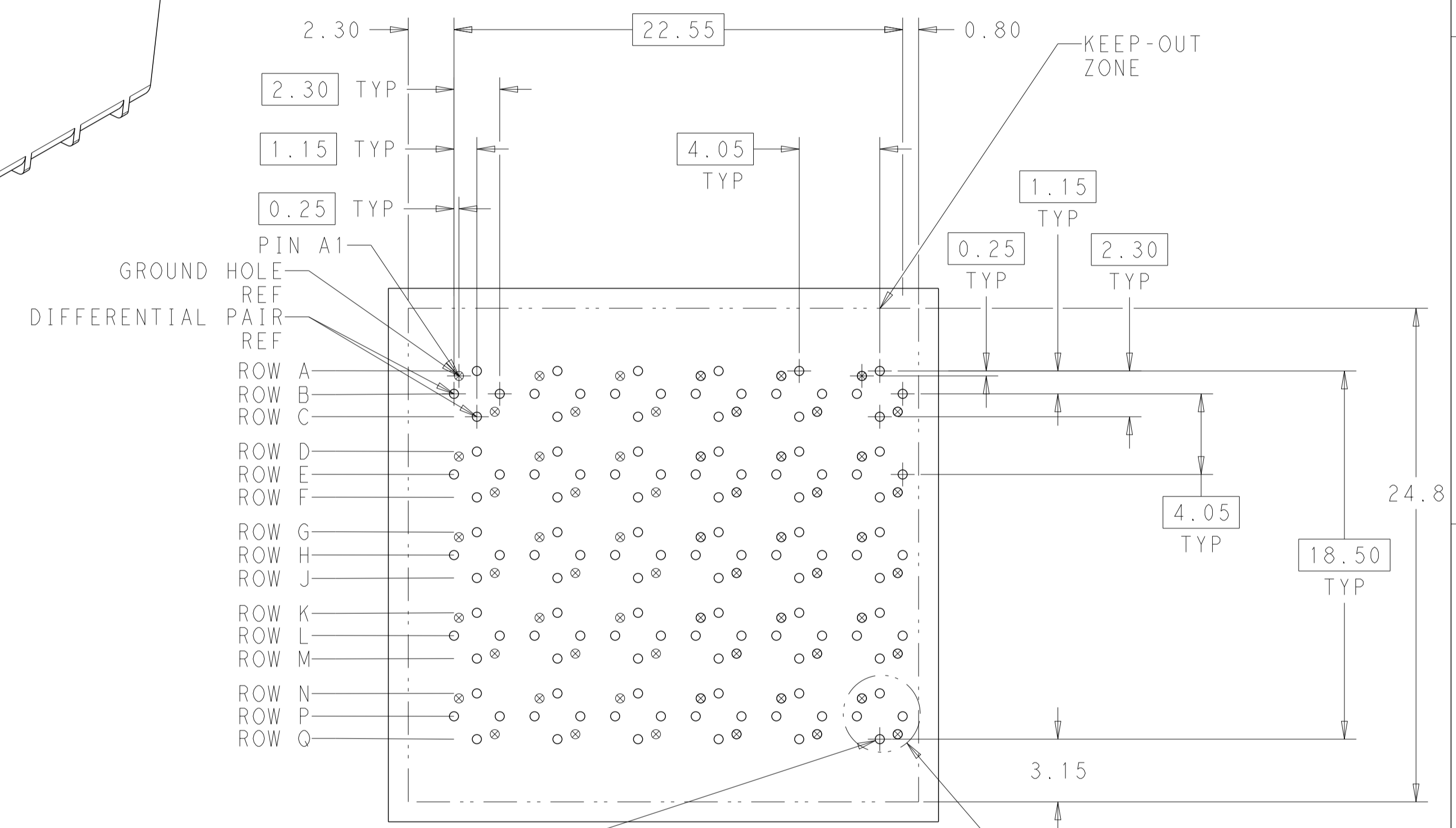


1 MATERIAL:
HOUSING: LCP, GLASS FILLED, UL94V-0.
TERMINALS: HIGH PERFORMANCE COPPER ALLOY.

2 FINISH:
30μ" MIN GOLD IN CONTACT AREA. SELECTIVE TIN ON PCB TAILS, NICKEL OVERALL.



DETAIL X
SCALE 16:1

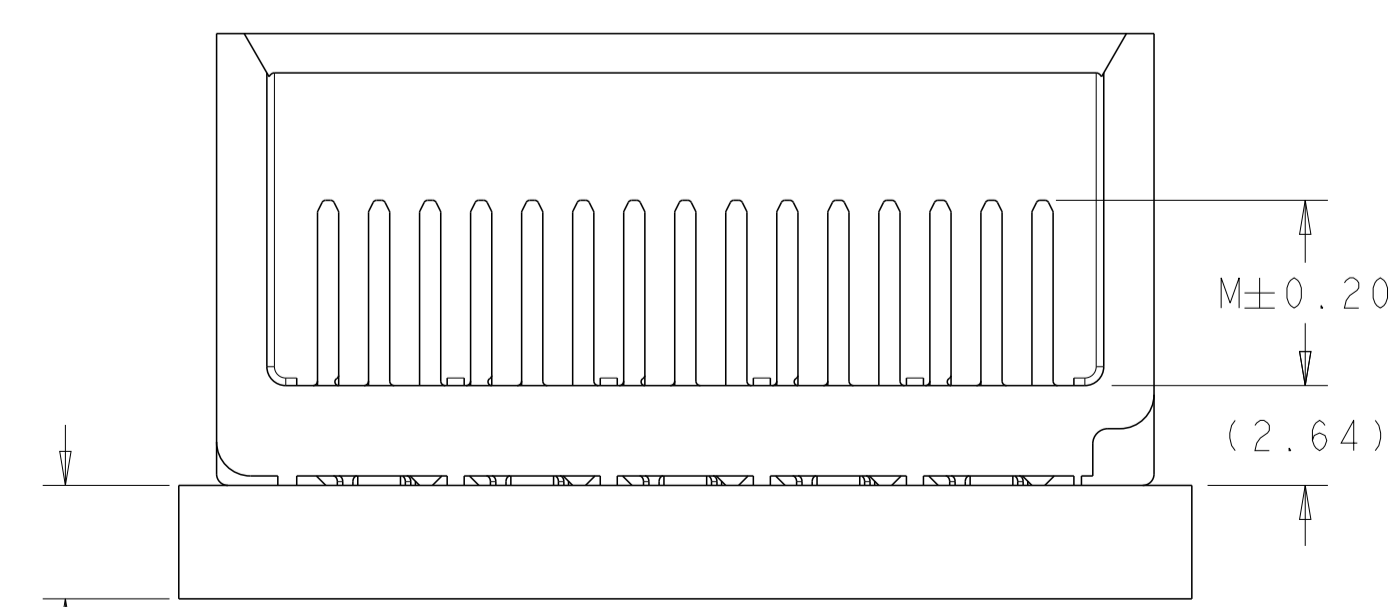
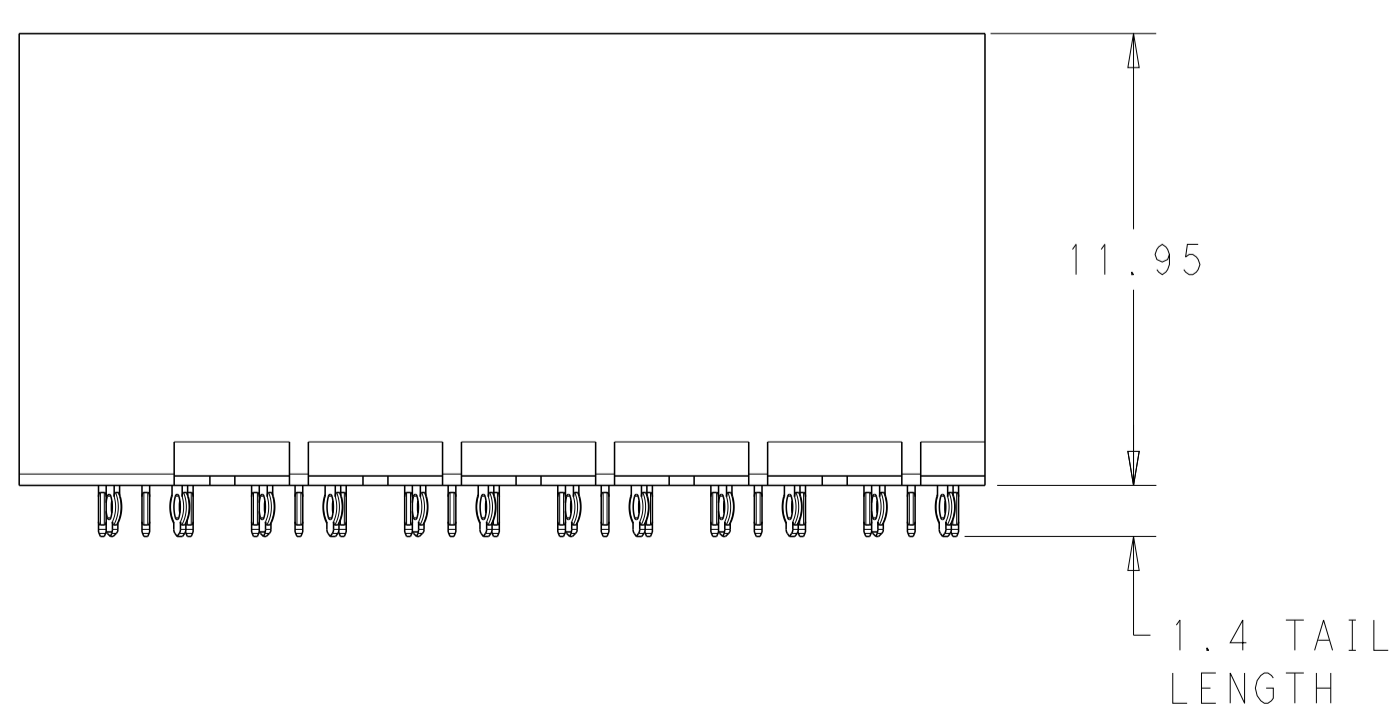


180X $\varnothing 0.46 \pm 0.08$
PLATED THRU HOLE

180X $\varnothing 0.55 \pm 0.013$
DRILL HOLE
 $\varnothing 0.10$

UNGUIDED
BACKPLANE HOLE PATTERN
(CONNECTOR SIDE)

REFER TO WWW.TE.COM
FOR PRODUCT AVAILABILITY



3.00
MINIMUM BOARD
THICKNESS

OBSOLETE	2	5.5	2143631-2
	2	4.9	2143631-1
FINISH		DIM M	PART NUMBER

THIS DRAWING IS A CONTROLLED DOCUMENT.		OWN: KIRAN HOLH 01DEC2012	NAME: IMPACT, ORTHOGONAL, 5 PAIR, 12 COLUMN HEADER, UNGUIDED, LEFT END WALL SIGNAL MODULE, 0.46 PTH
DIMENSIONS: mm		CHK: D. DIXON 01DEC2012	PRODUCT SPEC: -
TOLERANCES UNLESS OTHERWISE SPECIFIED:		APV: D. DIXON 01DEC2012	APPLICATION SPEC: -
0 PLC ±		SIZE: -	RESTRICTED TO: -
1 PLC ±0.25		WEIGHT: -	SCALE: 5:1
2 PLC ±0.13		SIZE: -	SHEET: 1 OF 1
3 PLC ±		SIZE: -	REV: B1
4 PLC ±		SIZE: -	
ANGLES ±		SIZE: -	
FINISH: SEE TABLE		SIZE: -	
MATERIAL: SEE TABLE		SIZE: -	
CUSTOMER DRAWING		SIZE: -	