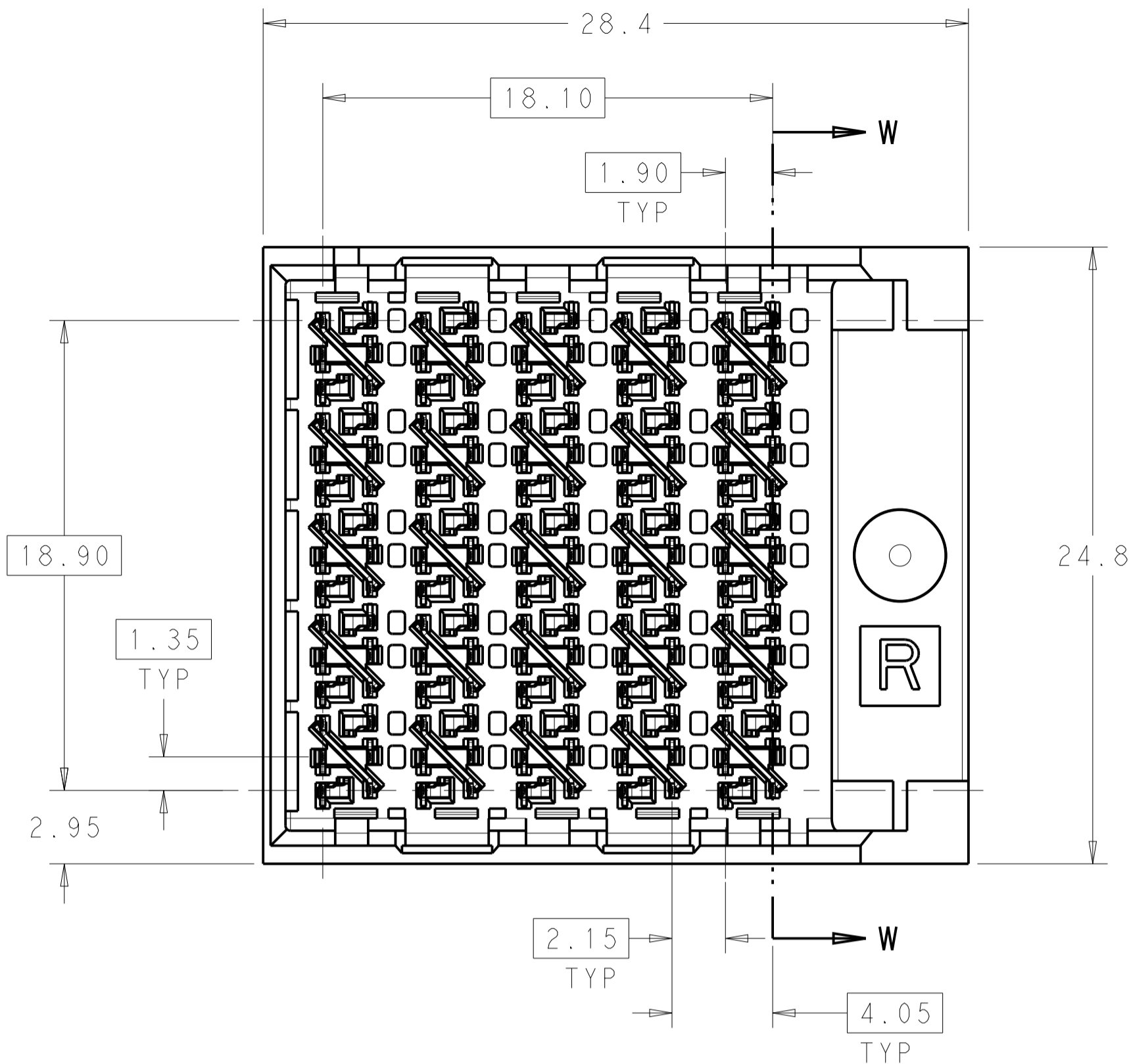
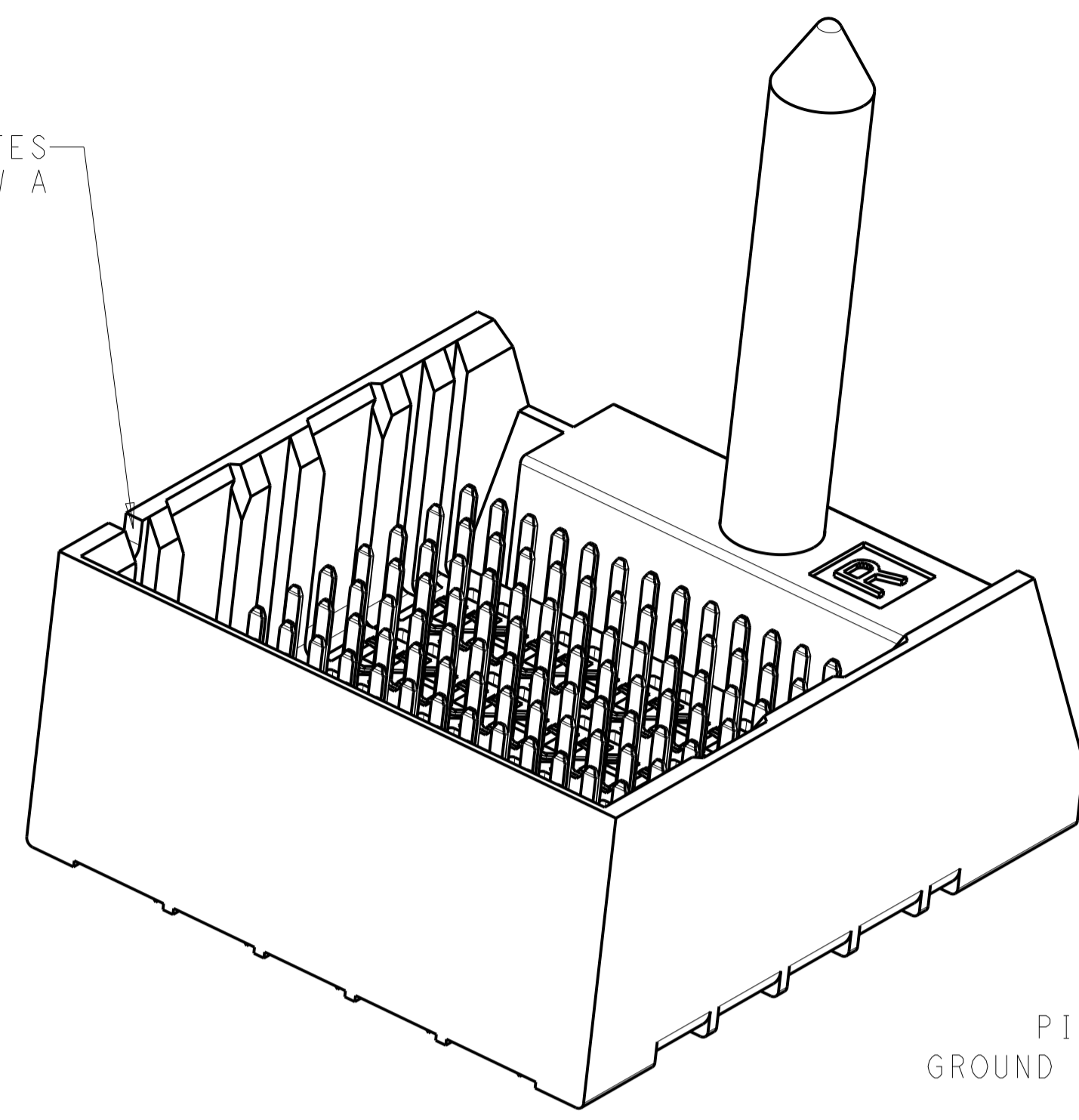


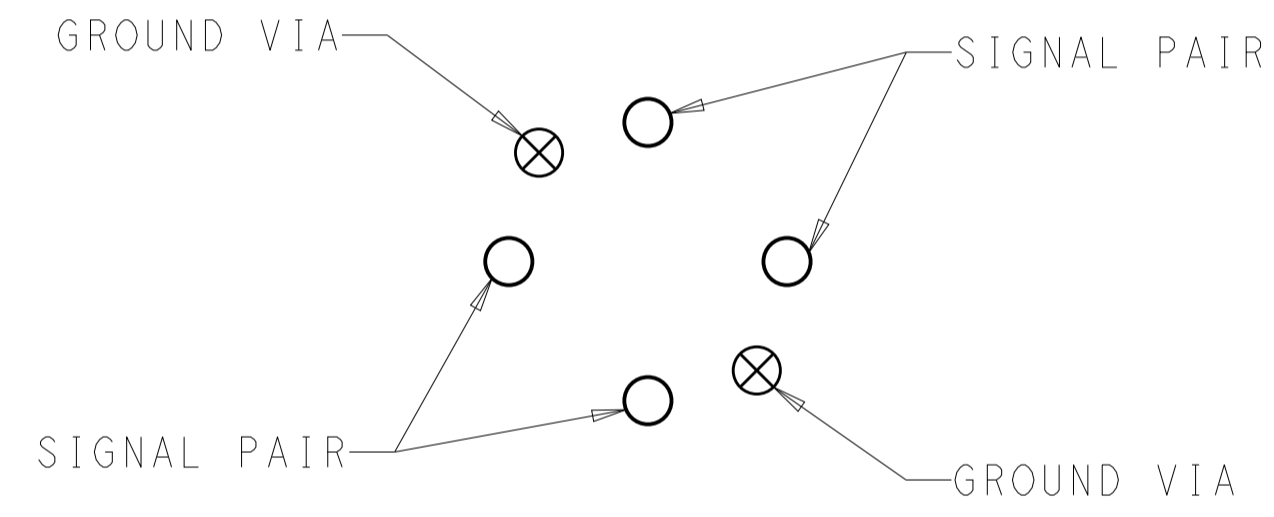
REVISIONS				
P.	LTN	DESCRIPTION	DATE	APV
B		REVISED PER ECO-14-013272	08SEP2014	AP DD



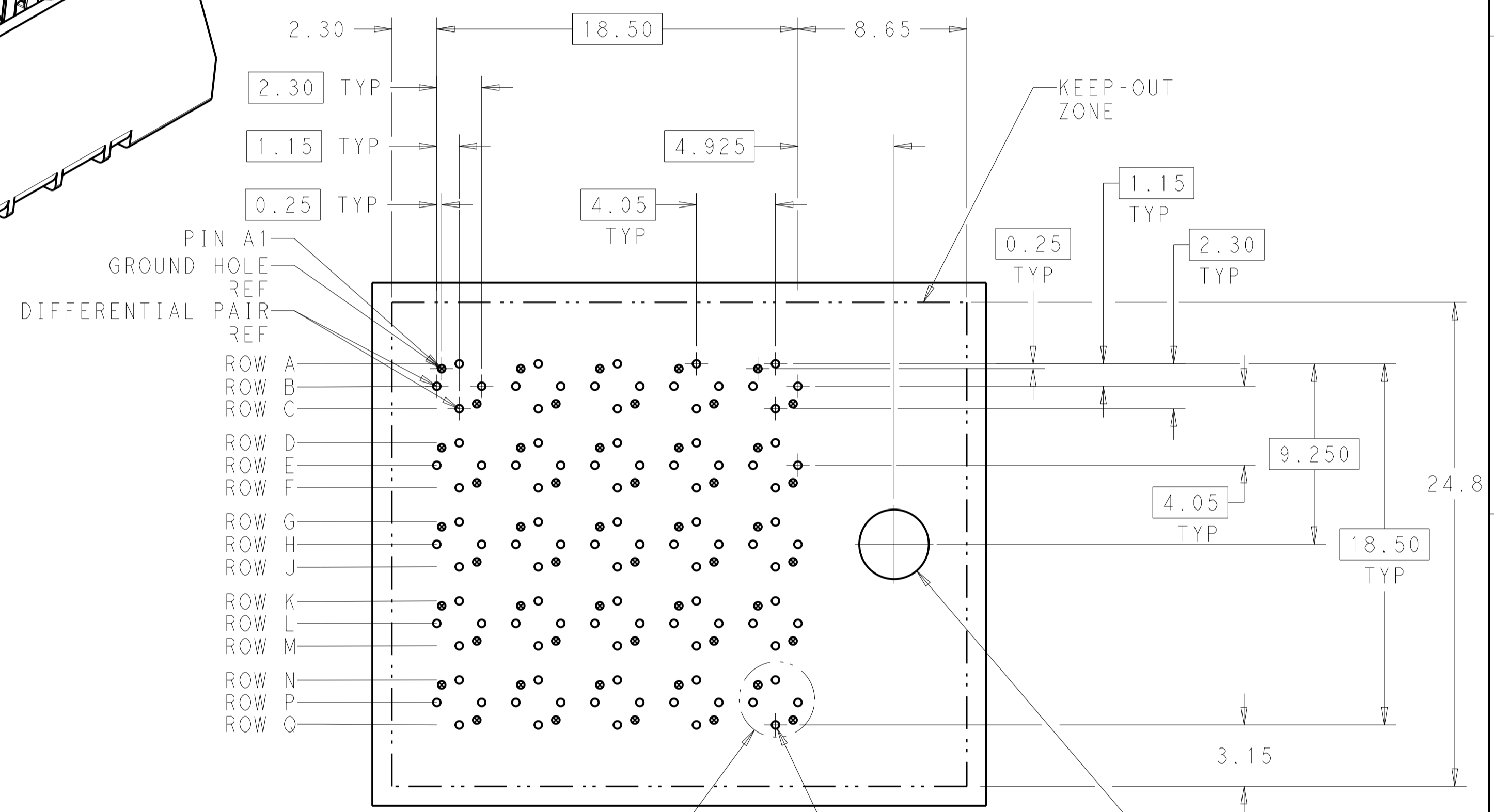
NOTCH DESIGNATES ROW A



- 1 MATERIAL:  
HOUSING: LCP, GLASS FILLED, UL94V-0.  
TERMINALS: HIGH PERFORMANCE COPPER ALLOY.
- 2 FINISH:  
30μ" MIN GOLD IN CONTACT AREA. SELECTIVE TIN ON PCB TAILS, NICKEL OVERALL.
- 3. SCREWS PACKAGED IN END OF PACKAGING TUBE.
- 4 FOR GROUNDED GUIDE PIN USE  $\varnothing 3.56 \pm 0.08$  PTH,  $\varnothing 3.66$  DRILL, AND  $\varnothing 6.5$  PAD.

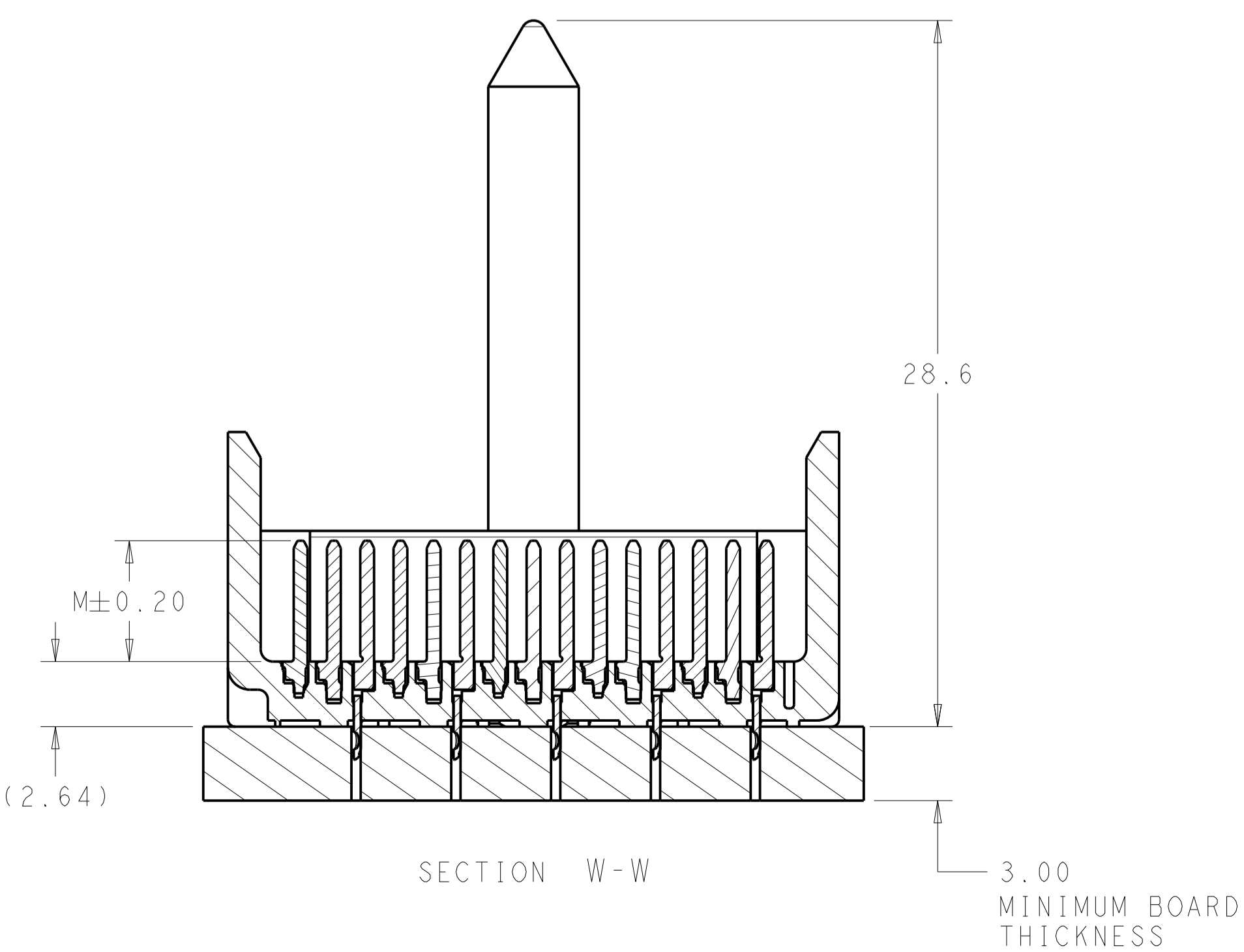
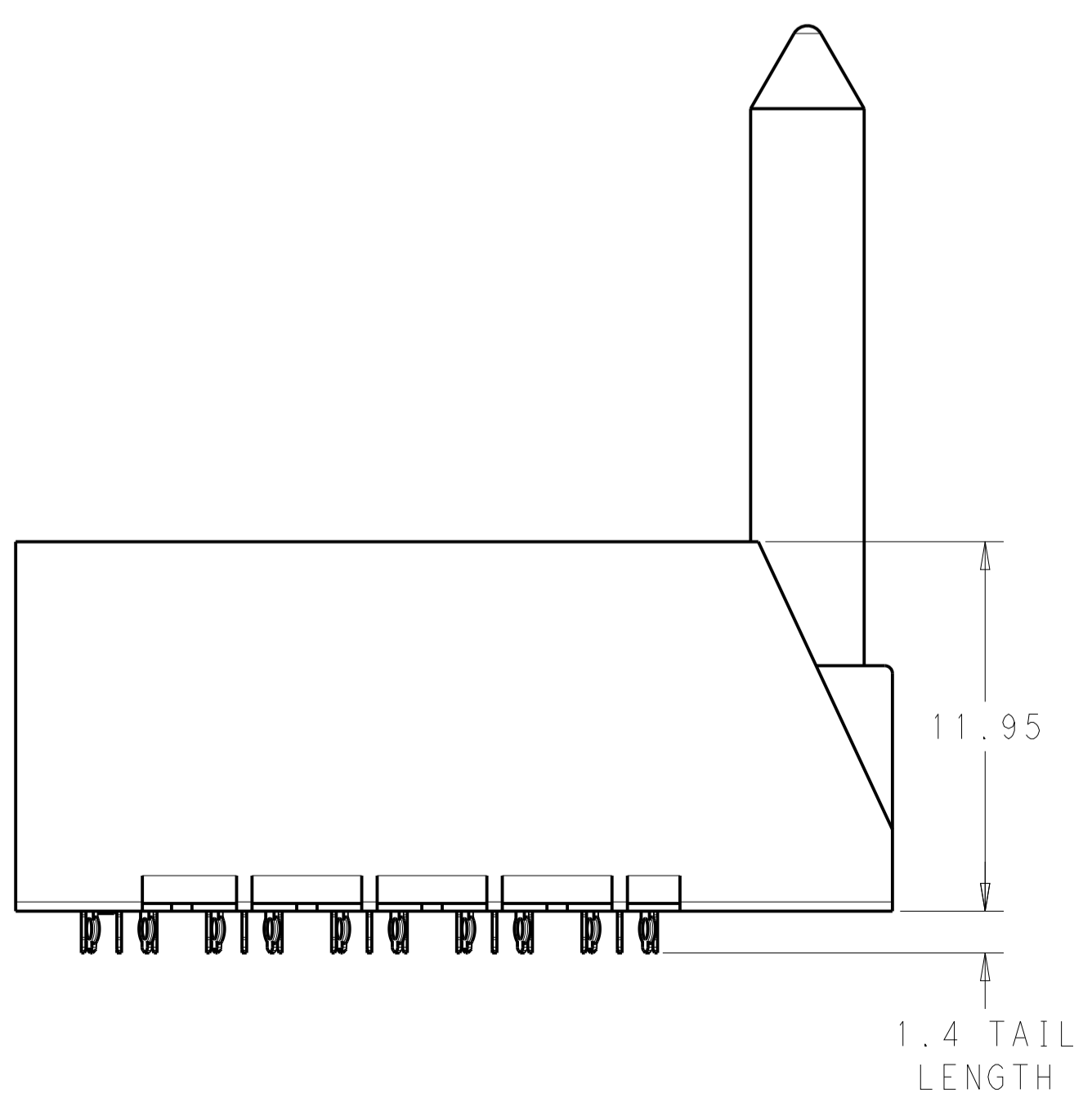


DETAIL X  
SCALE 16:1



SEE DETAIL X  
RIGHT GUIDED BACKPLANE HOLE PATTERN (CONNECTOR SIDE)

REFER TO WWW.TE.COM FOR PRODUCT AVAILABILITY



2	5.5	2143560-2
2	4.9	2143560-1
FINISH	DIM M	PART NUMBER

THIS DRAWING IS A CONTROLLED DOCUMENT.		OWN: KIRAN HOLLA 19NOV2012	
DIMENSIONS: mm		CHK: D. DIXON 19NOV2012	
TOLERANCES UNLESS OTHERWISE SPECIFIED:		APV: D. DIXON 19NOV2012	NAME: IMPACT, ORTHOGONAL, 5 PAIR, 10 COLUMN HEADER, RIGHT GUIDED, LEFT END WALL SIGNAL MODULE, 0.39 PTH SIZE: CAGE CODE: DRAWING NO: A100779 ©=2143560 RESTRICTED TO:
0 PLC ± 1 PLC ±0.25 2 PLC ±0.13 3 PLC ± 4 PLC ± ANGLES ±		PRODUCT SPEC: APPLICATION SPEC: WEIGHT: CUSTOMER DRAWING	
MATERIAL: SEE TABLE		SCALE: 5:1	SHEET 1 OF 1 REV B