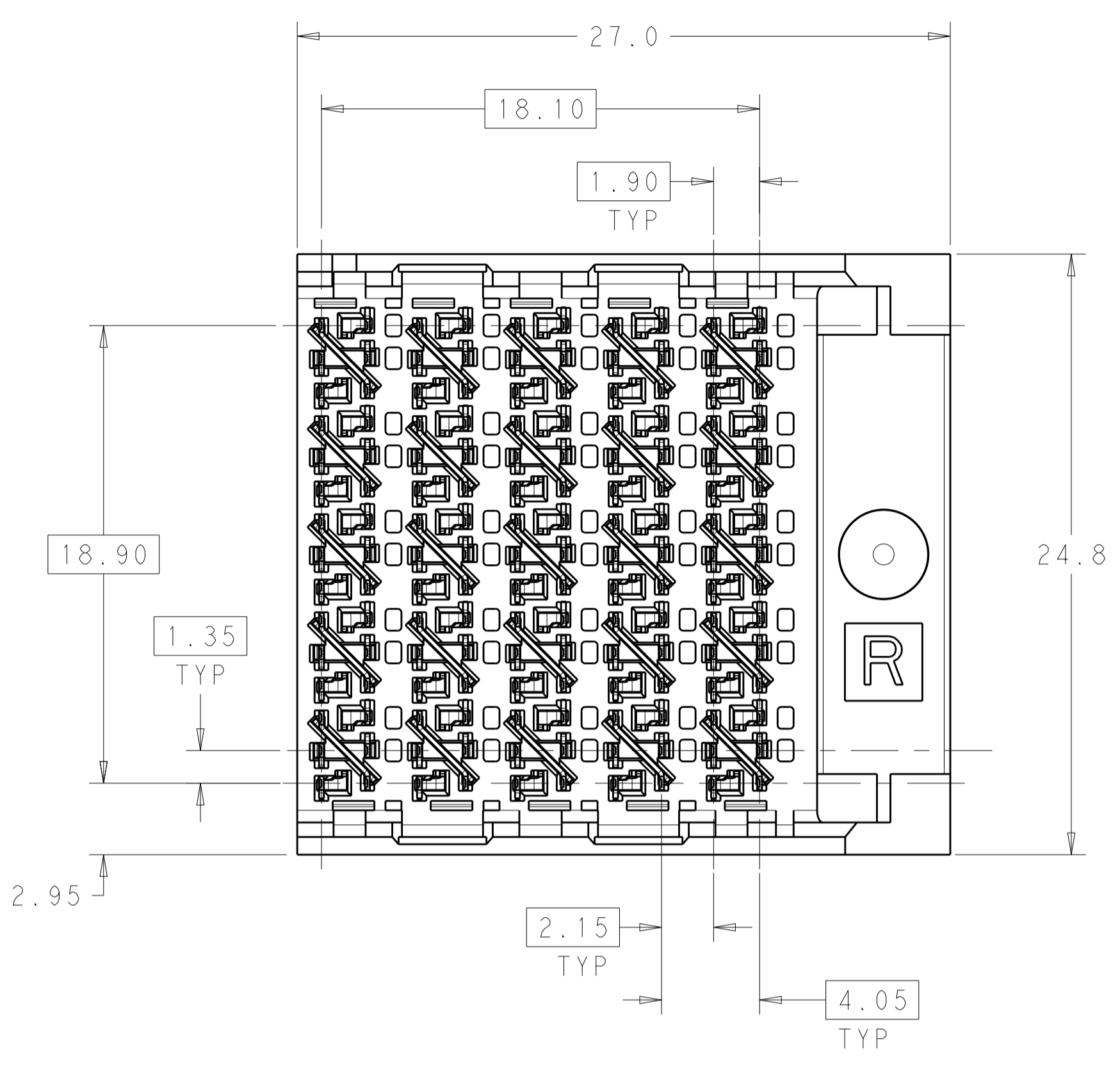
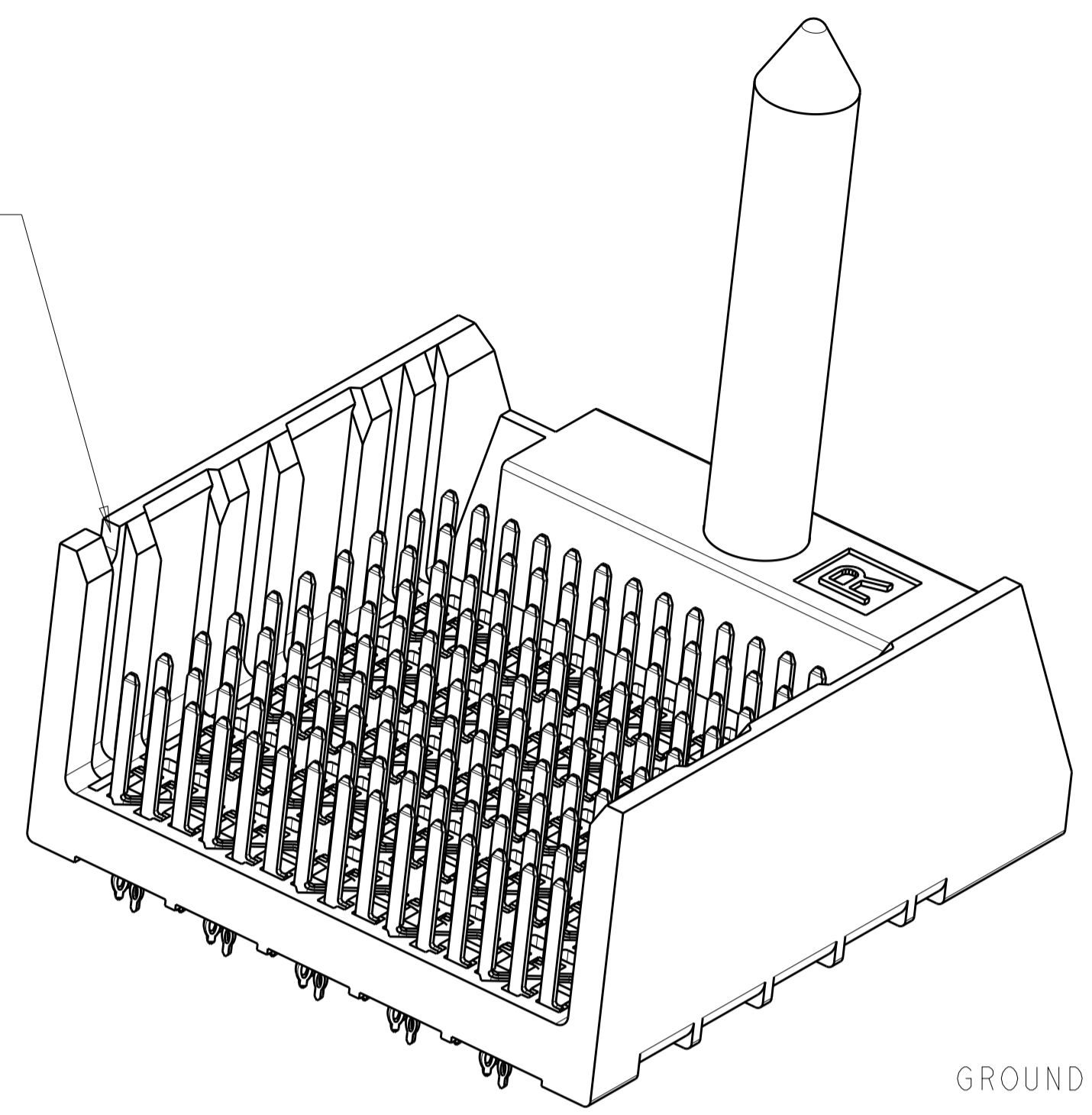


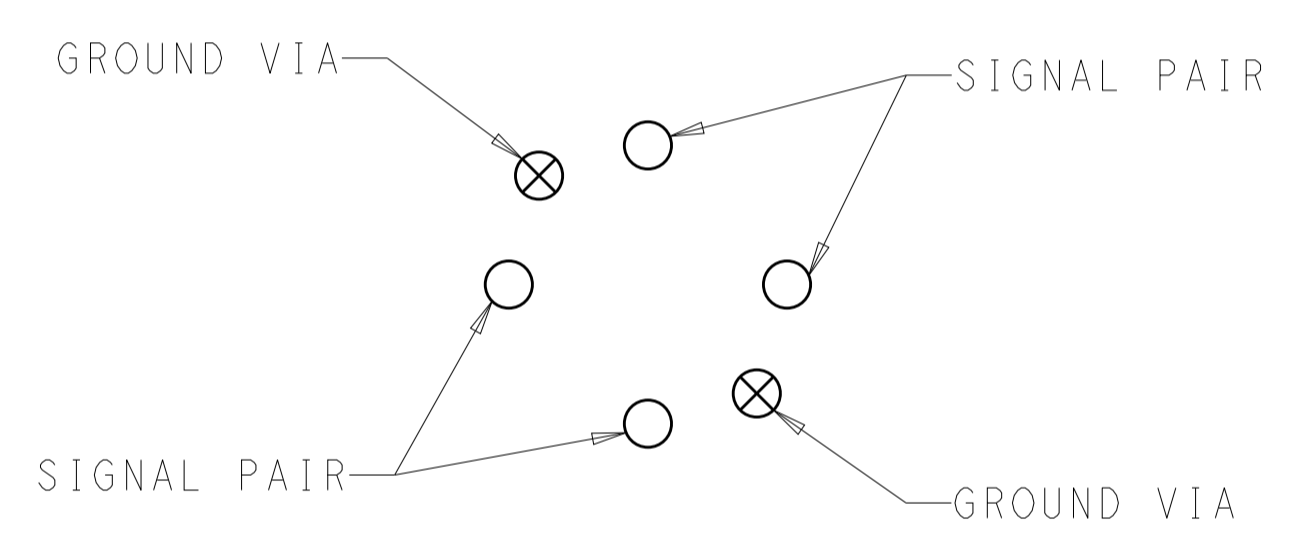
LOC		DIST		REVISIONS			
P	LTN	DATE	DMN	APVD			
B		REVISED PER ECO-14-013272	08SEP2014	AP	DD		



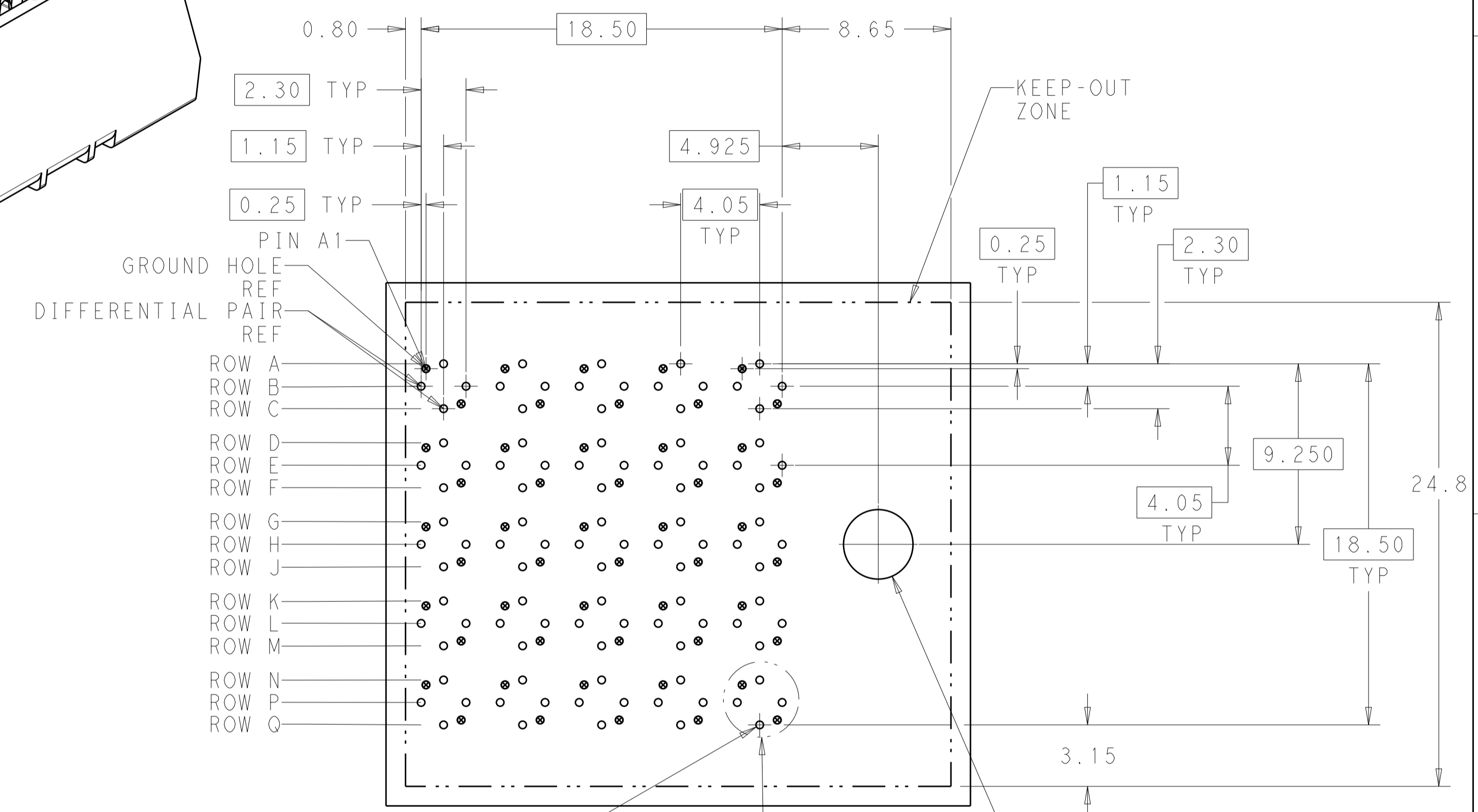
NOTCH DESIGNATES ROW A



- 1 MATERIAL:
HOUSING: LCP, GLASS FILLED, UL94V-0.
TERMINALS: HIGH PERFORMANCE COPPER ALLOY.
- 2 FINISH:
30µ" MIN GOLD IN CONTACT AREA. SELECTIVE TIN ON PCB TAILS, NICKEL OVERALL.
- 3. SCREWS PACKAGED IN END OF PACKAGING TUBE.
- 4 FOR GROUNDED GUIDE PIN USE $\varnothing 3.56 \pm 0.08$ PTH, $\varnothing 3.66$ DRILL, AND $\varnothing 6.5$ PAD.

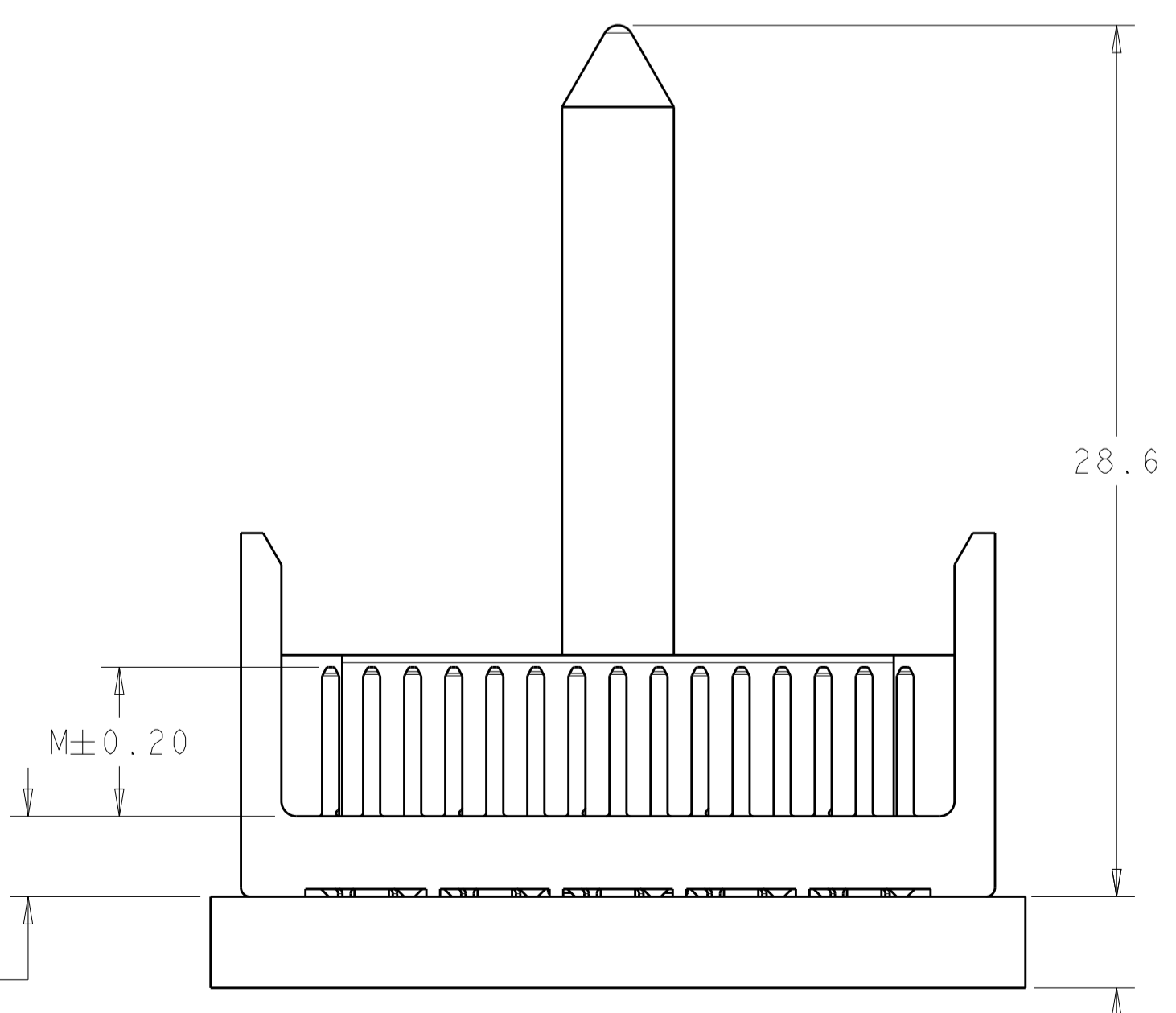
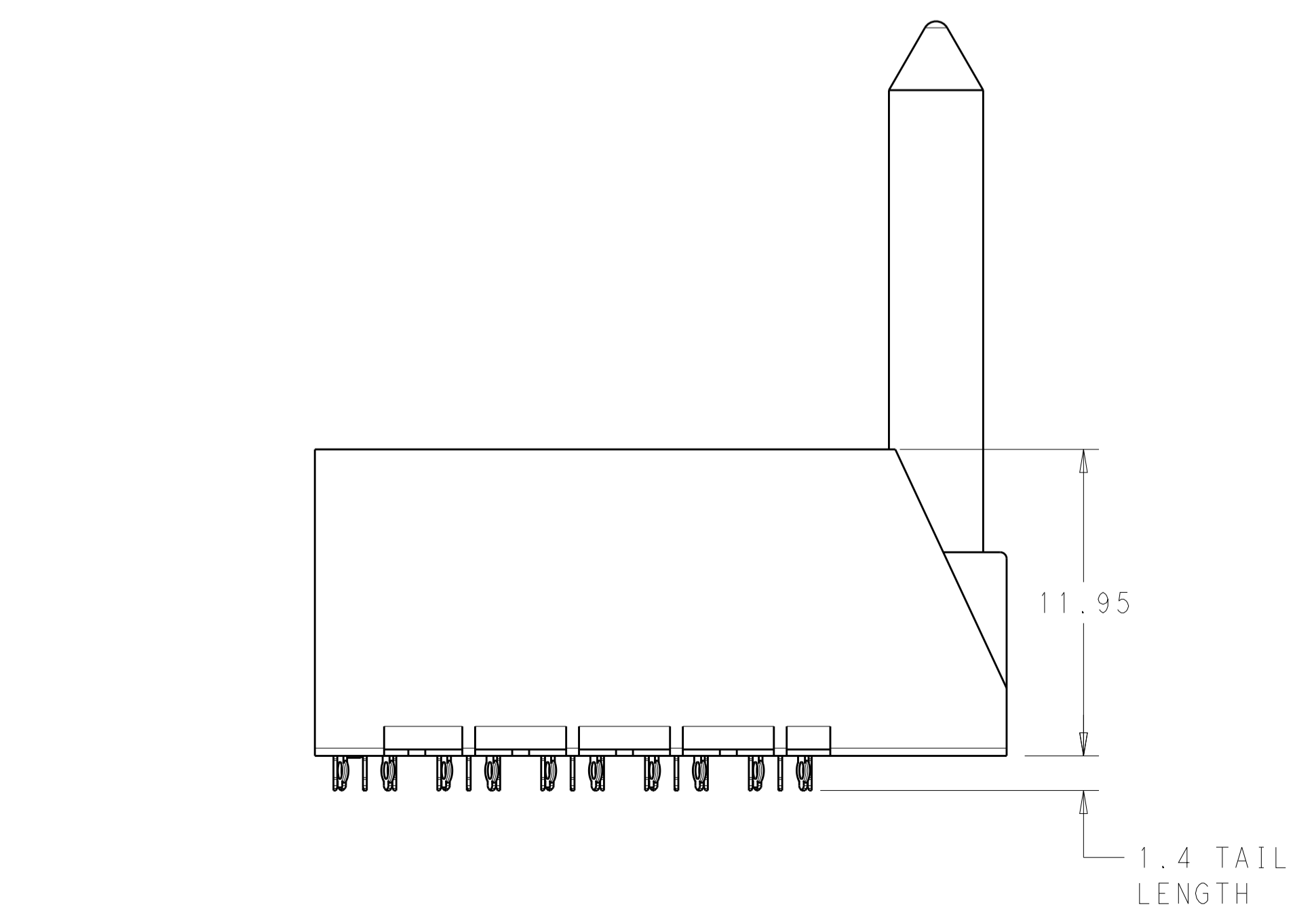


DETAIL X
SCALE 16:1



- 150X $\varnothing 0.39 \pm 0.08$ PLATED THRU HOLE
- 150X $\varnothing 0.48 \pm 0.013$ DRILL HOLE $\varnothing 0.10$
- RIGHT GUIDED BACKPLANE HOLE PATTERN (CONNECTOR SIDE)
- $\varnothing 3.56 \pm 0.08$ UNPLATED SCREW HOLE

REFER TO WWW.TE.COM FOR PRODUCT AVAILABILITY



2	5.5	2143559-2
2	4.9	2143559-1
FINISH	DIM M	PART NUMBER

THIS DRAWING IS A CONTROLLED DOCUMENT.		DMN: KIRAN HOLAL 19NOV2012	TE Connectivity NAME: IMPACT, ORTHOGONAL, 5 PAIR, 10 COLUMN HEADER, RIGHT GUIDED, OPEN END WALL SIGNAL MODULE, 0.39 PTH SIZE: CAGE CODE DRAWING NO: A100779C=2143559 RESTRICTED TO:
DIMENSIONS: mm		CHK: D. DIXON 19NOV2012	
TOLERANCES UNLESS OTHERWISE SPECIFIED:		APVD: D. DIXON 19NOV2012	
0 PLC ± 1 PLC ±0.25 2 PLC ±0.13 3 PLC ± 4 PLC ± ANGLES ±		PRODUCT SPEC	
MATERIAL:	FINISH: SEE TABLE	WEIGHT:	APPLICATION SPEC
		CUSTOMER DRAWING	SCALE: 5:1 SHEET 1 OF 1 REV B