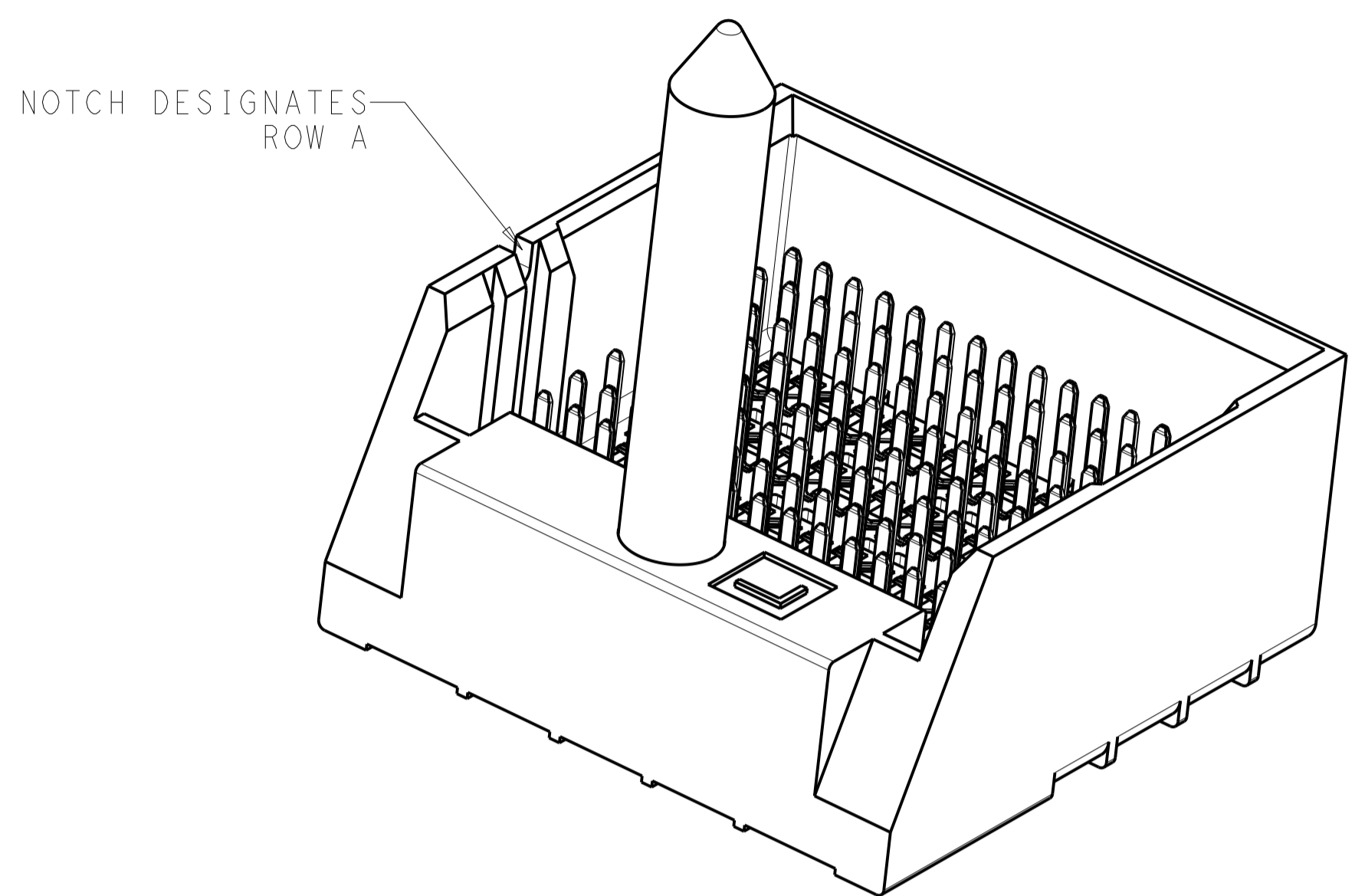
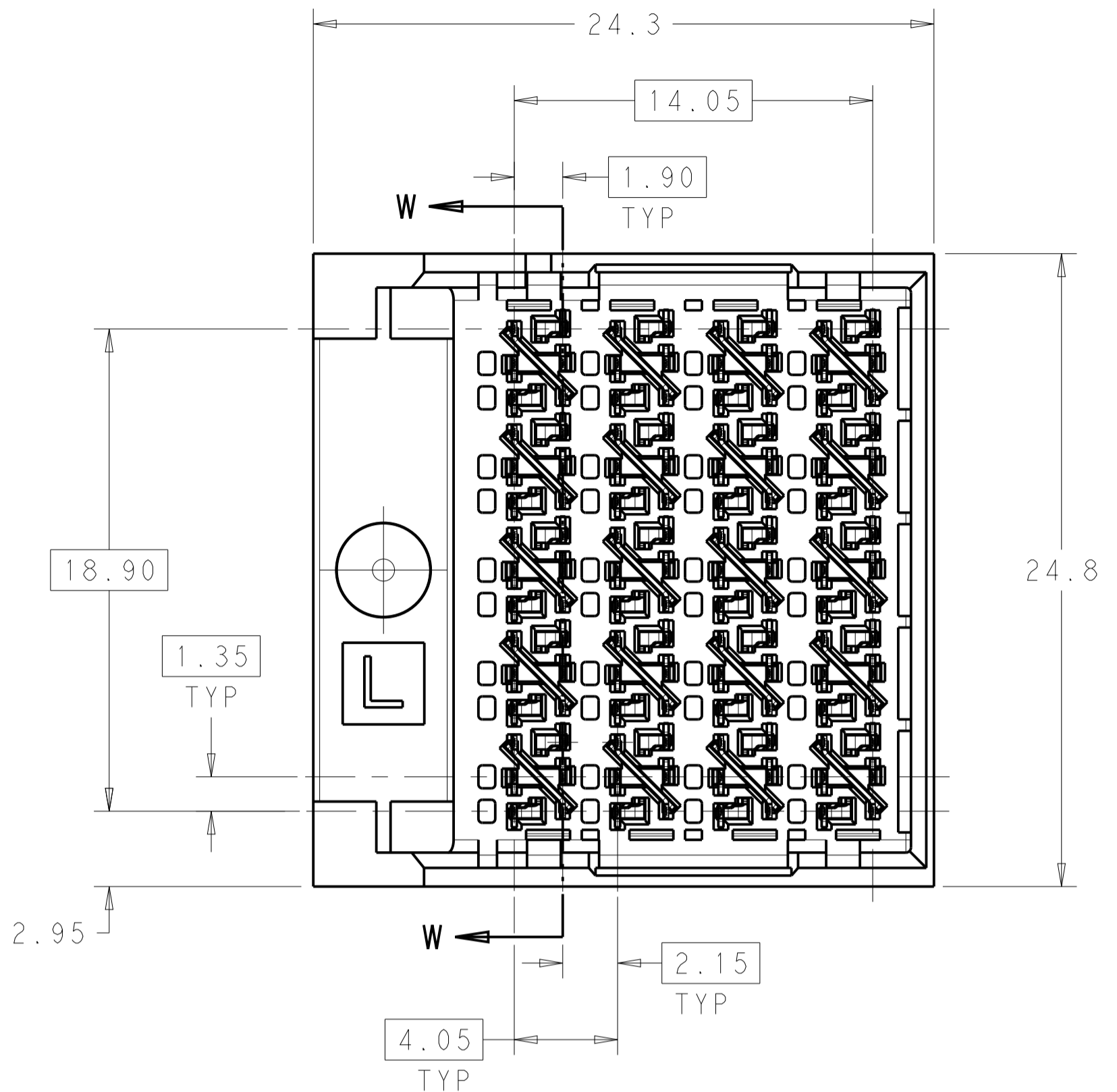
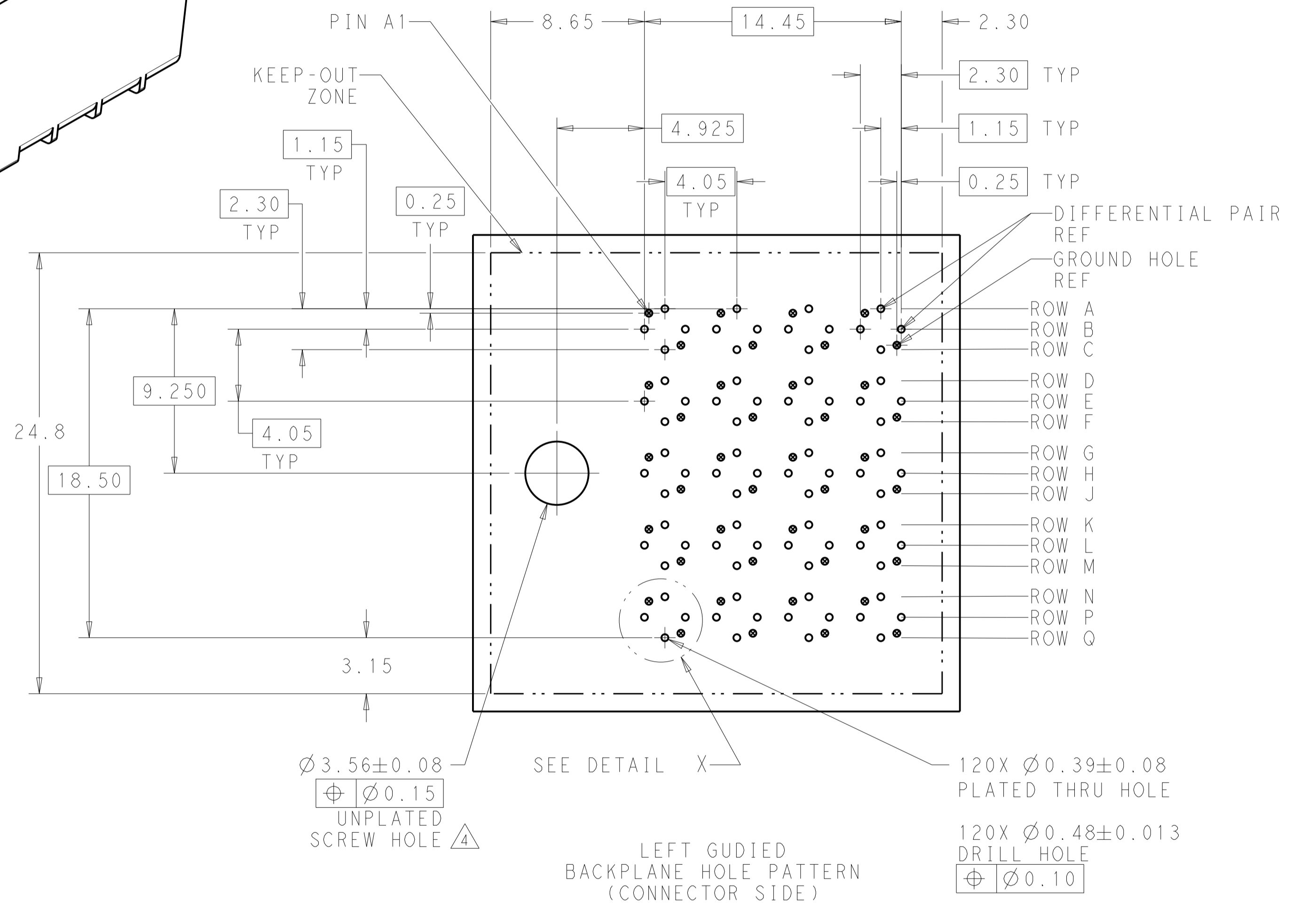
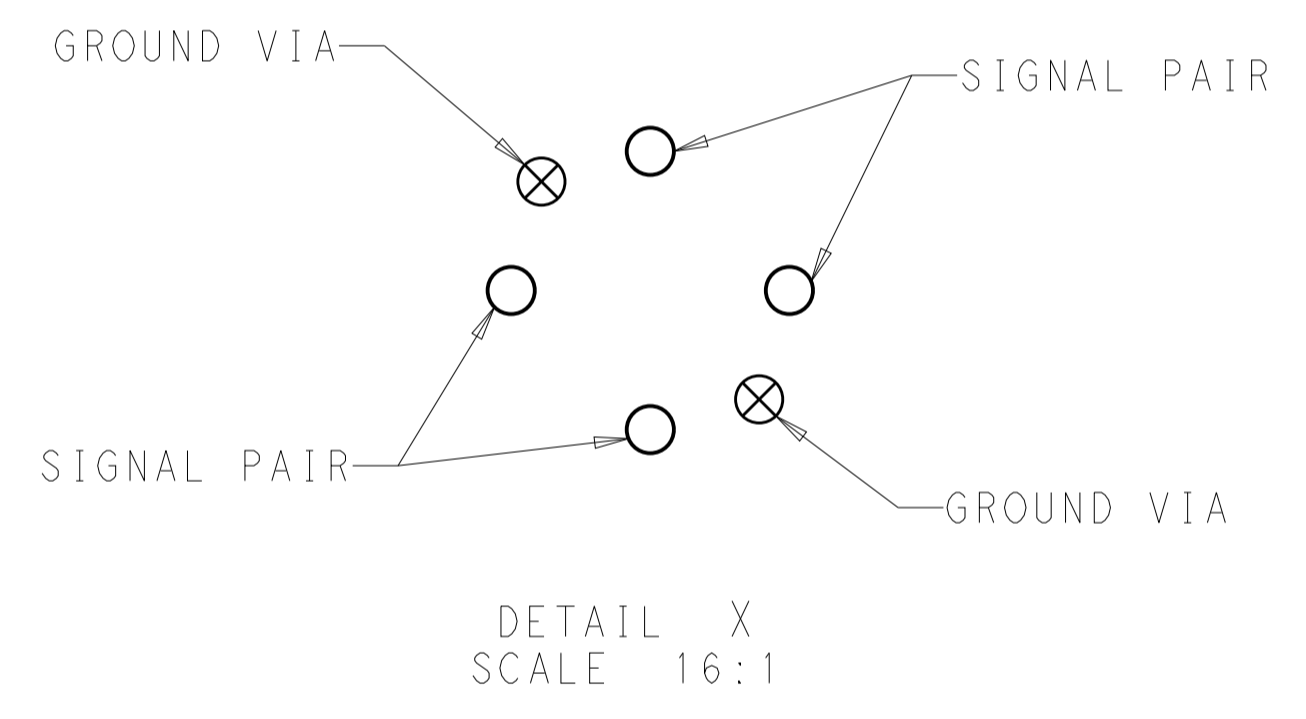


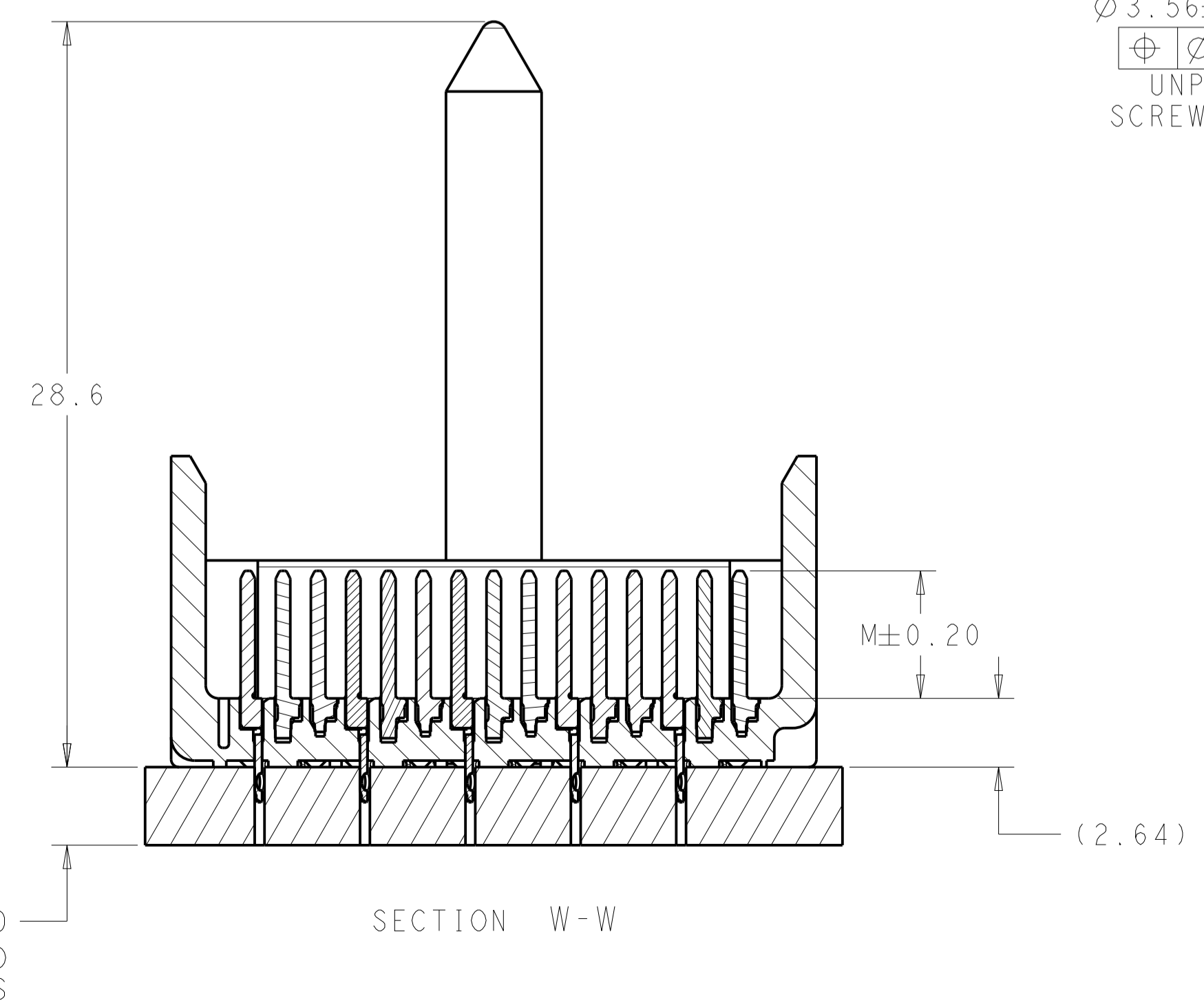
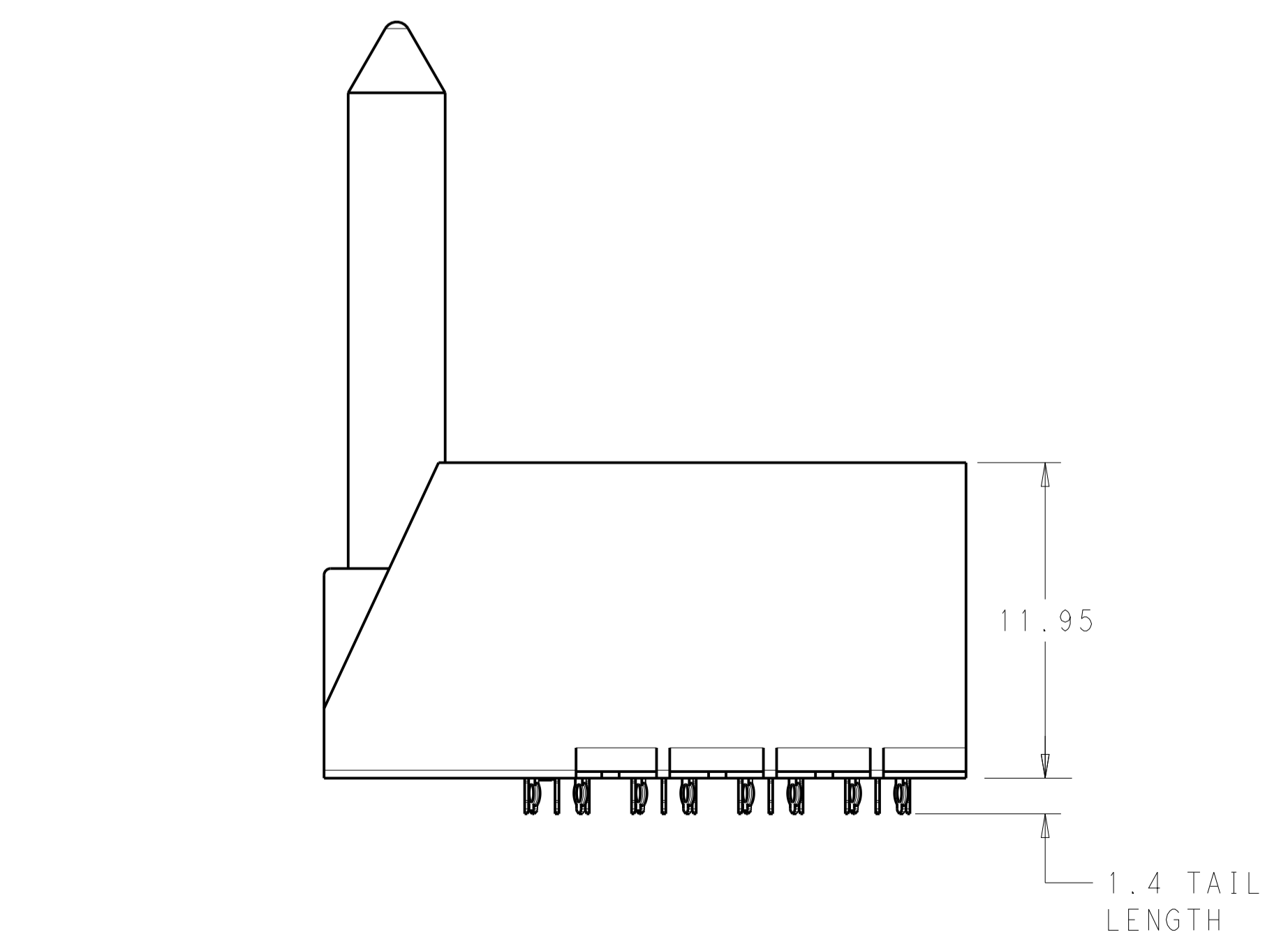
| REVISIONS | | | | |
|-----------|-----|---------------------------|-----------|-------|
| P. | LTM | DESCRIPTION | DATE | APVD |
| B | | REVISED PER ECO-14-013272 | 08SEP2014 | AP DD |



- 1 MATERIAL:
HOUSING: LCP, GLASS FILLED, UL94V-0.
TERMINALS: HIGH PERFORMANCE COPPER ALLOY.
- 2 FINISH:
30µ" MIN GOLD IN CONTACT AREA. SELECTIVE TIN ON PCB TAILS, NICKEL OVERALL.
- 3. SCREWS PACKAGED IN END OF PACKAGING TUBE.
- 4 FOR GROUNDED GUIDE PIN USE Ø3.56±0.08 PTH, Ø3.66 DRILL, AND Ø6.5 PAD.



REFER TO WWW.TE.COM FOR PRODUCT AVAILABILITY



| | | |
|-------------|-----|-----------|
| FINISH | 5.5 | 2143546-2 |
| DIM M | 4.9 | 2143546-1 |
| PART NUMBER | | |

| | | | |
|--|-----------|----------------------------|--|
| THIS DRAWING IS A CONTROLLED DOCUMENT. | | OWN: KIRAN HOLAL 11DEC2012 | NAME: IMPACT, ORTHOGONAL, 5 PAIR, 8 COLUMN HEADER, LEFT GUIDED, RIGHT END WALL SIGNAL MODULE, 0.39 PTH |
| DIMENSIONS: mm | | CHK: D. DIXON 11DEC2012 | PRODUCT SPEC: - |
| TOLERANCES UNLESS OTHERWISE SPECIFIED: | | APVD: D. DIXON 11DEC2012 | APPLICATION SPEC: - |
| 0 PLC | ± | | |
| 1 PLC | ±0.25 | | |
| 2 PLC | ±0.13 | | |
| 3 PLC | ± | | |
| 4 PLC | ± | | |
| ANGLES | ± | | |
| MATERIAL: | SEE TABLE | WEIGHT: - | SIZE: CAGE CODE DRAWING NO: A100779 |
| FINISH: | SEE TABLE | RESTRICTED TO: - | SCALE: 5:1 SHEET 1 OF 1 REV B |
| Customer Drawing | | SCALE: 5:1 | SHEET 1 OF 1 REV B |