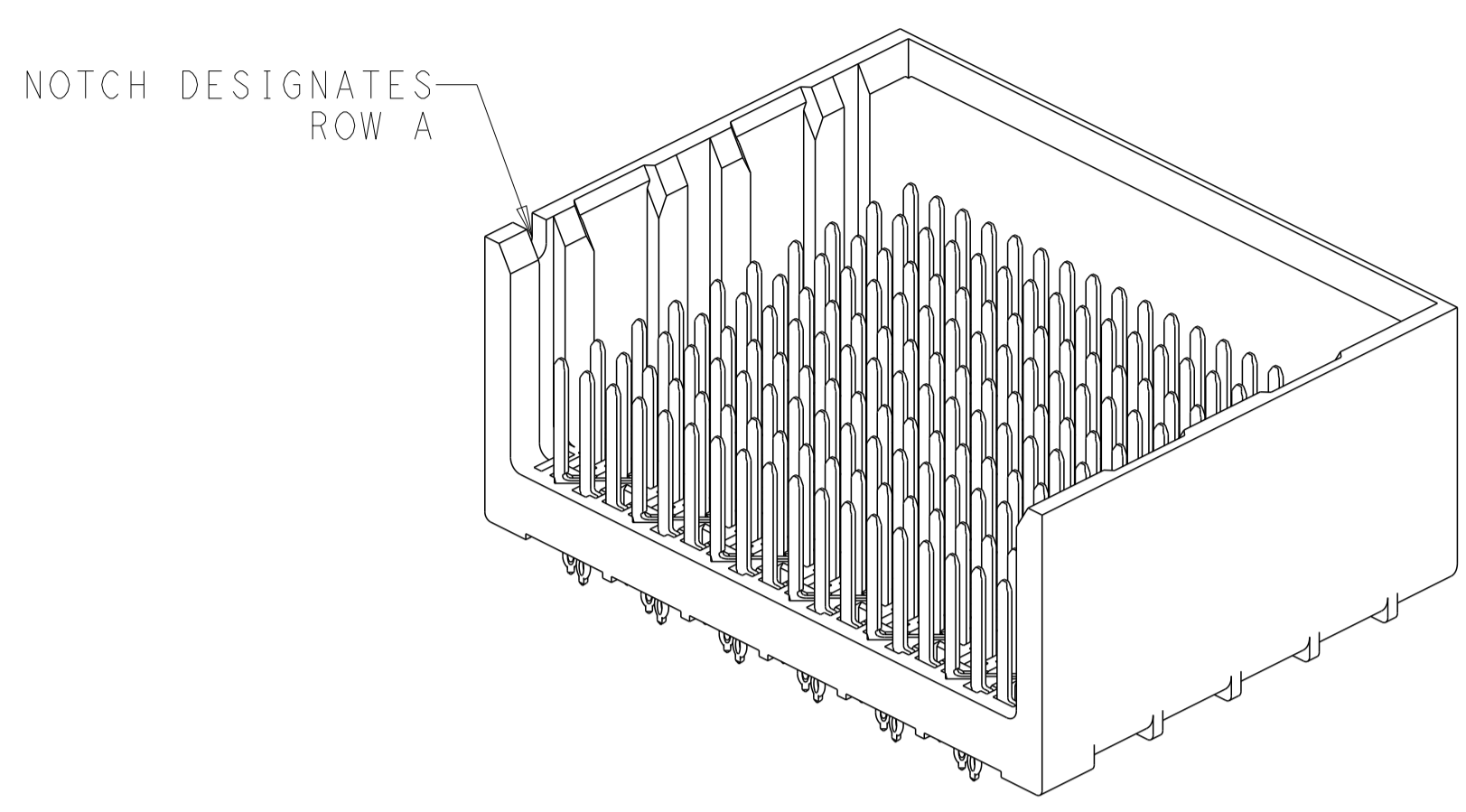
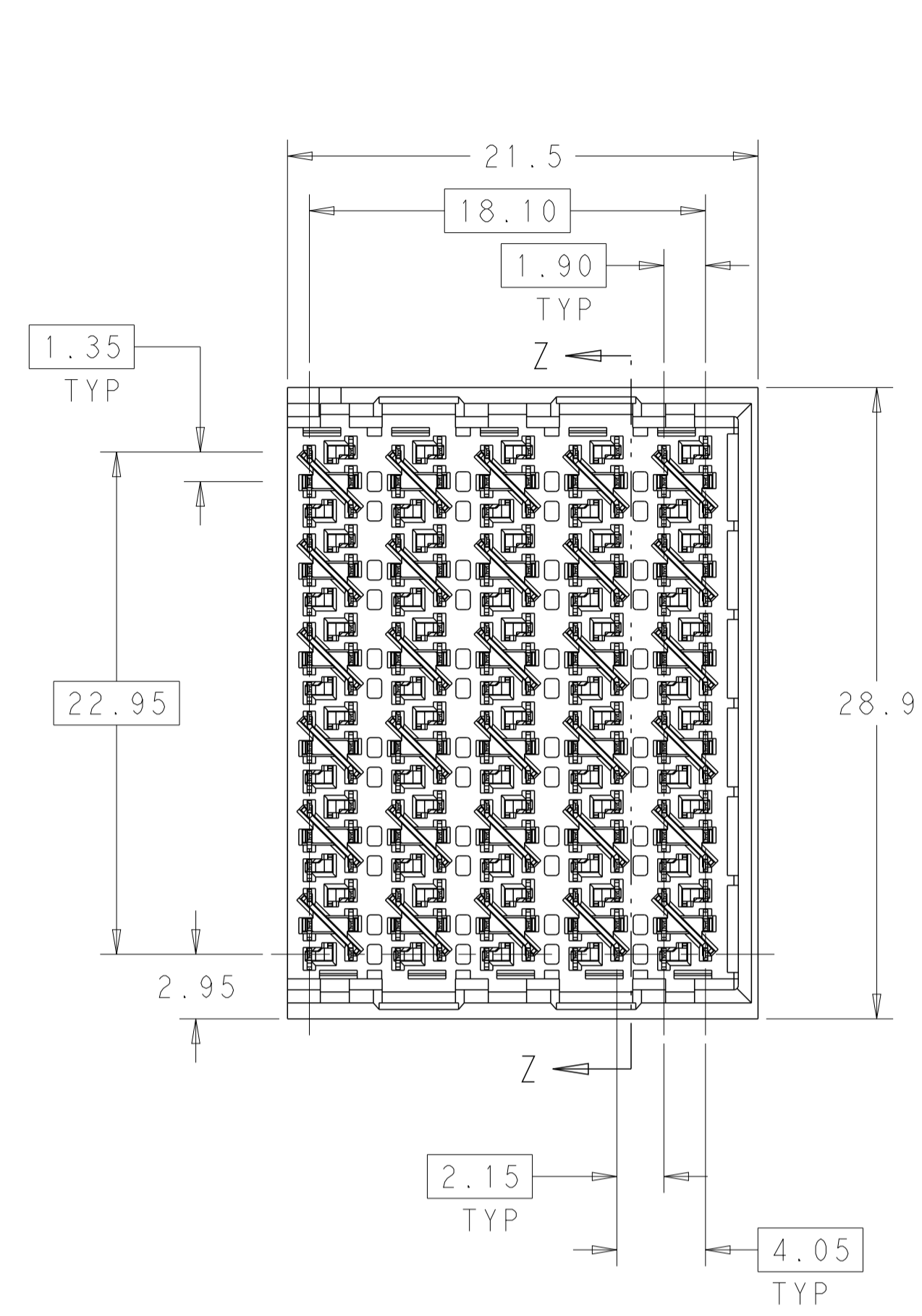
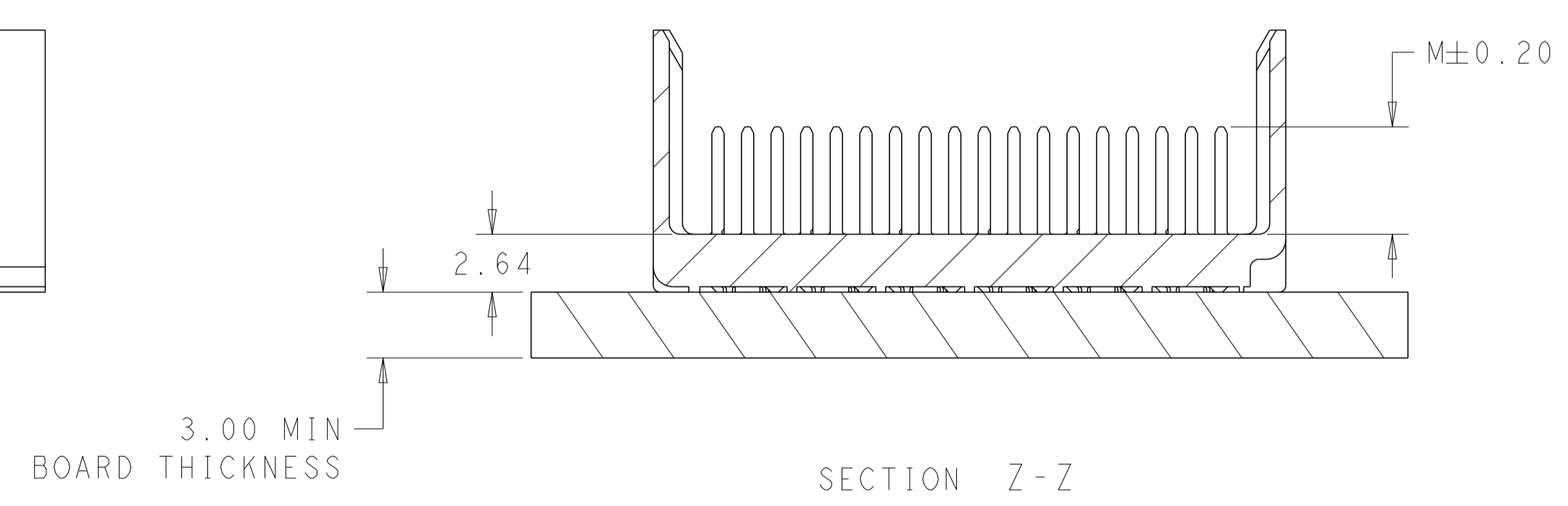
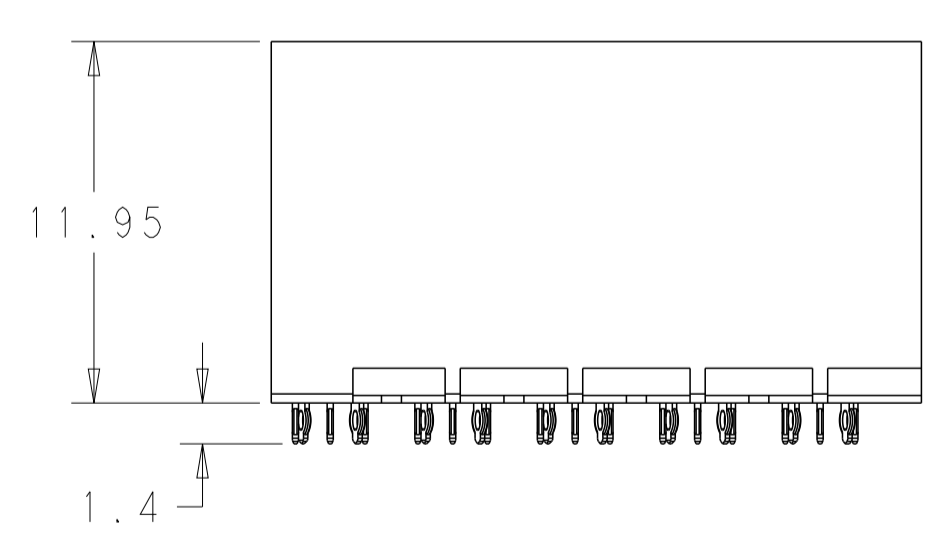
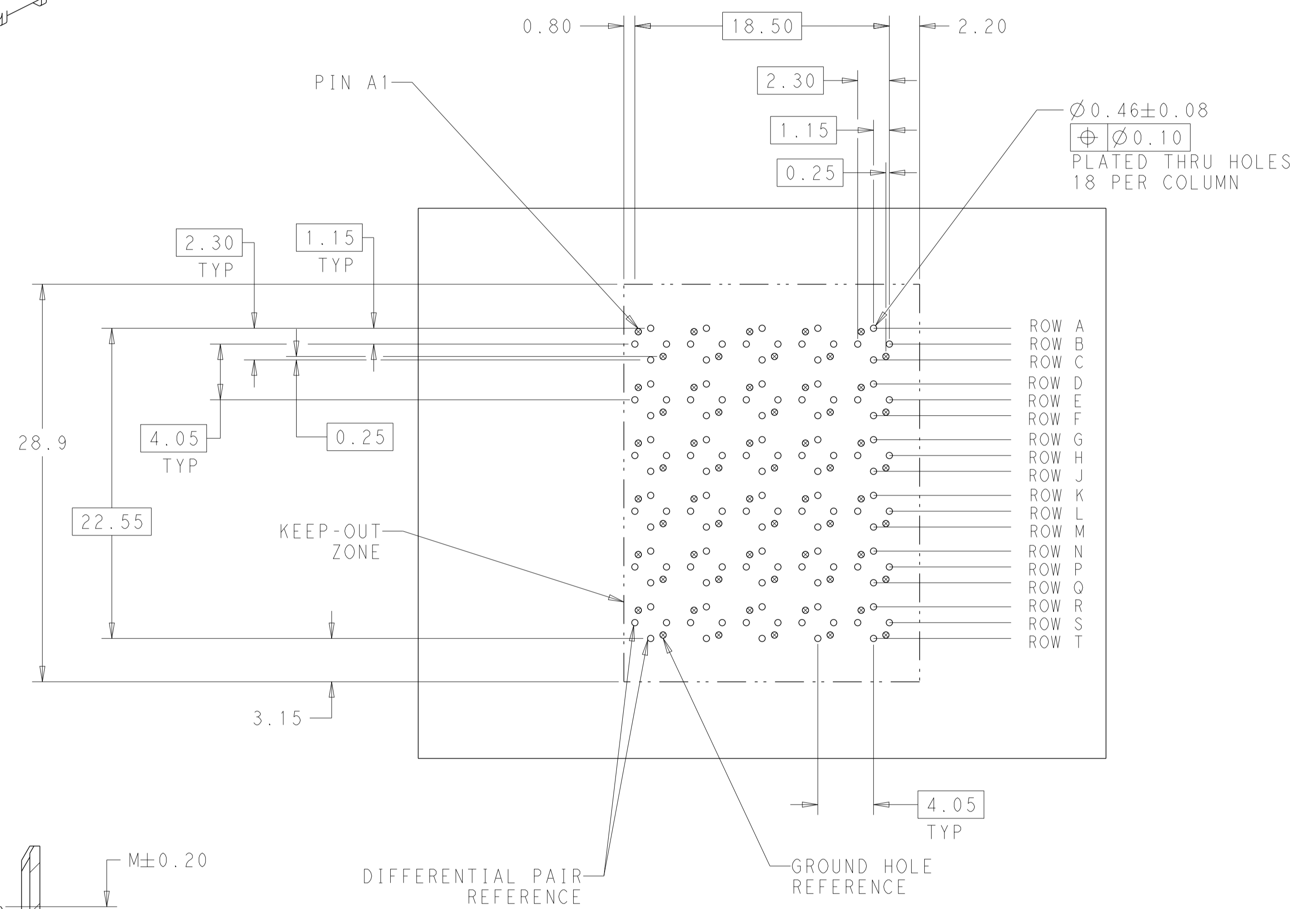


REVISIONS				
P	LTN	DESCRIPTION	DATE	APVD
C		REVISED PER ECO-14-013273	31OCT2014	AP DD
C1		REVISED PER ECN-24-252036	12MAR2024	AP RS



⚠ MATERIAL:
 HOUSING: LCP GLASS FILLED UL94V-0
 TERMINALS: HIGH PERFORMANCE COPPER ALLOY

⚠ FINISH:
 30μ" MIN GOLD IN CONTACT AREA
 SELECTIVE TIN ON PCB TAILS.
 NICKEL OVERALL.



LEFT GUIDED
 BACKPLANE HOLE PATTERN
 (CONNECTOR SIDE)
 SCALE 4:1

⚠	5.5	2143264-2
⚠	4.9	2143264-1
FINISH	DIM M	PART NUMBER

THIS DRAWING IS A CONTROLLED DOCUMENT.

DIMENSIONS: mm

TOLERANCES UNLESS OTHERWISE SPECIFIED:

0 PLC	±
1 PLC	±0.25
2 PLC	±0.13
3 PLC	±
4 PLC	±
ANGLES	±0

MATERIAL: SEE TABLE

FINISH: SEE TABLE

APVD: J. EARY 03JAN2011

NAME: IMPACT, 6 PAIR, 10 COLUMN, UNGUIDED RIGHT END WALL ASSEMBLY, ORTHOGONAL, 0.46 PTH

SIZE: A1

WEIGHT: -

CAGE CODE: 100779

DRAWING NO: 2143264

SCALE: 4:1

SHEET: 1 OF 1

REV: C1

CUSTOMER DRAWING

TE Connectivity