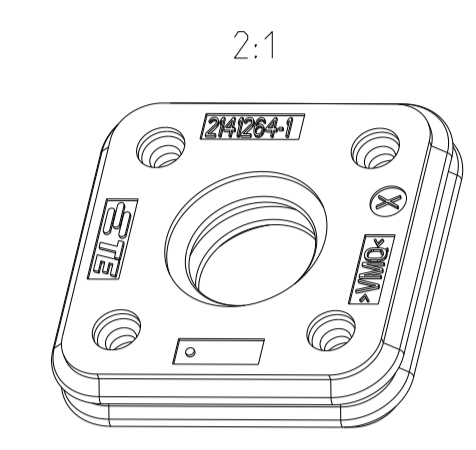
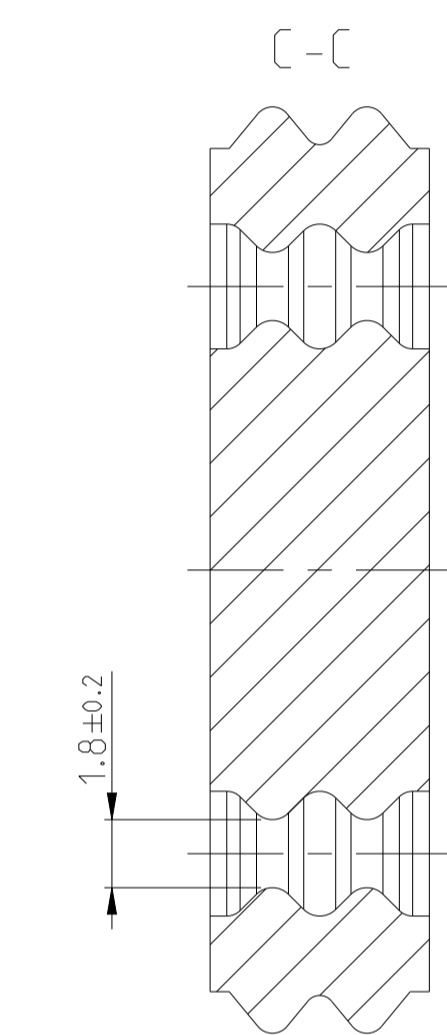
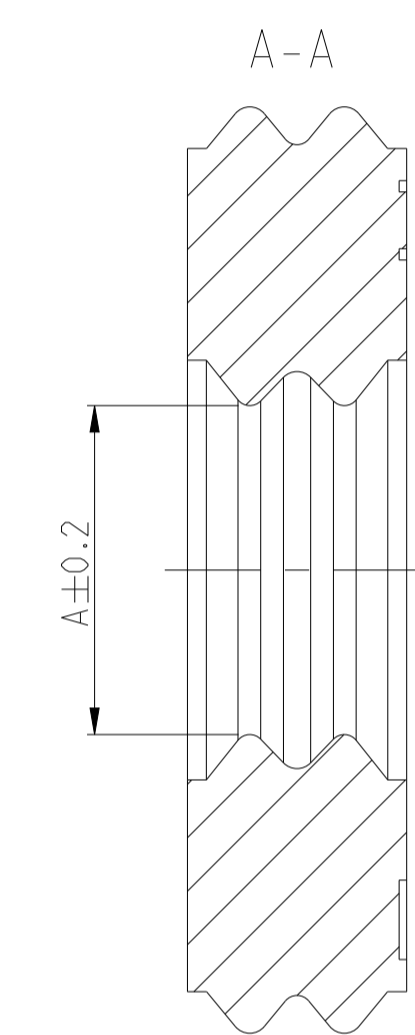
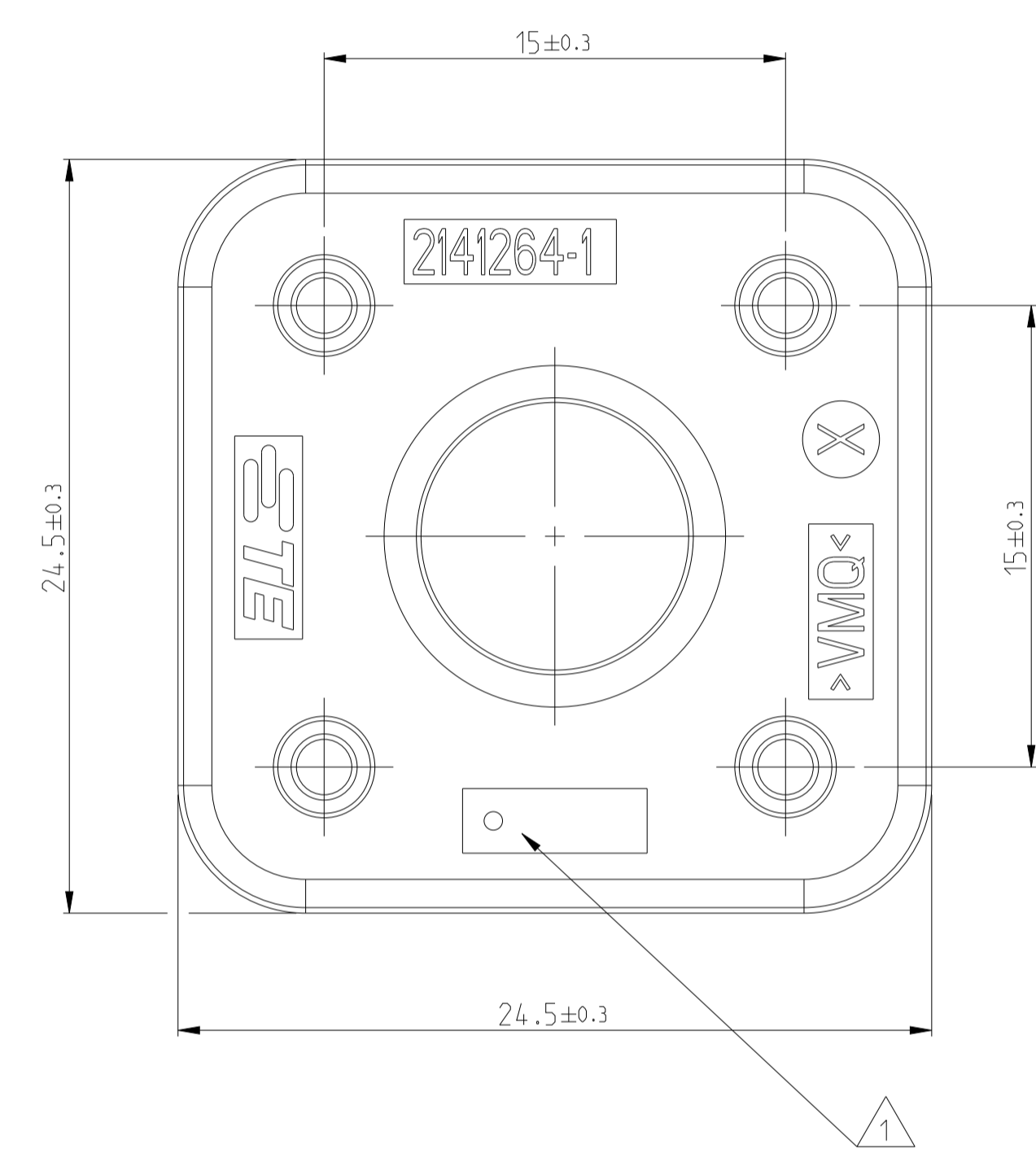


REVISIONS					
REV	LTN	DESCRIPTION	DATE	OWN	APVD
C1		Revisionspunkte in Tabelle hinzu	24NOV2016	RSC	KKI
C2		0-2141264-2 has been reactivated	31MAR2021	SK	TS
D		Part Rev Marking Updated	07DEC2023	VR	KPY
D1		9-2141264-3 VARIANT IS OBSOLETE	04APR2024	JJH	KP



TE ORDER NO.	REV	DESCRIPTION	DIMENSION A	FOR WIRE ISOLATION DIAMETER [mm]	MATERIAL	WEIGHT [g]	COLOUR
2141264-4	B (2 DOT)	SINGLE WIRE SEAL, AMP MCP6.3/4.8K Kabeldichtung einzeln, AMP MCP6.3/4.8K	11.5	12.2 - 12.8	SILICON	3	YELLOW
2141264-3	C (4 DOTS)		9.4	10.7 - 11.3			BLUE
2141264-2	A (1 DOT)		8.2	9.3 - 9.9			GREEN
2141264-1	-		8.7	9.9 - 10.5			WHITE

NOTE Bem.	FEATURE Merkmal	TE-PART-NO. Teil-Nr.
1	ENTIRE ASSEMBLY SEE Gesamtzusammenbau siehe	114-94100-1
2	PRODUCT-SPEC. Produkt-Spez.	108-94264
3	APPLICATION SPEC. Verarbeitungsspez.	114-94100

THIS DRAWING IS A CONTROLLED DOCUMENT. DIMENSIONING AND TOLERANCING PER GPS (ISO STANDARDS).

OWN: Vishwa A 08FEB2011  
CHK: U.Hoedinger 28APR2011  
APVD: T.Reissenegger 04MAY2011

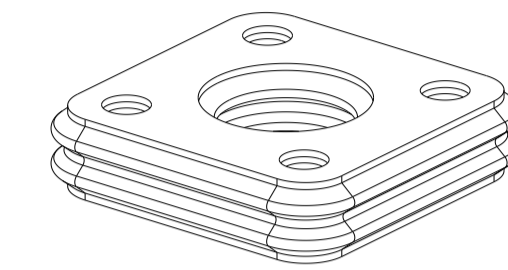
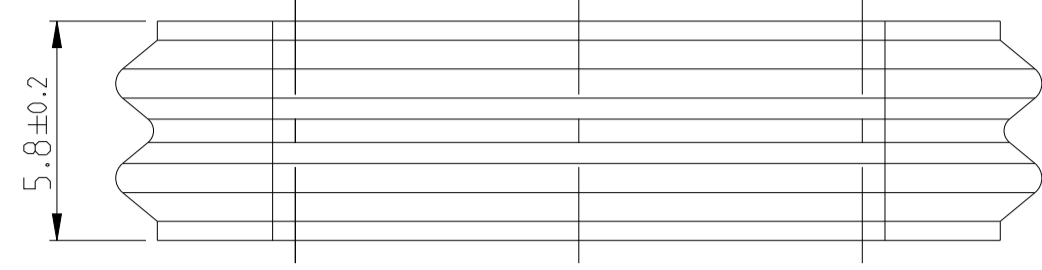
NAME: SINGLE WIRE SEAL, AMP MCP6.3/4.8K  
Kabeldichtung einzeln, AMP MCP6.3/4.8K

TE Connectivity

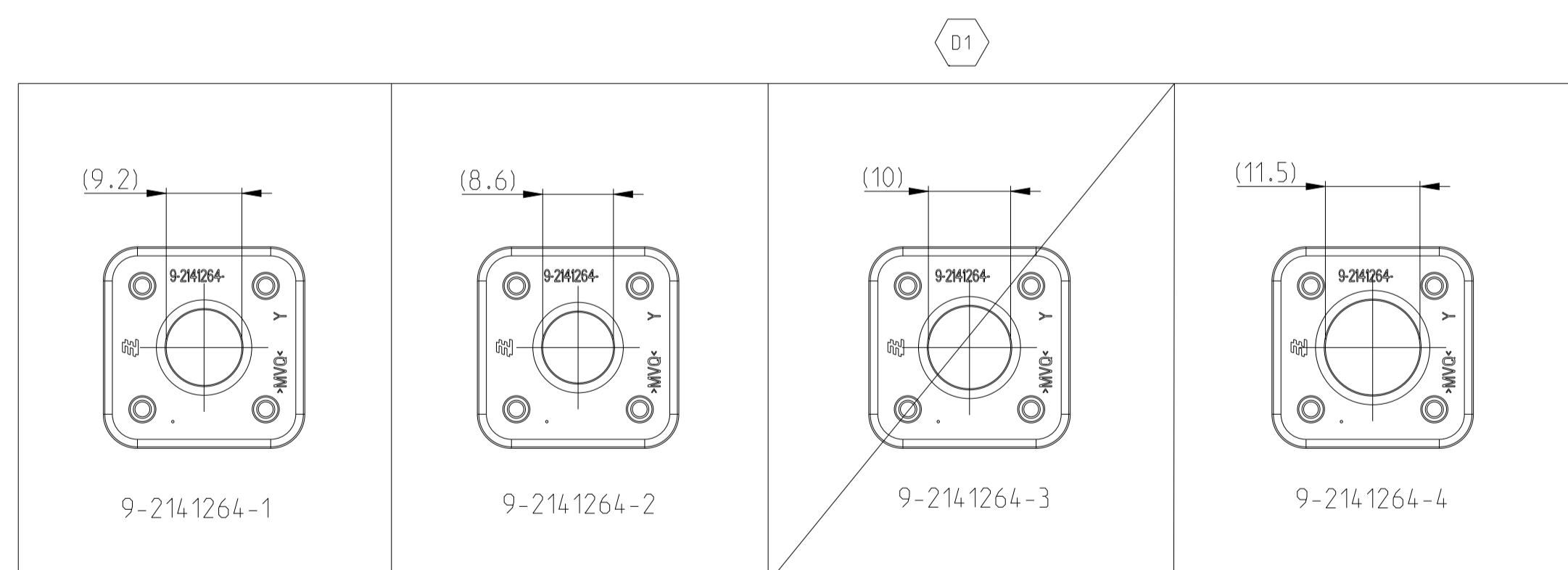
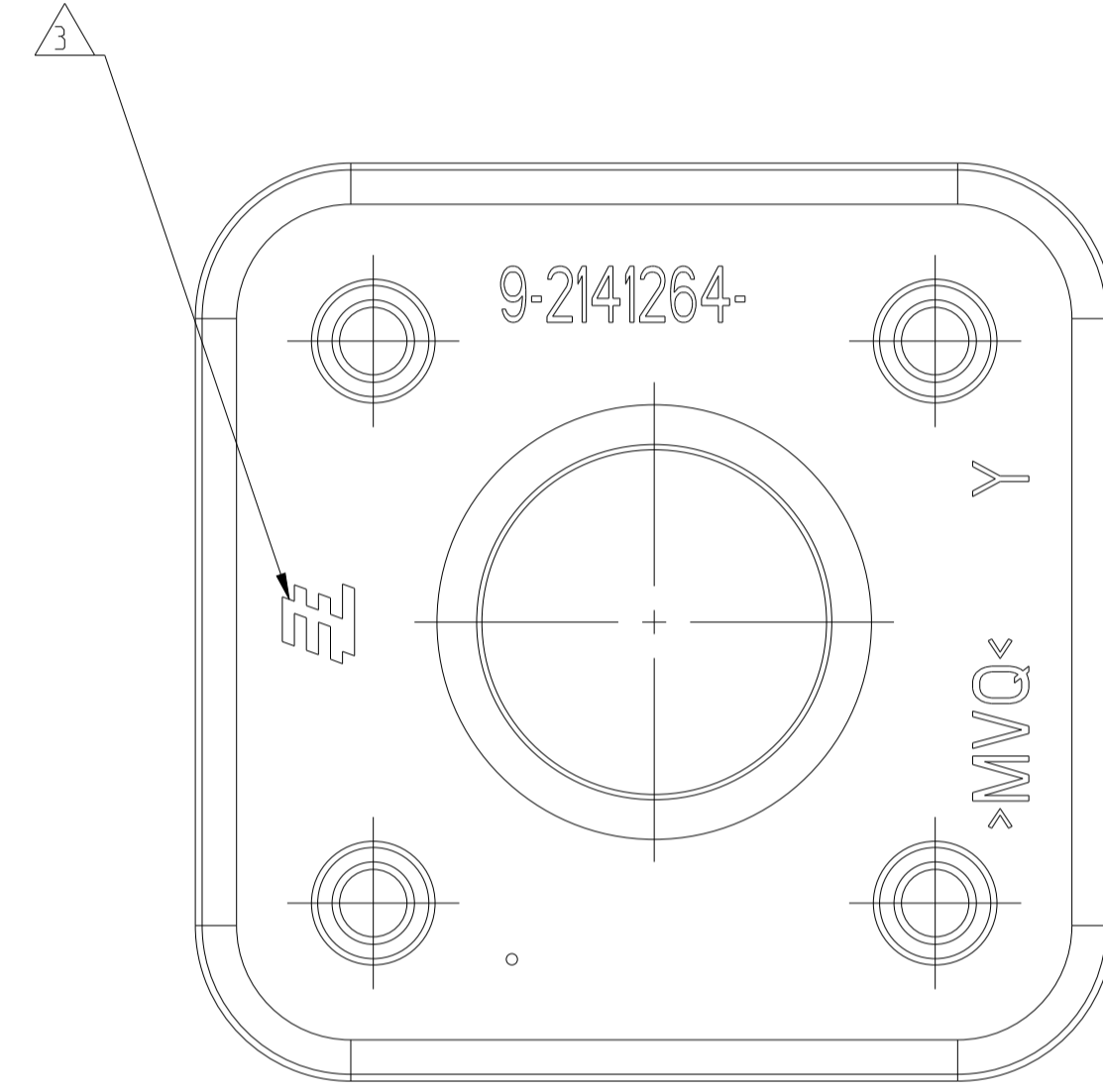
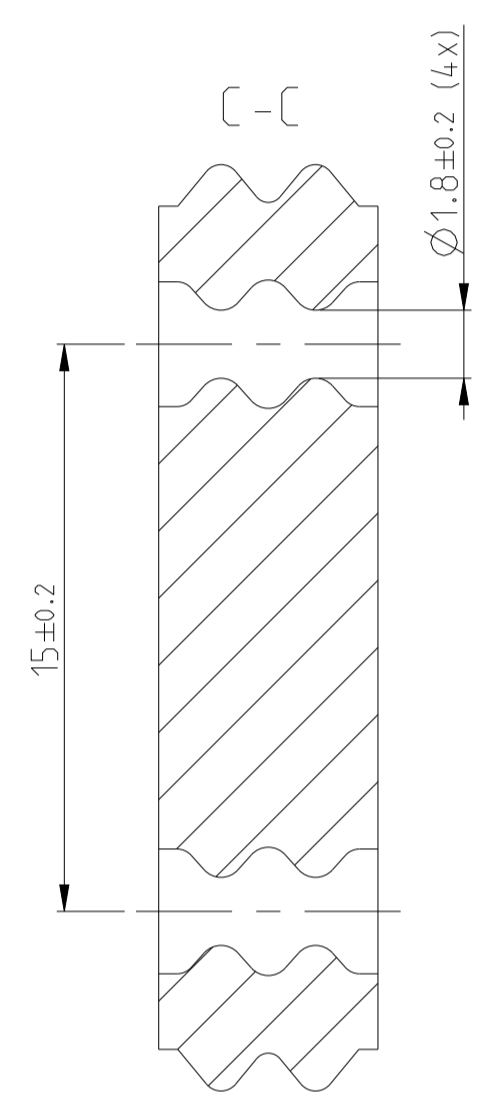
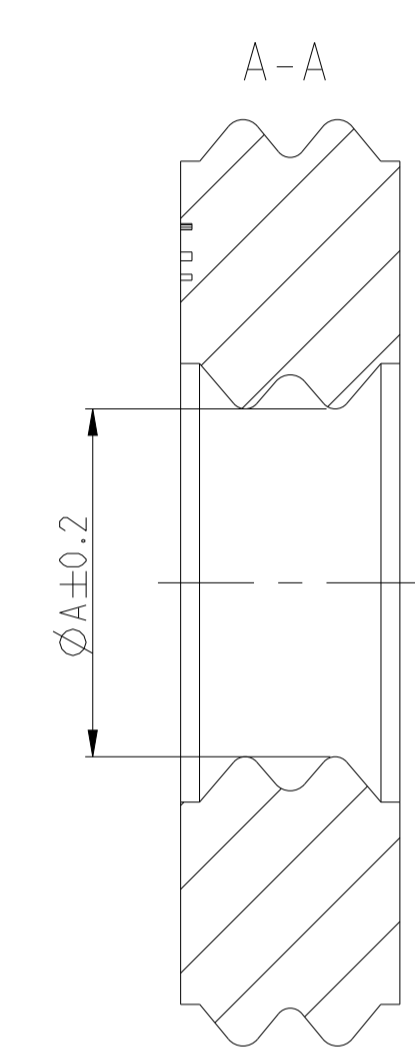
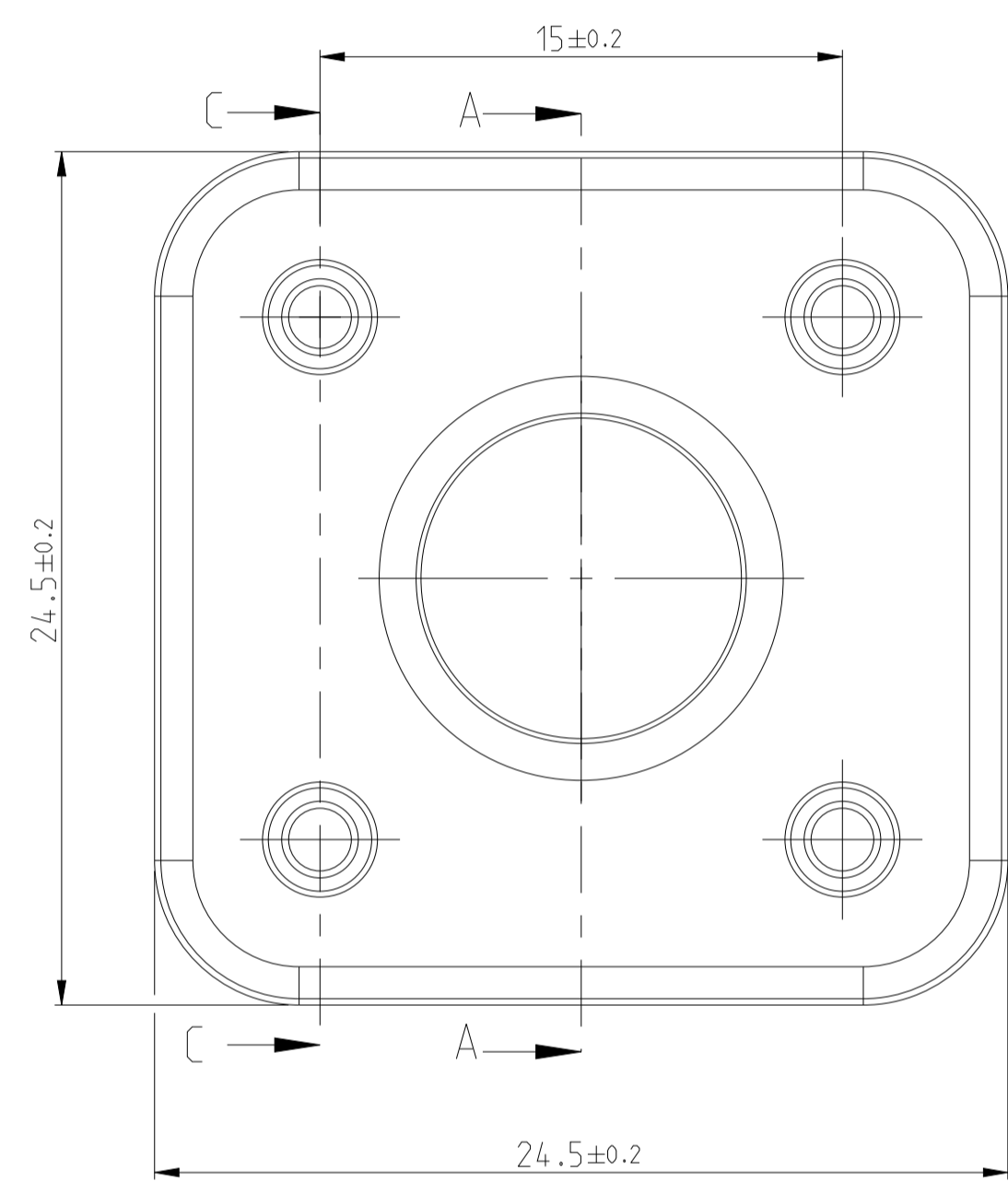
SIZE: A | CAGE CODE: 00779 | DRAWING NO: 2141264 | RESTRICTED TO: -

MATERIAL: SEE TABLE | FINISH: SEE TABLE | WEIGHT: SEE TABLE | SCALE: 5:1 | SHEET: 1 OF 2 | REV: 01

REVISIONS		DATE	OWN	APVD
P	LTN	DESCRIPTION		
-	SEE SHEET 1			



2:1



TE ORDER NO.	REV	DESCRIPTION	DIMENSION A	FOR WIRE ISOLATION DIAMETER [mm]	MATERIAL	WEIGHT [g]	COLOUR
9-2141264-4	A	SINGLE WIRE SEAL, AMP MCP6.3/4.8K Kabeldichtung einzeln, AMP MCP6.3/4.8K	11.5	12.2 - 12.8	SILICON	3	YELLOW
<del>9-2141264-3</del>	<del>A</del>		<del>10</del>	<del>10.7 - 11.3</del>			NATURAL
9-2141264-2	A		8.6	9.3 - 9.9			GREEN
9-2141264-1	A		9.2	9.9 - 10.5			WHITE

- 1 ONLY THE ENGLISH LANGUAGE IS AUTHORITATIVE  
Massgebend ist der englischen Text
- 2 PACKAGING: BULK PACKAGING IN AIRTIGHT PE-PACKET  
Verpackung: Schuettgut in PE-Beutel luftdicht verpackt
- 3 SUPPLIER-MARK  
Lieferanten Kennzeichnung

NOTE Bem.	FEATURE Merkmal	TE-PART-NO. Teil-Nr.
4	ENTIRE ASSEMBLY SEE Gesamtzusammenbau siehe	114-94100-1
5	PRODUCT-SPEC. Produkt-Spez.	108-94264
6	APPLICATION SPEC. Verarbeitungsspez.	114-94100

TE Connectivity

THIS DRAWING IS A CONTROLLED DOCUMENT.

DATE: 28 APR 2011

APVD: U. Hoedinger

NAME: SINGLE WIRE SEAL, AMP MCP6.3/4.8K  
Kabeldichtung einzeln, AMP MCP6.3/4.8K

SIZE: A1 | CAGE CODE: 00779 | DRAWING NO: 2141264

SCALE: 5:1 | SHEET: 2 OF 2