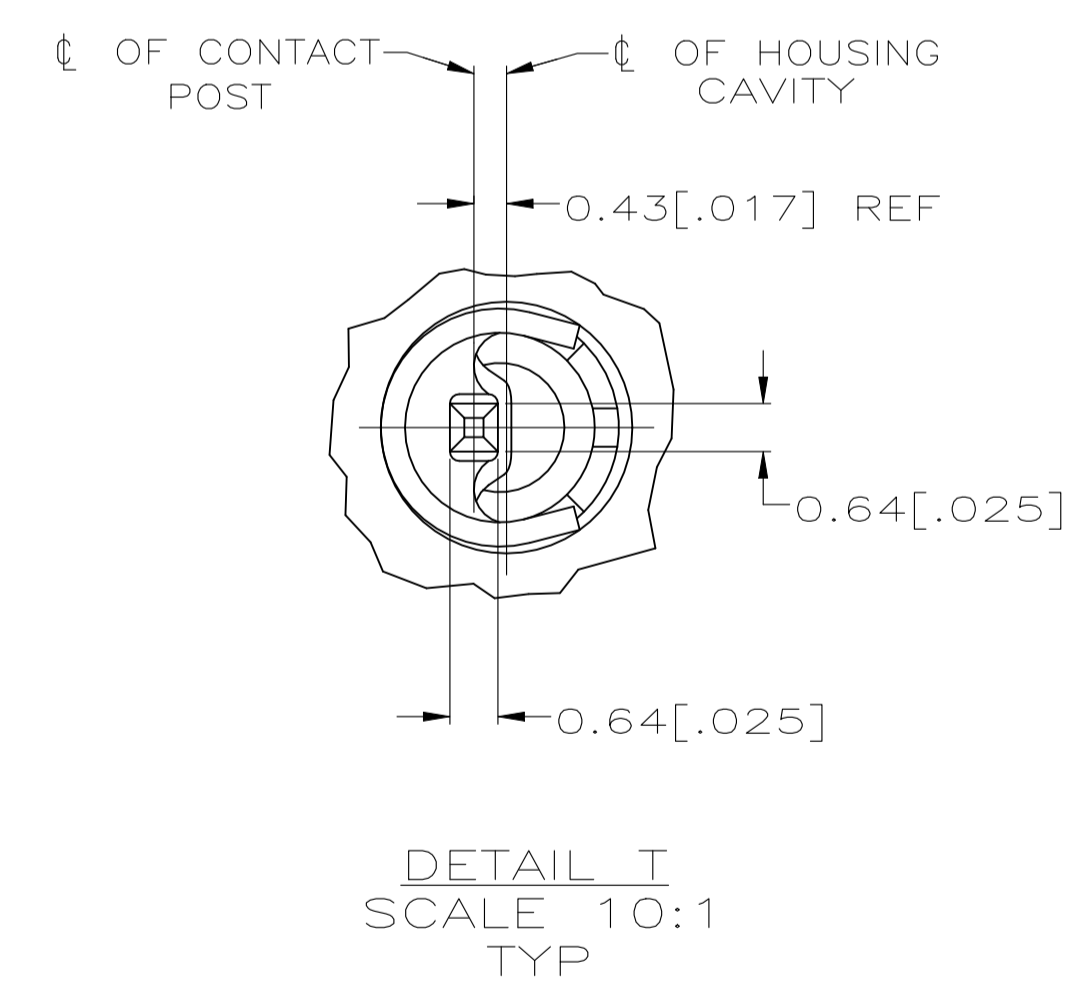
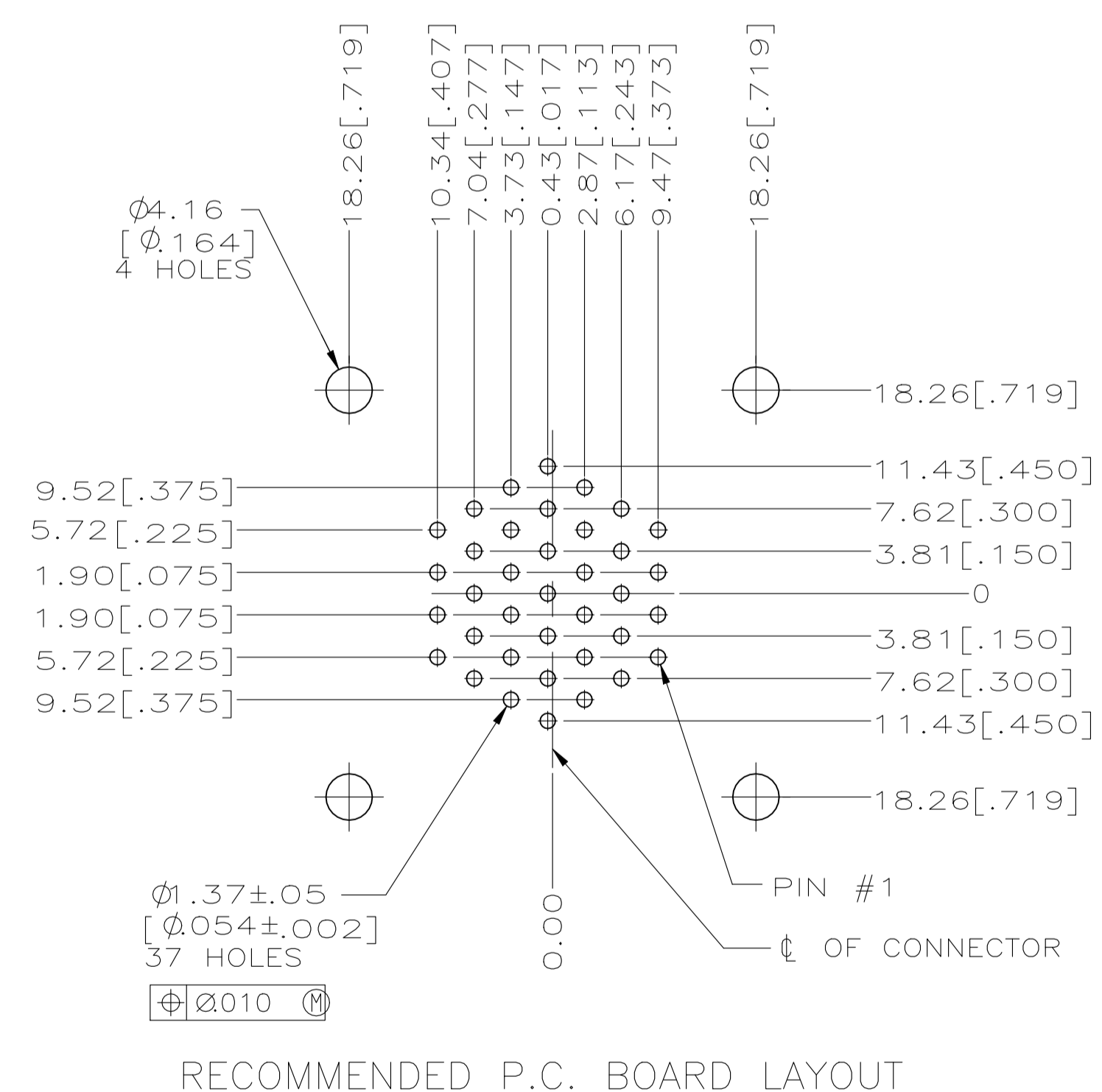
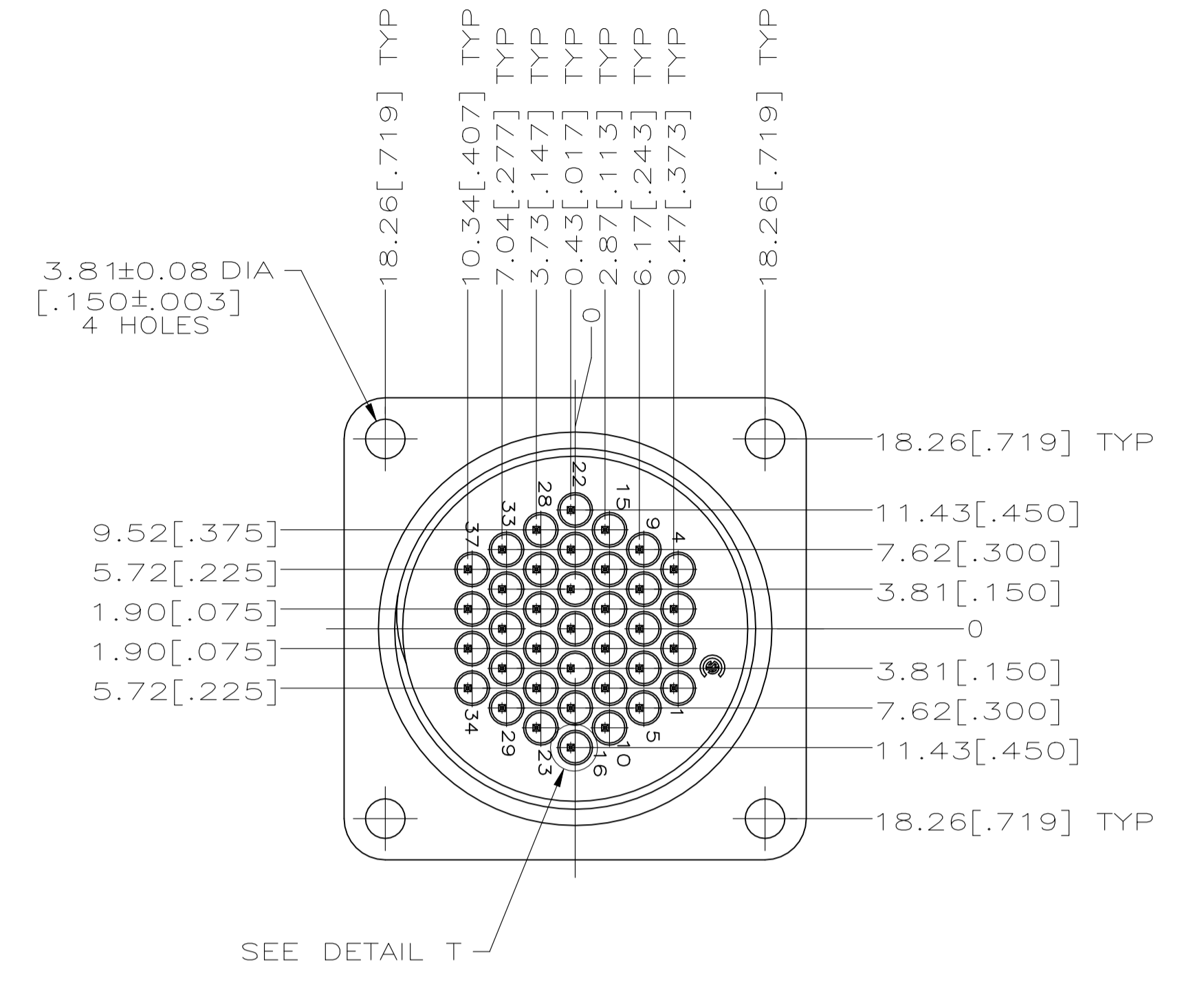
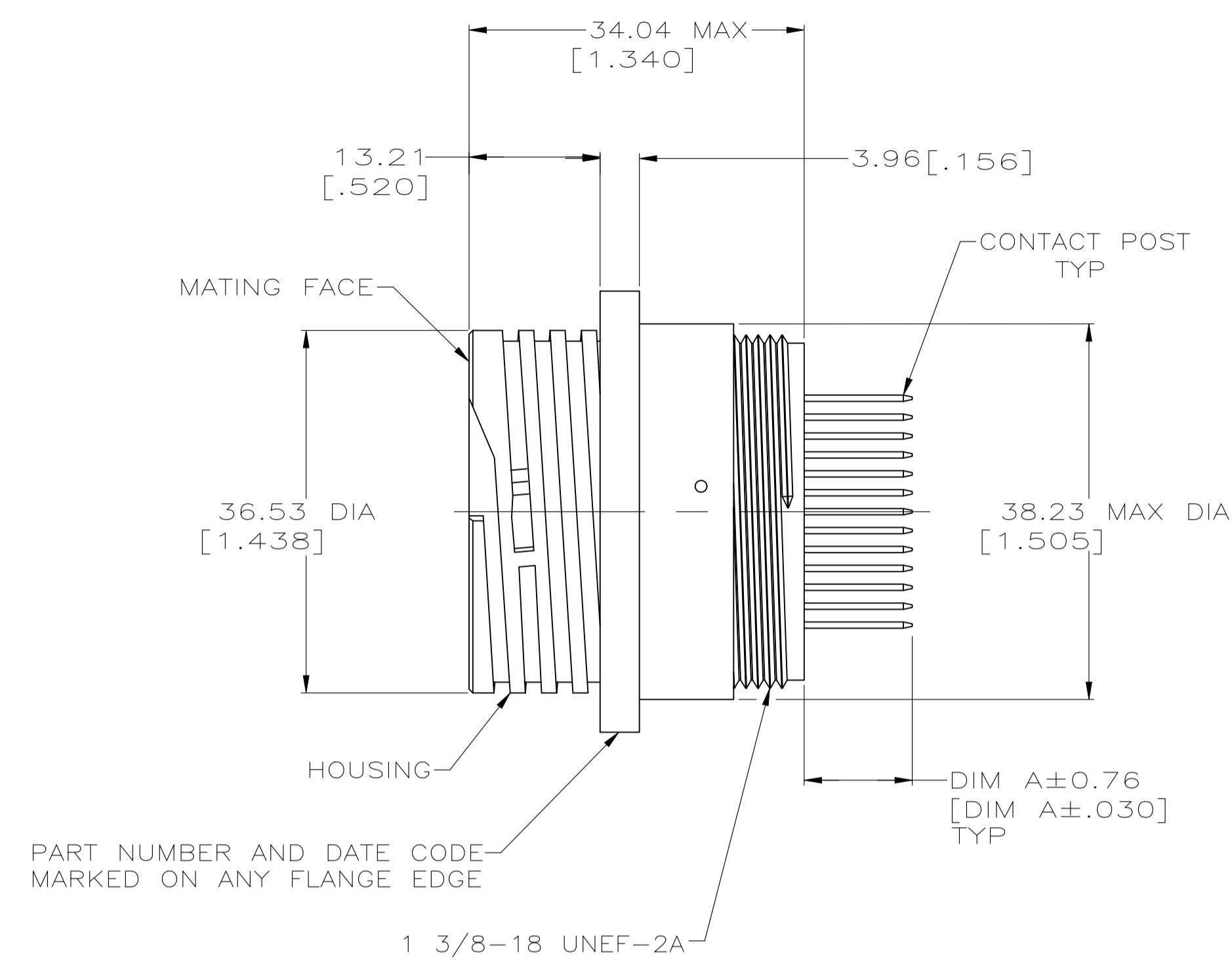
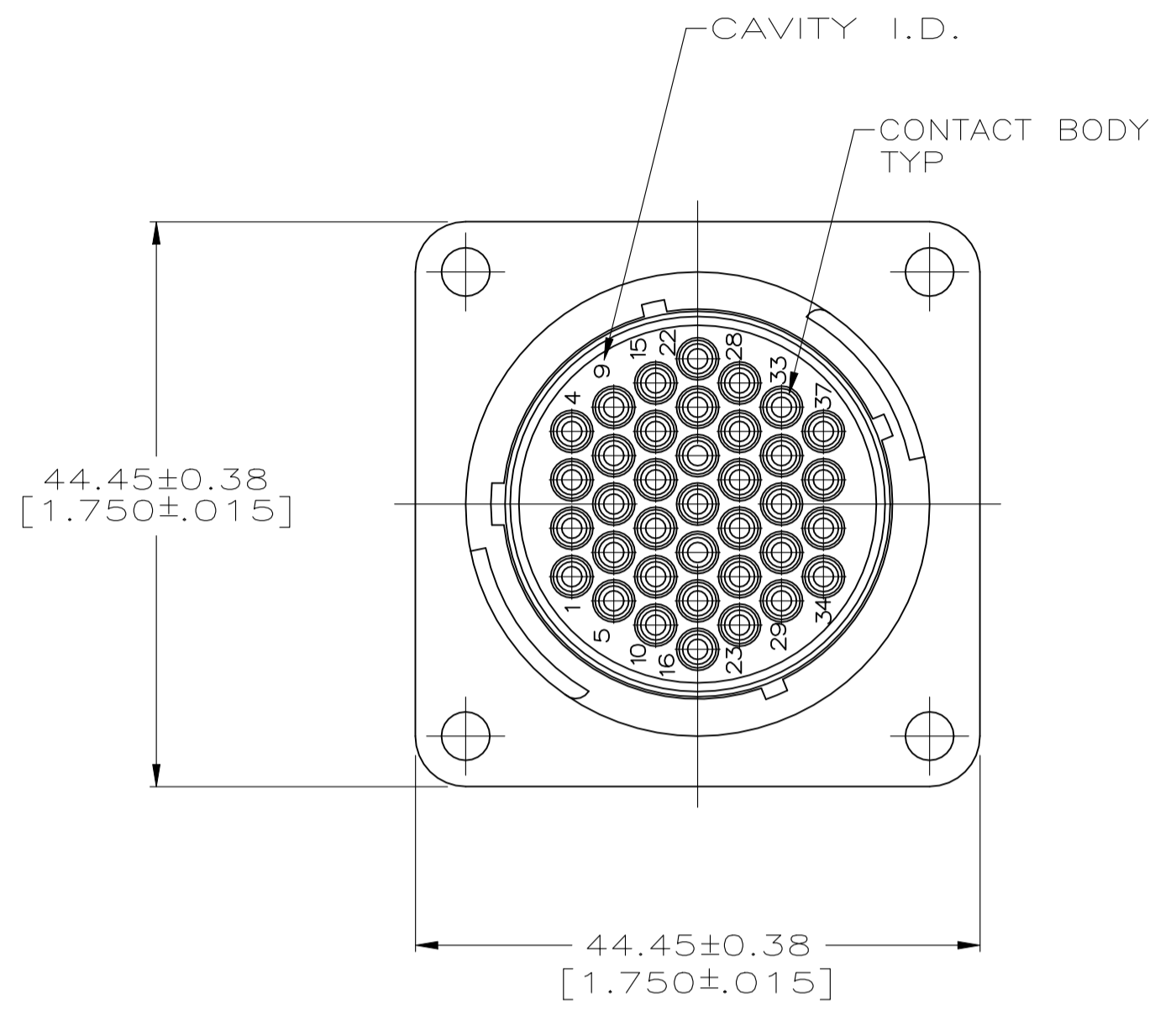


REVISIONS					
REV	DATE	DESCRIPTION	BY	CHK	APPV
G2	26AUG2022	REVISED PER ECR-22-150475	RK	MZ	



- 1 NYLON, UL 94V-0 RATED, BLACK.
- 2 STAINLESS STEEL.
- 3 BRASS.
- 4 CONTACT BODY:  $0.76 \mu\text{m}$  [.000030] MIN GOLD FOR A LENGTH OF  $5.08$  [.200] MIN FROM MATING END. GOLD FLASH ON REMAINDER, BOTH OVER  $1.27 \mu\text{m}$  [.000050] MIN NICKEL. CONTACT POST:  $2.54 \mu\text{m}$  [.000100] MIN TIN-LEAD OVER  $1.27 \mu\text{m}$  [.000050] MIN NICKEL.
- 5 RECOMMENDED PC BOARD HOLE SIZE FOR CONTACT POST =  $1.02 \pm 0.08$  [.040 ± .003] DIA.
- 6 CONTACT BODY:  $0.76 \mu\text{m}$  [.000030] MIN GOLD FOR A LENGTH OF  $5.08$  [.200] MIN FROM MATING END. GOLD FLASH ON REMAINDER, BOTH OVER  $1.27 \mu\text{m}$  [.000050] MIN NICKEL. CONTACT POST:  $2.54 \mu\text{m}$  [.000100] MIN TIN OVER  $1.27 \mu\text{m}$  [.000050] MIN NICKEL.

REV	DATE	DESCRIPTION	BY	CHK	APPV
6					213854-4
6					213854-3
4					213854-2
4					213854-1

THIS DRAWING IS A CONTROLLED DOCUMENT.

DIMENSIONS: mm [INCHES]	TOLERANCES UNLESS OTHERWISE SPECIFIED:	DIN D. HARDY 01-03-95	APVD R. STONE 01-09-95	TE Connectivity	
0 PLC ± -	1 PLC ± -	2 PLC ± -	3 PLC ± .005	4 PLC ± -	ANGLES ± -
MATERIAL: HOUSING: CONTACT SPRING: CONTACT BODY & POST:	FINISH:	WEIGHT: A1	00779	C=213854	RESTRICTED TO: -
CUSTOMER DRAWING			SCALE: 2:1	SHEET: 1 of 1	REV: G2