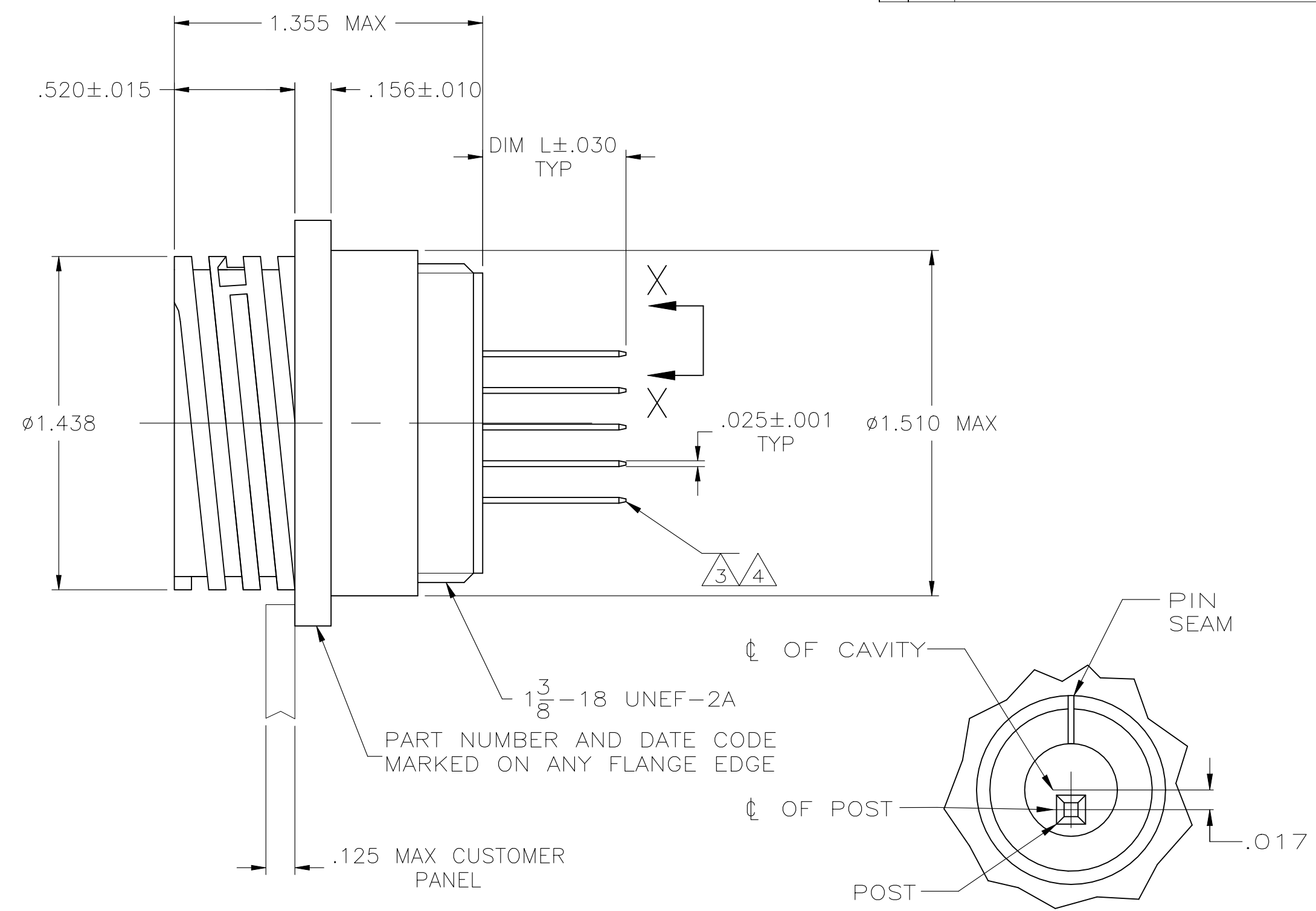
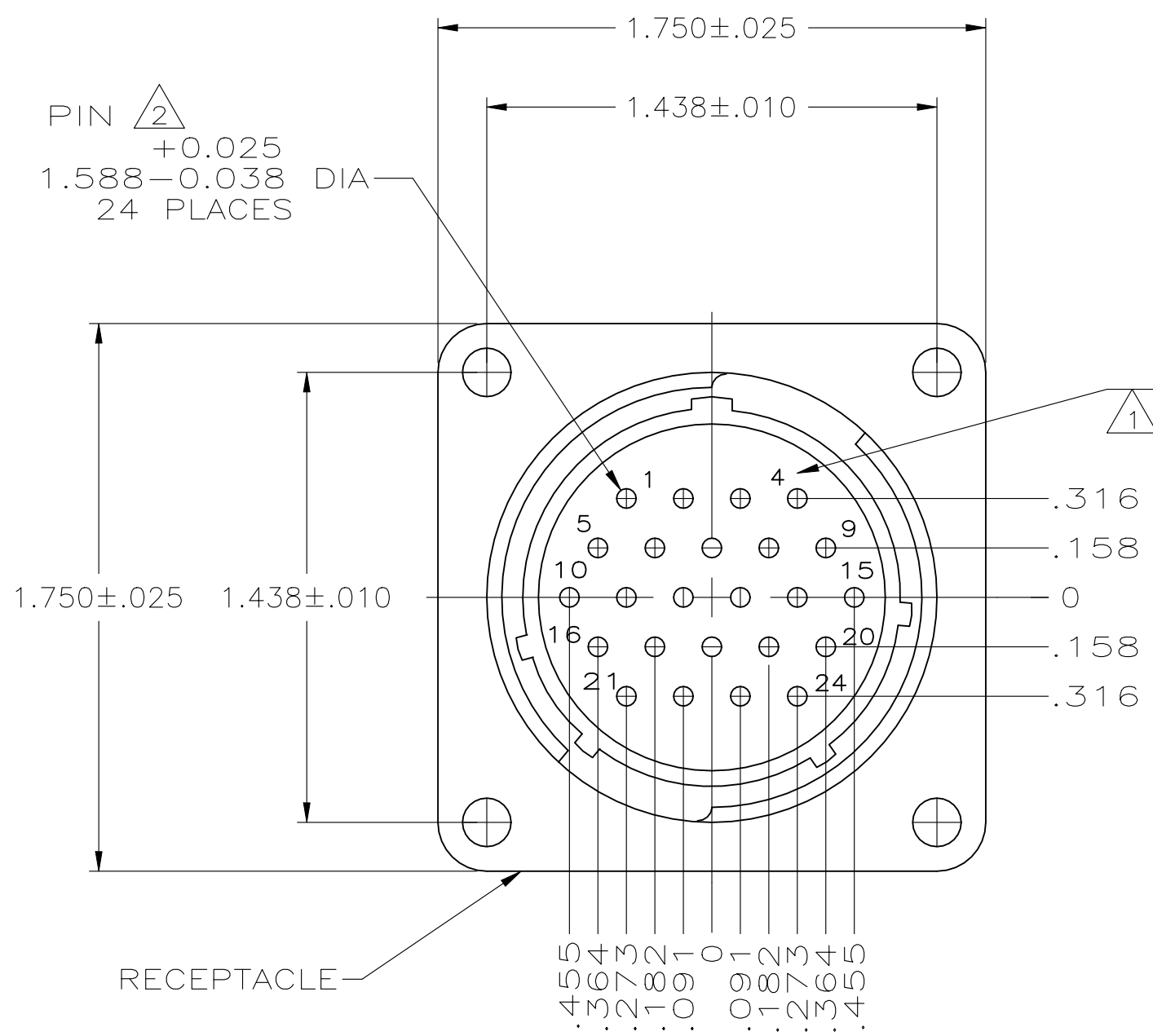
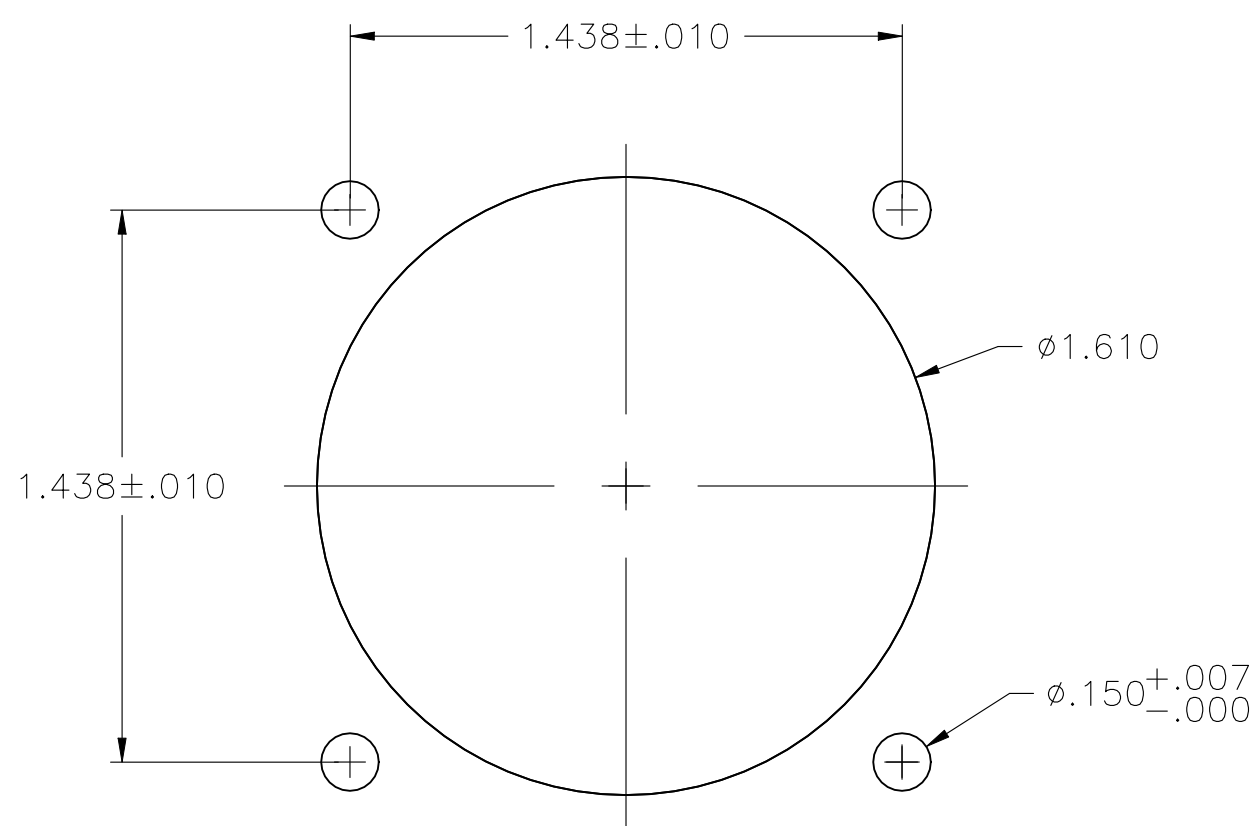


THIS DRAWING IS UNPUBLISHED. RELEASED FOR PUBLICATION  
 © COPYRIGHT - By - ALL RIGHTS RESERVED.

REVISIONS		29NOV01	RH		
P	LTR	DESCRIPTION	DATE	DWN	APVD
D2		REVISED PER ECR-22-150475	26AUG2022	RK	MZ



VIEW X-X  
TYPICAL  
SCALE 10:1



RECOMMENDED PANEL CUTOUT

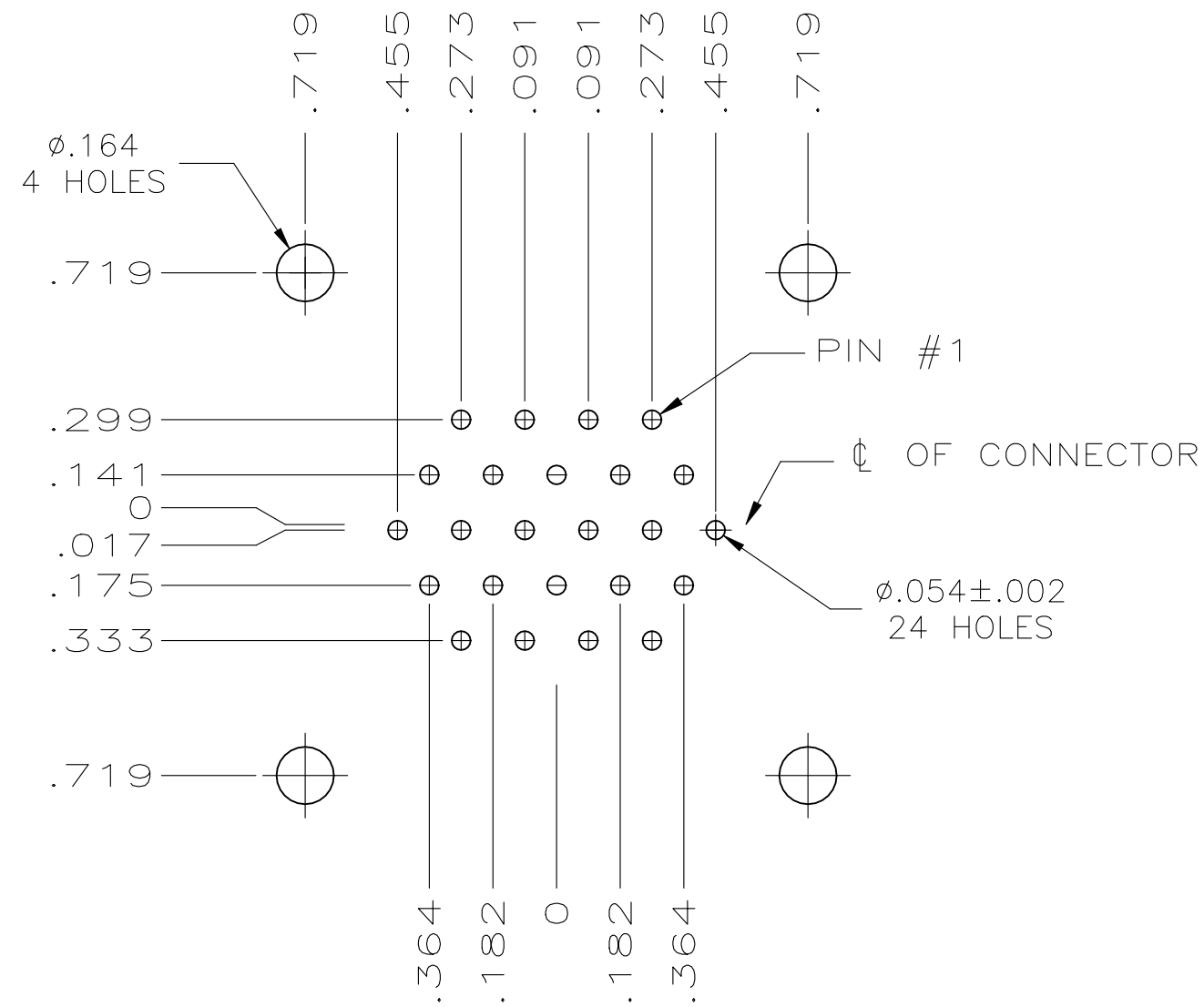
- $\triangle 1$  CAVITY IDENTIFICATION CHARACTERS ON FRONT AND REAR FACE.
- $\triangle 2$  .000030 MIN GOLD FOR A LENGTH OF .250 MIN FROM MATING END OVER .000050 MIN NICKEL.
- $\triangle 3$  .000100 MIN TIN-LEAD OVER .000050 MIN NICKEL ON THIS END.
- $\triangle 4$  .000100 MIN TIN OVER .000050 MIN NICKEL ON THIS END.

	$\triangle 4$	.618	213798-3
OBSOLETE	$\triangle 3$	.244	-213798-2-
OBSOLETE	$\triangle 3$	.618	213798-1
	POST FINISH	DIM L	PART NUMBER

THIS DRAWING IS A CONTROLLED DOCUMENT.		DWN D.BROCKWAY 06-30-94	<b>STE</b> TE Connectivity	
DIMENSIONS: INCHES		CHK R.STONE 07-06-94		
TOLERANCES UNLESS OTHERWISE SPECIFIED:		APVD -	NAME	
0 PLC ± -		PRODUCT SPEC 108-10024	RECEPTACLE ASSEMBLY, 23-24, STANDARD SEX, POSTED CONTACTS, CPC	
1 PLC ± -		APPLICATION SPEC	SIZE A2	CAGE CODE 00779
2 PLC ± .005		WEIGHT -	DRAWING NO C=213798	RESTRICTED TO -
3 PLC ± -		CUSTOMER DRAWING		
4 PLC ± -		SCALE 2:1	SHEET 1 of 2	REV D2
ANGLES ± -				
FINISH -				
MATERIAL PIN: BRASS RECEPTACLE: NYLON, BLACK				

THIS DRAWING IS UNPUBLISHED. RELEASED FOR PUBLICATION  
 © COPYRIGHT - By - ALL RIGHTS RESERVED.

REVISIONS					
P	LTR	DESCRIPTION	DATE	DWN	APVD
-	-	SEE SHEET 1	-	-	-



RECOMMENDED P.C. BOARD LAYOUT

THIS DRAWING IS A CONTROLLED DOCUMENT.		DWN D.BROCKWAY 06-30-94			
DIMENSIONS: INCHES		CHK R.STONE 07-06-94			
		TOLERANCES UNLESS OTHERWISE SPECIFIED:		NAME	
0 PLC ± -		1 PLC ± -		RECEPTACLE ASSEMBLY,	
2 PLC ± .005		3 PLC ± -		23-24, STANDARD SEX,	
4 PLC ± -		FINISH		POSTED CONTACTS, CPC	
MATERIAL PIN: BRASS RECEPTACLE: NYLON, BLACK		WEIGHT		RESTRICTED TO	
CUSTOMER DRAWING		SCALE 2:1		SHEET 2 OF 2	
APVD -		PRODUCT SPEC 108-10024		DRAWING NO A2 00779 C-213798	
APPLICATION SPEC		SIZE		REV D2	