

THIS DRAWING IS UNPUBLISHED.

RELEASED FOR PUBLICATION

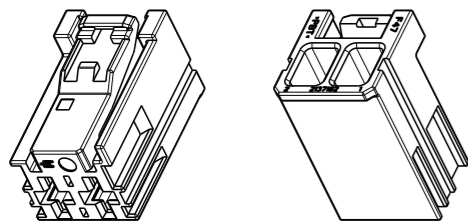
20

LOC ES DIST 00

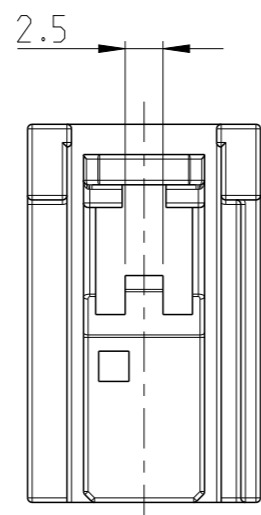
REVISIONS

© COPYRIGHT 2012 BY TE CONNECTIVITY ALL RIGHTS RESERVED.

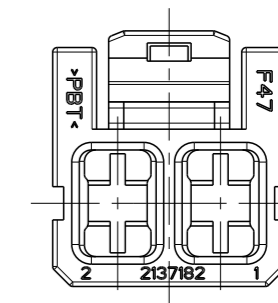
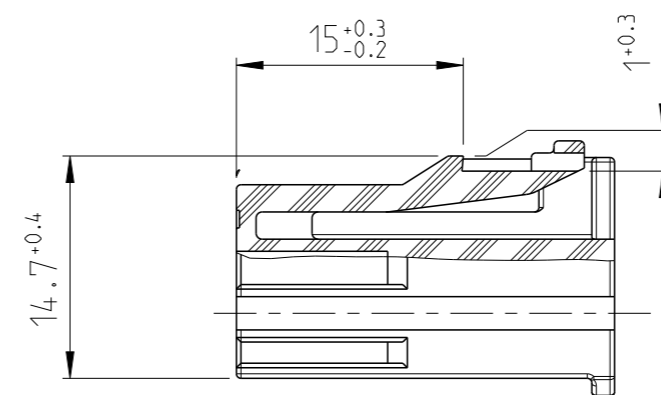
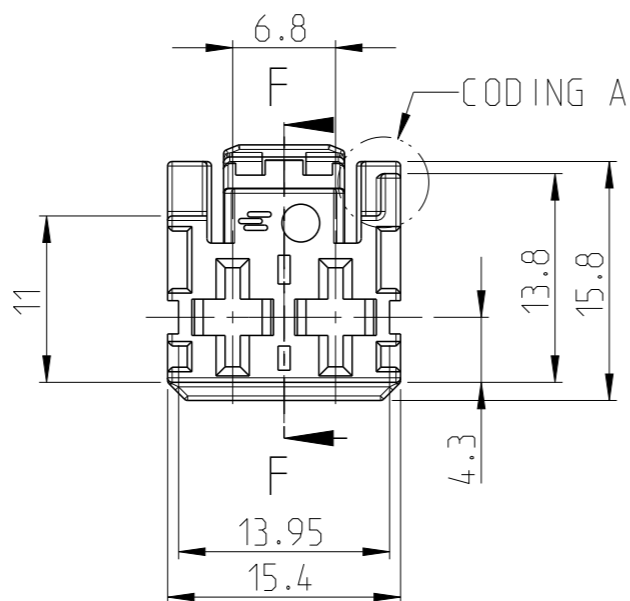
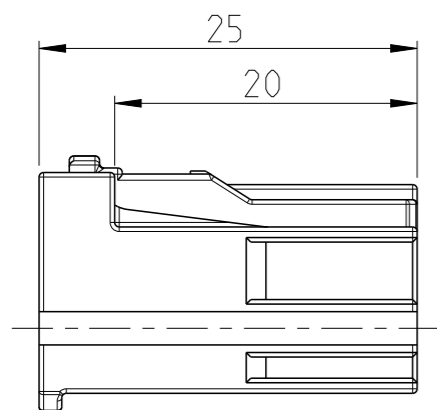
P	LTR	DESCRIPTION	DATE	DWN	APVD
	A	RELEASED	11FEB11	Y.Y	I.Y
	A1	ECR-12-003300	07MAR12	E.C	Y.Y
	A2	ECR-19-016423	24OCT2019	J.L	I.Y
	A3	ECR-22-144106	17MAR2022	D.M	J.Z



1:1

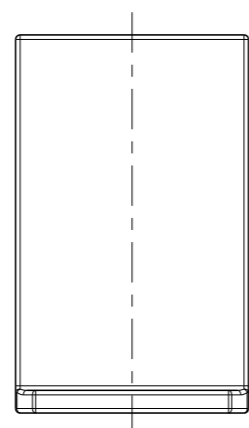


CODING A NATURAL COLOR 2137182-1	CODING B BLUE COLOR 2137182-2	CODING C YELLOW COLOR 2137182-3	CODING D GRAY COLOR 2137182-4



- F-F NOTE:
1. WARPAGE 0.3 MAX;  
SHRINKAGE 0.3 MAX;
  2. SUITABLE TERMINALS TYPE: MCP 6.3  
SUITABLE TERMINALS PART NO REFER TO DRAWING 1241438  
EXAMPLE:1241404,2333550 ETC.
  3. INTERFACE DRAWING:114-160303

...-1 AS SHOWN



THIS DRAWING IS A CONTROLLED DOCUMENT.		DWN Y.YANG 17JAN2011	TE Connectivity	
		CHK I.YIN 11FEB2011		
DIMENSIONS: mm		APVD I.YIN 11FEB2011	NAME 2Pos MCP6.3 PLUG HSG	
TOLERANCES UNLESS OTHERWISE SPECIFIED:		PRODUCT SPEC	-	
0 PLC ±0.3		APPLICATION SPEC	-	
1 PLC ±0.2		WEIGHT	-	
2 PLC ±0.2		CUSTOMER DRAWING	SIZE A3	RESTRICTED TO
3 PLC ±0.2			CAGE CODE 00779	
4 PLC ±0.2			DRAWING NO C-2137182	
ANGLES ±2°			SCALE 2:1	SHEET 1 OF 1
FINISH -			REV A3	