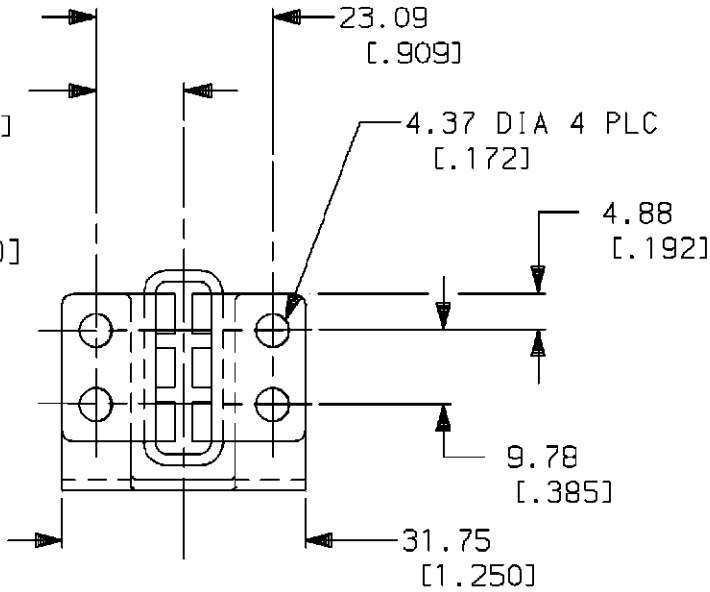
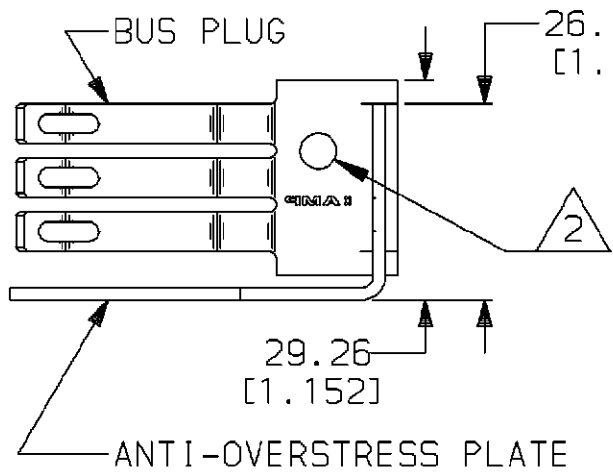
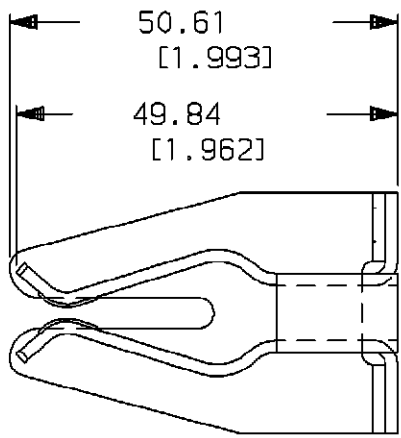




| | | | | | | |
|-----------|-----------|---|-----|----------------------|-------|----------|
| LOC BG | DIST 5 | P | F | REVISIONS | | |
| | | | LTR | DESCRIPTION | DATE | APPROVED |
| | | | C | REV PER LC00-0023-96 | MAR96 | DGA |

1. ALL DIMENSIONS REFERENCE ONLY
 2. PART MAY HAVE HOLE IN THIS LOCATON, BOTH SIDES.



THIS DRAWING IS UNPUBLISHED. © COPYRIGHT 19 BY AMP OF CANADA LTD. ALL INTERNATIONAL RIGHTS RESERVED.



| |
|----------|
| 213647-1 |
| PART NO |

| | |
|---|-------------------------------|
| DO NOT SCALE PRINT. UNLESS SPECIFIED DIMENSIONS IN mm [IN] TOLERANCES ON: | DR 12-12-91 J WARD |
| | CHK 12-12-91 J LANDIS |
| MATERIAL BUS PLUG: COPPER ALLOY ANTI-OVERSTRESS PLATE: S.S. | APPD 12-12-91 C WEIDLER |
| | APPD 12-12-91 C WEIDLER |
| FINISH BUS PLUG: Ag/Ni ANTI-OVERSTRESS PLATE: PASSIVATED | PRODUCT SPEC 108-1101 |
| | APPLICATION SPEC 114-02111 |
| | WEIGHT - |

| | | |
|---|--------------------|----------------------|
| AMP of CANADA Ltd. Markham, Ont. | | |
| NAME AMP PDS 125F3 BUS PLUG W/GUIDE (SHORT) | | |
| SIZE A | CAGE CODE 09482 | DRAWING NO 213647 |
| SCALE NTS | SHEET 1 OF 1 | |