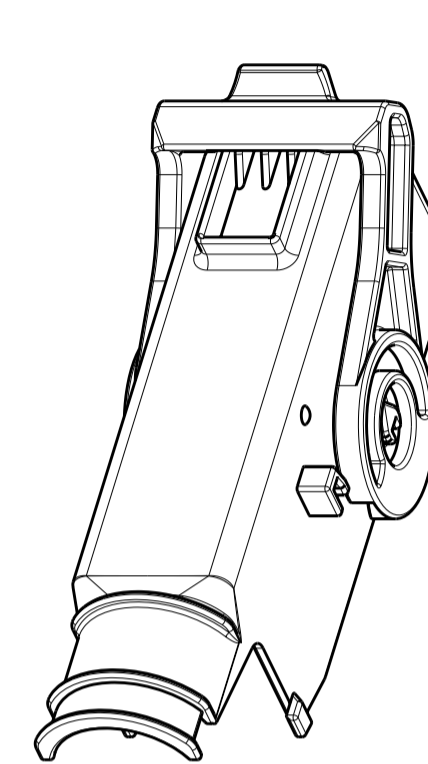
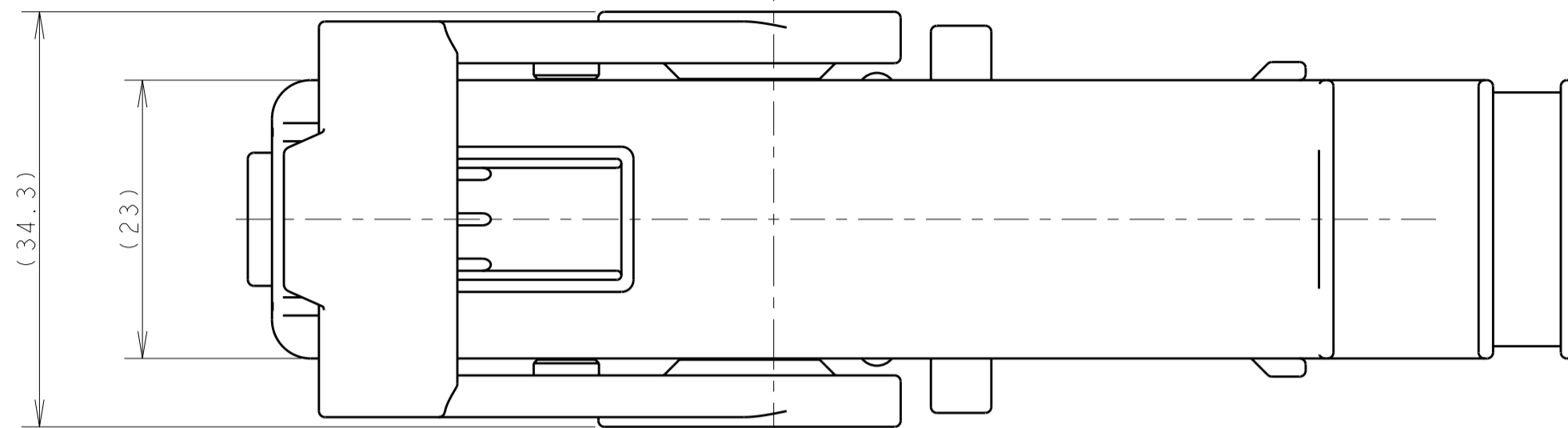
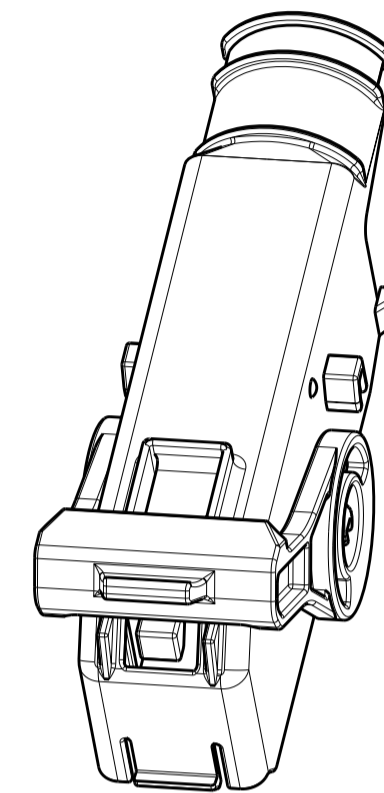


THIS DRAWING IS UNPUBLISHED. RELEASED FOR PUBLICATION 20  
 © COPYRIGHT 20 BY Tyco Electronics Japan G.K. ALL RIGHTS RESERVED.

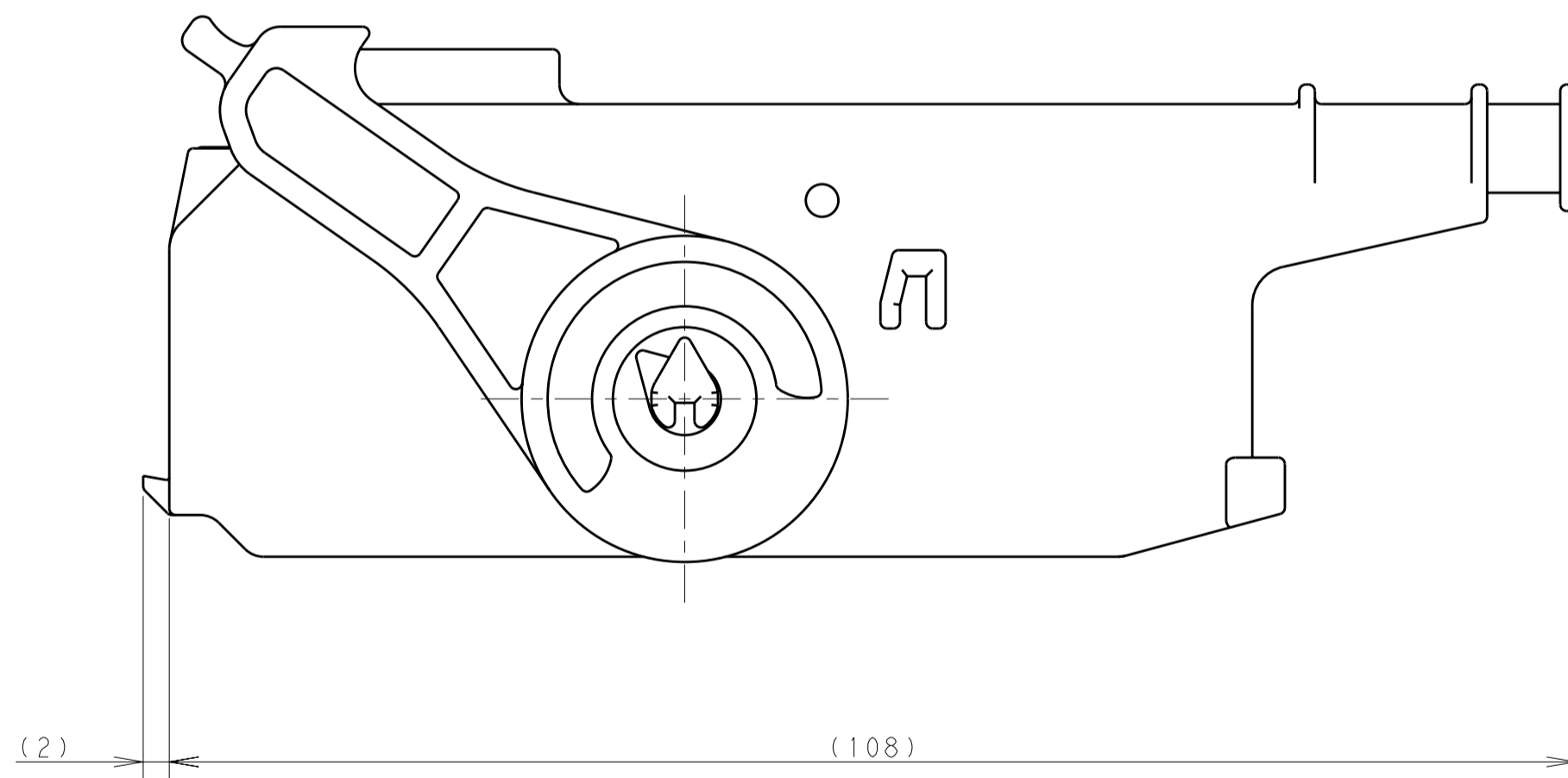
LOC	DIST	REVISIONS				
P	LTR	DESCRIPTION	DATE	DWN	APVD	
J	-	A	RELEASED	13JAN2012	S.S Y.F	



SCALE 1:1



SCALE 1:1



- 1. LEVER MUST BE LOKED
- 2. USED ON TYCO ELECTRONICS PART NUMBER : 2134869

- 1. レバーは、確実に係止されていること
- 2. 弊社型番 2134869 に使用する

QTY 数量	FINISH 仕上	MATERIAL 材料	PART NAME 部品名称	ITEM NO
1	GRAY	PBT GF30%	LEVER	2
1	BLACK	PBT+ASA GF20%	COVER	1
-1				
PRODUCT NUMBER 製品番号		COMPONENT PART / 構成部品		

THIS DRAWING IS A CONTROLLED DOCUMENT.		DWN S. SAKAGUCHI 12JAN2012	<b>STE</b> TE Connectivity	
DIMENSIONS: mm		CHK Y. NOGUCHI 13JAN2012		
TOLERANCES UNLESS OTHERWISE SPECIFIED: ±0.3		APVD Y. FUJIWARA 13JAN2012	NAME COVER ASSEMBLY 30POSITION 025/250 CONNECTOR	
0-PLC ± 1-PLC ± 2-PLC ± 3-PLC ± 4-PLC ±		PRODUCT SPEC 108-78837	SIZE	RESTRICTED TO
ANGLES ±1°00'		APPLICATION SPEC	CAGE CODE A200779	DRAWING NO C-2134874
FINISH		WEIGHT 28.4	SCALE 2:1	SHEET 1 OF 1
MATERIAL SEE TABLE		CUSTOMER DRAWING		REV A