

4

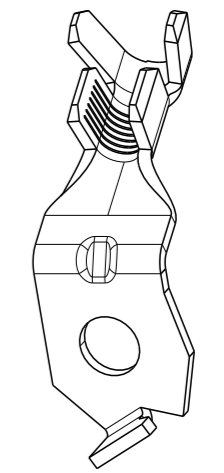
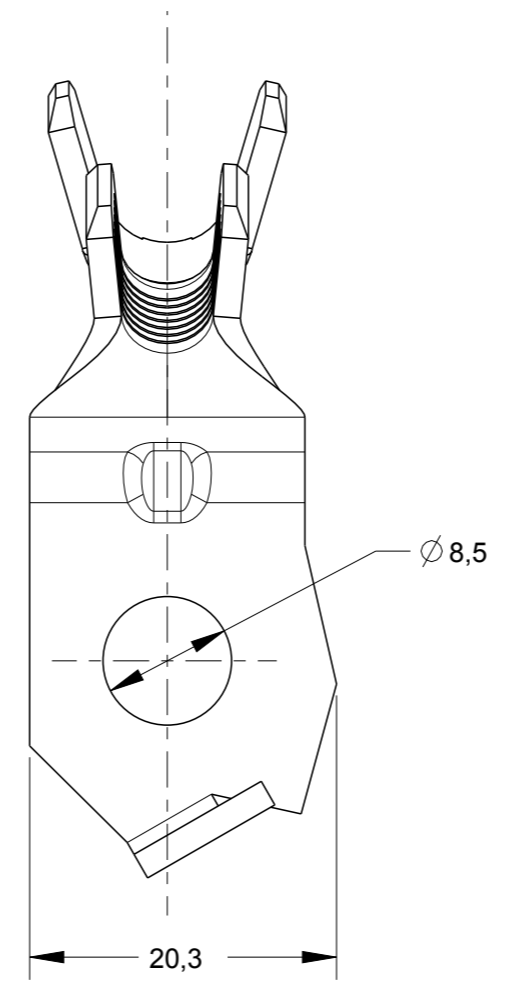
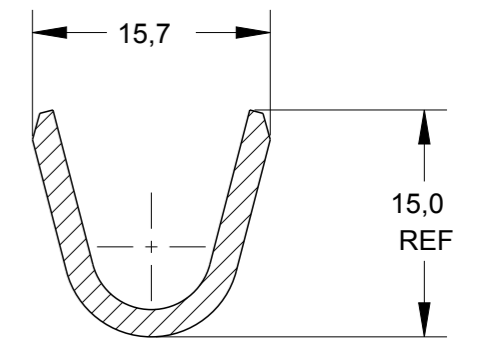
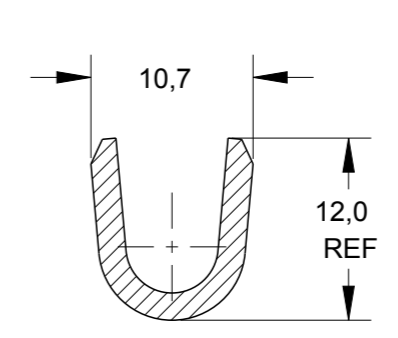
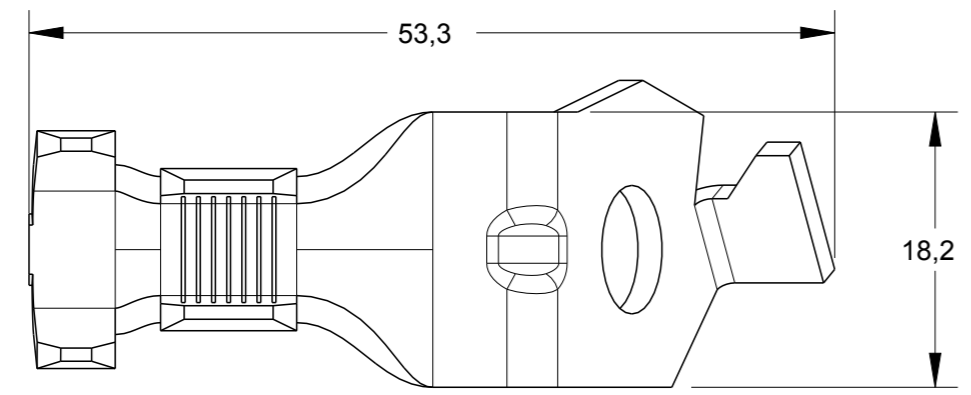
3

2

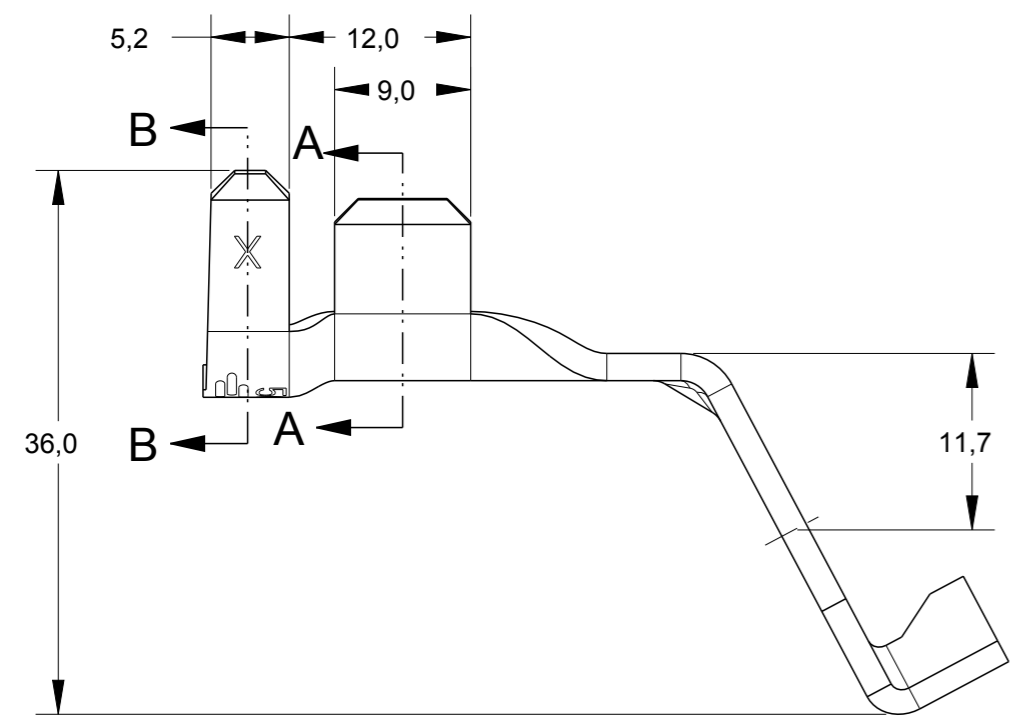
1

THIS DRAWING IS UNPUBLISHED. RELEASED FOR PUBLICATION 20  
 © COPYRIGHT 20 ALL RIGHTS RESERVED.


LOC	DIST	REVISIONS				
P	LTR	DESCRIPTION	DATE	DWN	APVD	
-	-	A	RELEASED TO PRODUCTION ECO-12-018266	31OCT2012	FC	MG



SCALE 1:1



ESTANHADO / TIN PLATED	LATÃO / BRASS	2133548-1
<b>FINISH</b>	<b>MATERIAL</b>	<b>PART NUMBER</b>

THIS DRAWING IS A CONTROLLED DOCUMENT.		DWN 23MAY2012 PETERSON PULGROSSI	 TE Connectivity	NAME		
DIMENSIONS: mm		CHK 23MAY2012 J.R.GOLDSCHMIDT		<b>TERMINAL RING TONGUE M8, 118°</b>		
TOLERANCES UNLESS OTHERWISE SPECIFIED:		APVD 23MAY2012 M.GISOLDI		SIZE	CAGE CODE	DRAWING NO
0 PLC ±- 1 PLC ±0,3 2 PLC ±- 3 PLC ±- 4 PLC ±- ANGLES ±2°		PRODUCT SPEC		A3	00779	C-2133548
MATERIAL		FINISH	WEIGHT	RESTRICTED TO		
SEE TABLE		SEE TABLE	16,7g	-		
CUSTOMER DRAWING			SCALE 2:1	SHEET 1 OF 1	REV A	



10+10	6,6± 0,2+6,6± 0,2
WIRE-RANGE (mm2)	INSULATION RANGE (Ø mm)