

THIS DRAWING IS UNPUBLISHED.

RELEASED FOR PUBLICATION

2011

© COPYRIGHT2011 BY -TE Connectivity

ALL RIGHTS RESERVED.

LOC AP DIST -

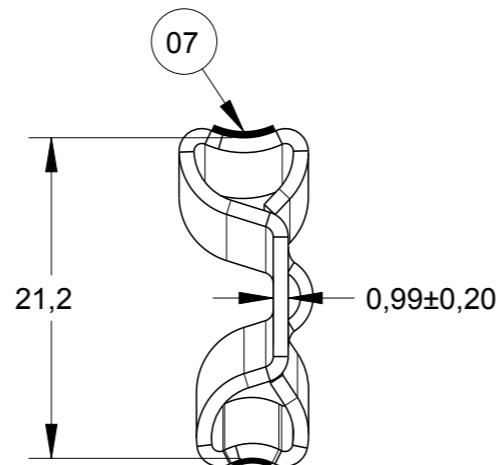
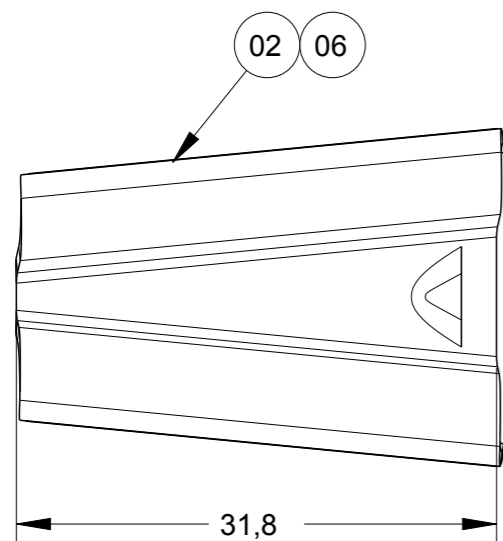
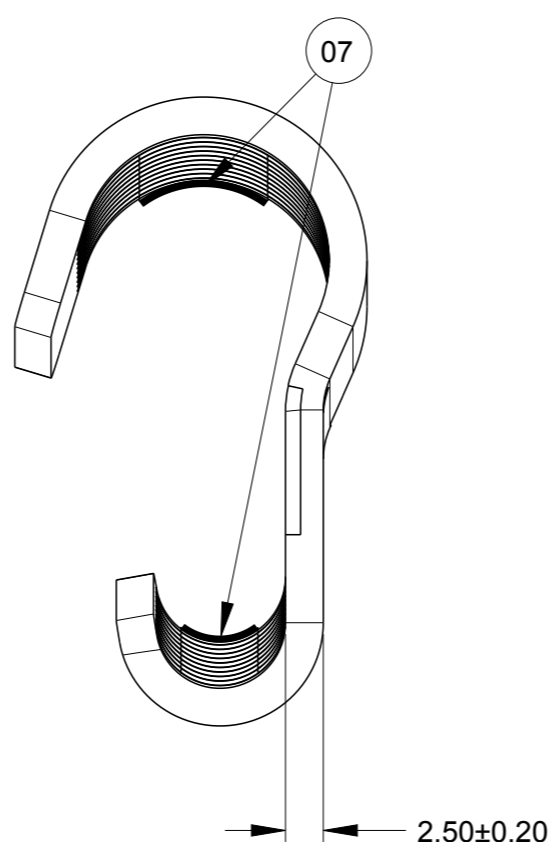
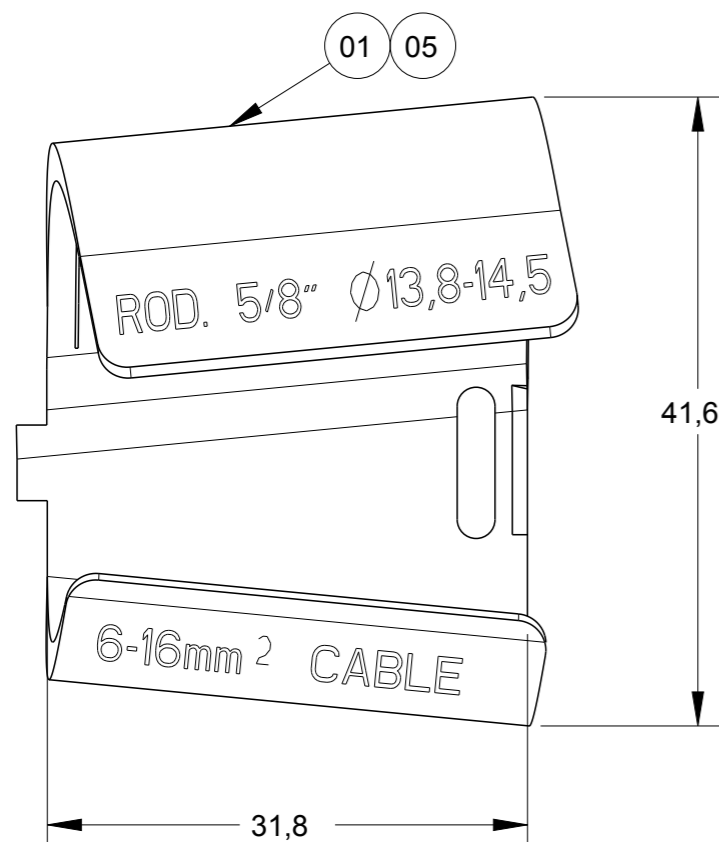
REVISIONS

P	LTR	DESCRIPTION	DATE	DWN	APVD
	A	RELEASED	22MAR2011	VF	JAL
	B	REVISED BY ECO-11-025076	14DEC2011	VF	JAL
	B1	REVISED BY ECO-12-016855	03JUL2013	VF	JAL

ProENGINEER
WILDFIRE 4.0
DO NOT REVISE
EXCEPT BY CAD

1 - PACKAGED IN PLASTIC BAG, CONTAINED USUAL COMBINATIONS ENGRAVING.

1 - EMBALADO EM SACO PLÁSTICO, CONTENDO GRAVAÇÕES DAS COMBINAÇÕES USUAIS.



REQ. PER ASS'Y	ITEM	FINISH	MATERIAL	DESCRIPTION
1	1	7	---	INHIBITOR
1	---	6	TIN ESTANHADO	COPPER ALOY LIGA DE COBRE WEDGE GROUNDING CONNECTOR
1	---	5	TIN ESTANHADO	COPPER ALOY LIGA DE COBRE "C"MEMBER GROUNDING CONNECTOR
1	---	4	---	POLYPROPYLENE POLIPROPILENO PLASTIC BAG WGC
---	1	3	---	POLYPROPYLENE POLIPROPILENO PLASTIC BAG WGC
---	1	2	UNPLATED SEM ESTANHO	COPPER ALOY LIGA DE COBRE WEDGE GROUNDING CONNECTOR
---	1	1	UNPLATED SEM ESTANHO	COPPER ALOY LIGA DE COBRE "C"MEMBER GROUNDING CONNECTOR

THIS DRAWING IS A CONTROLLED DOCUMENT.

DWN V.FUZETTI 23MAR2011
CHK L.O.M.BORELLI 23MAR2011
APVD J.A.LA SALVIA 23MAR2011

TE Connectivity

NAME WEDGE GROUNDING CONNECTOR 5/8x6-16

PRODUCT SPEC -
APPLICATION SPEC -
WEIGHT -

SIZE A3 CAGE CODE 00779 DRAWING NO C-2133283 RESTRICTED TO -

CUSTOMER DRAWING SCALE - SHEET 1 OF 1 REV B1

DIMENSIONS:	TOLERANCES UNLESS OTHERWISE SPECIFIED:
mm	
0 PLC	±-
1 PLC	±1,0
2 PLC	±-
3 PLC	±-
4 PLC	±-
ANGLES	±-
FINISH	SEE TABLE

