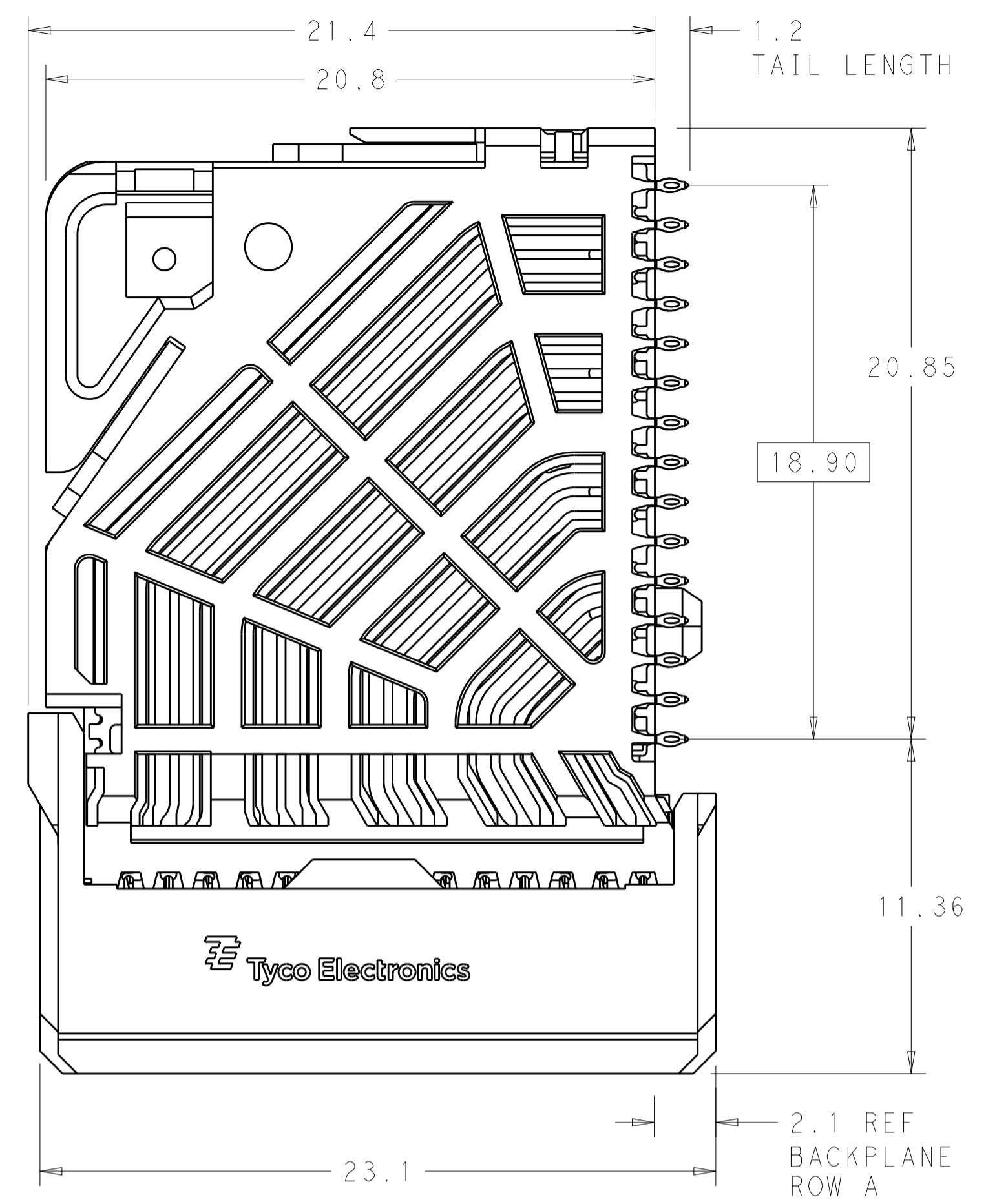
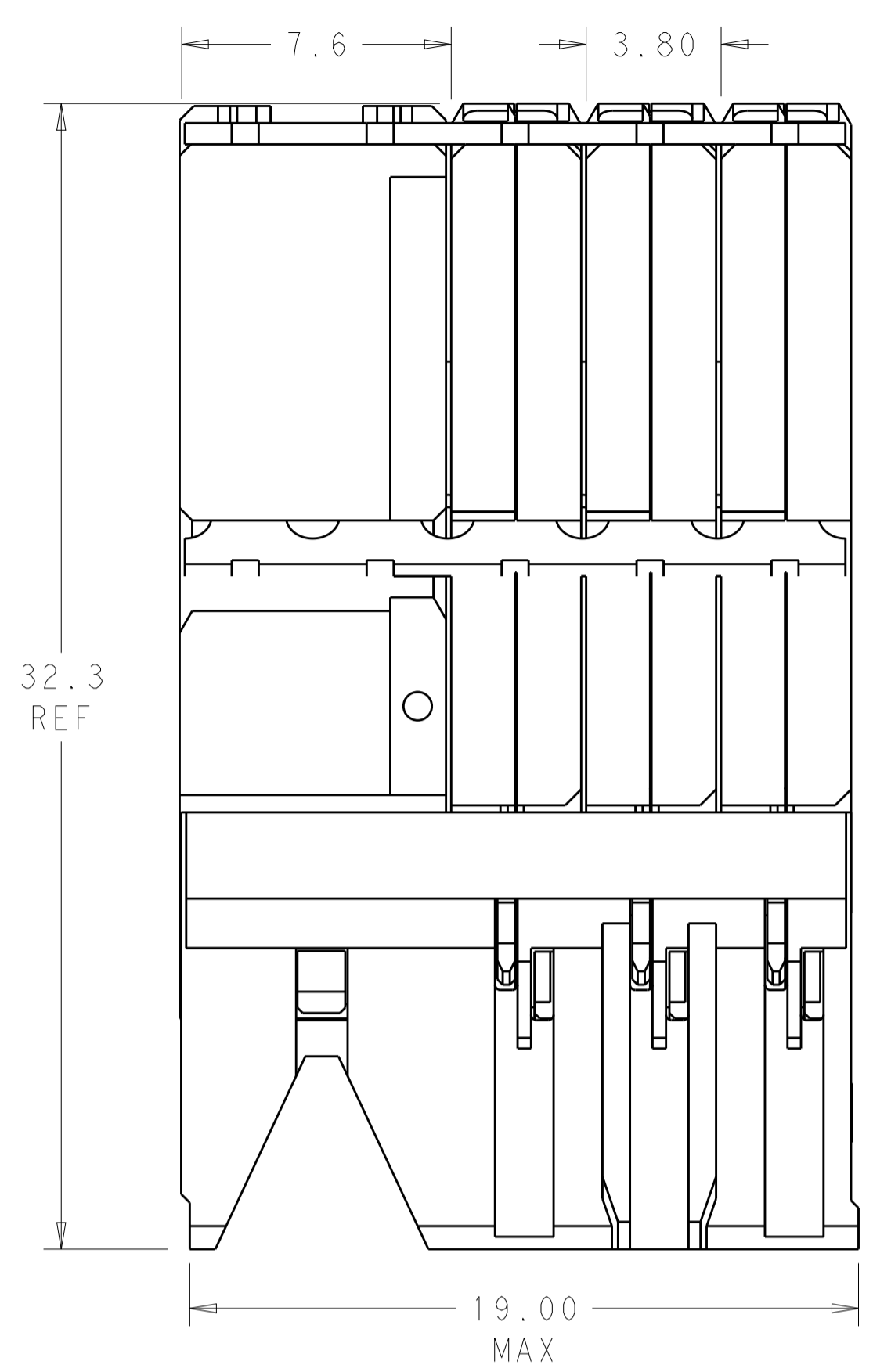
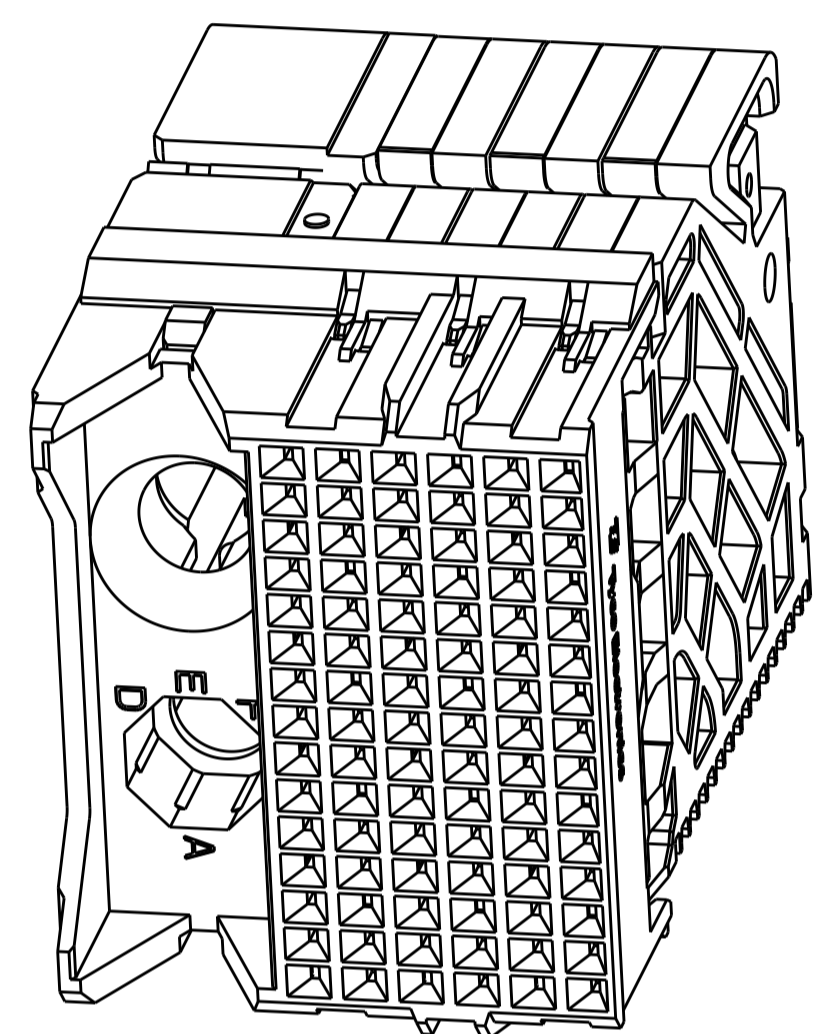


REVISIONS				
P.	LTN.	DESCRIPTION	DATE	APVD.
B		REVISED PER ECO-15-004915	12APR2015	AP DD



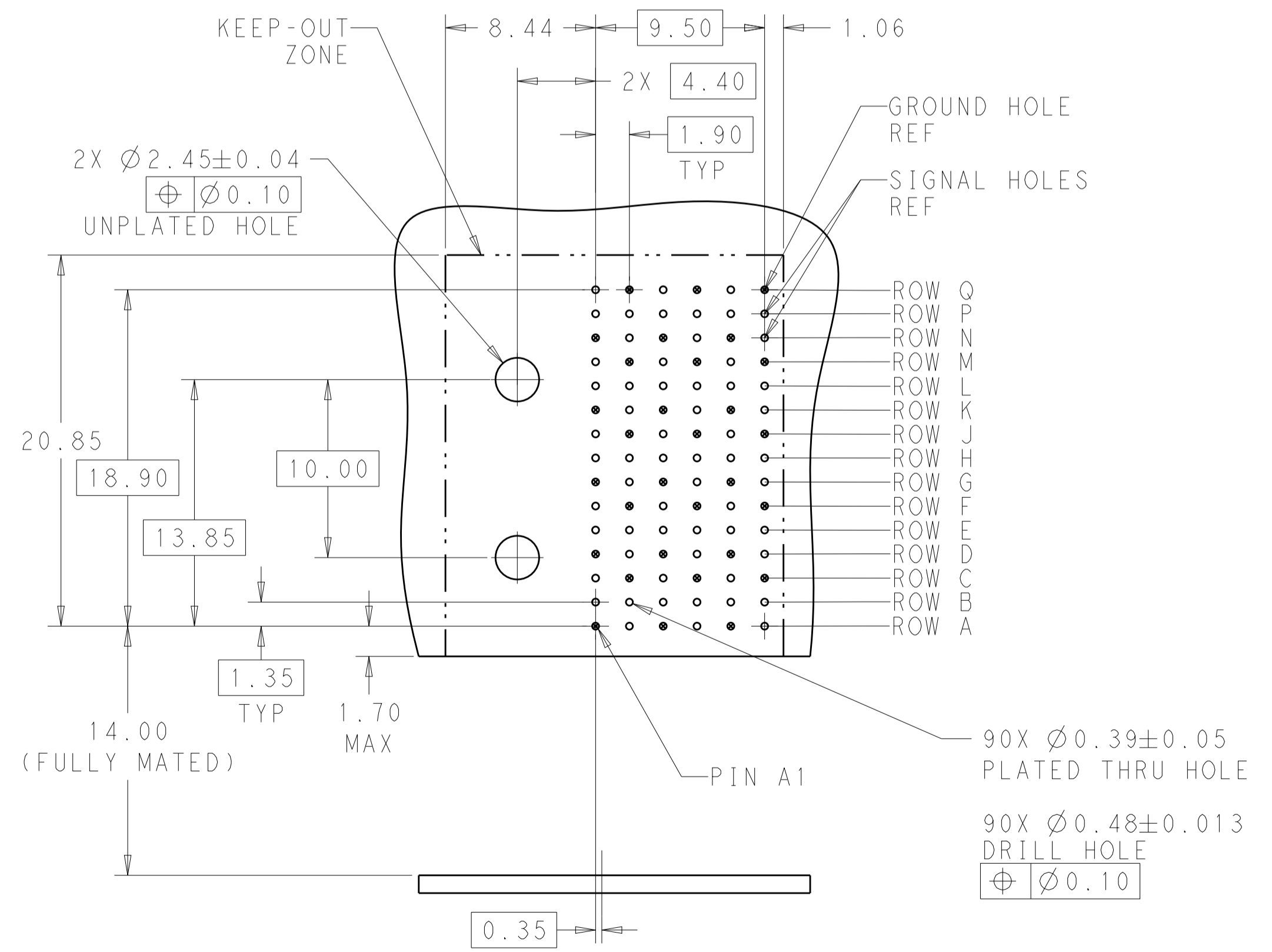
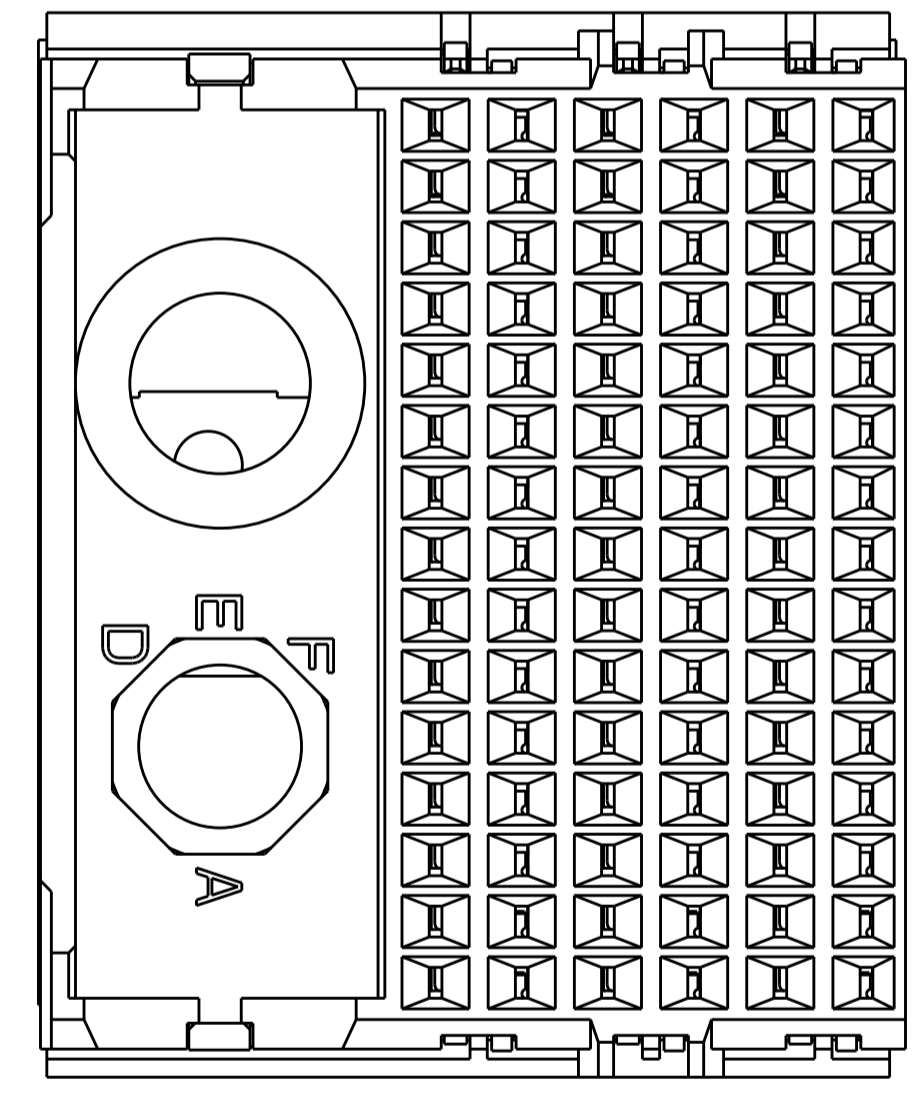
⚠ MATERIAL:
 HOUSING: LCP, GLASS FILLED, UL94V-0.
 TERMINALS: HIGH PERFORMANCE COPPER ALLOY.

⚠ FINISH:
 30μ" SELECTIVE GOLD IN CONTACT AREA. SELECTIVE TIN ON PCB TAILS, NICKEL OVERALL.



SCALE 4:1

REFER TO WWW.TE.COM FOR PRODUCT AVAILABILITY



OFFSET BETWEEN BOARD AND BACKPLANE HOLE COLUMNS

RECOMMENDED PCB LAYOUT
 MIN BOARD THICKNESS 1.0

KEY POSITION CHART	
	NONE
	A
	B
	C
	D
	E
	F
	G
	H

KEY POSITION	FINISH	PART NUMBER
H	⚠	8-2132746-1
G	⚠	7-2132746-1
F	⚠	6-2132746-1
E	⚠	5-2132746-1
D	⚠	4-2132746-1
C	⚠	3-2132746-1
B	⚠	2-2132746-1
A	⚠	1-2132746-1
NONE	⚠	2132746-1

THIS DRAWING IS A CONTROLLED DOCUMENT.

OWN: B. CARBO 06JAN2011
 CHK: D. DIXON 06JAN2011
 APVD: D. DIXON 06JAN2011

DIMENSIONS: mm

TOLERANCES UNLESS OTHERWISE SPECIFIED:

0 PLC	±
1 PLC	±0.2
2 PLC	±0.13
3 PLC	±
4 PLC	±
ANGLES	±

MATERIAL: SEE TABLE

FINISH: SEE TABLE

WEIGHT: -

Customer Drawing

NAME: IMPACT, 5 PAIR, DAUGHTERCARD 6 COLUMN, LEFT GUIDED, SIGNAL MODULE, 0.39 EYELET

SIZE: A1

CAGE CODE: 00779

DRAWING NO: 2132746

RESTRICTED TO: -

SCALE: 6:1

SHEET: 1 OF 1

REV: B