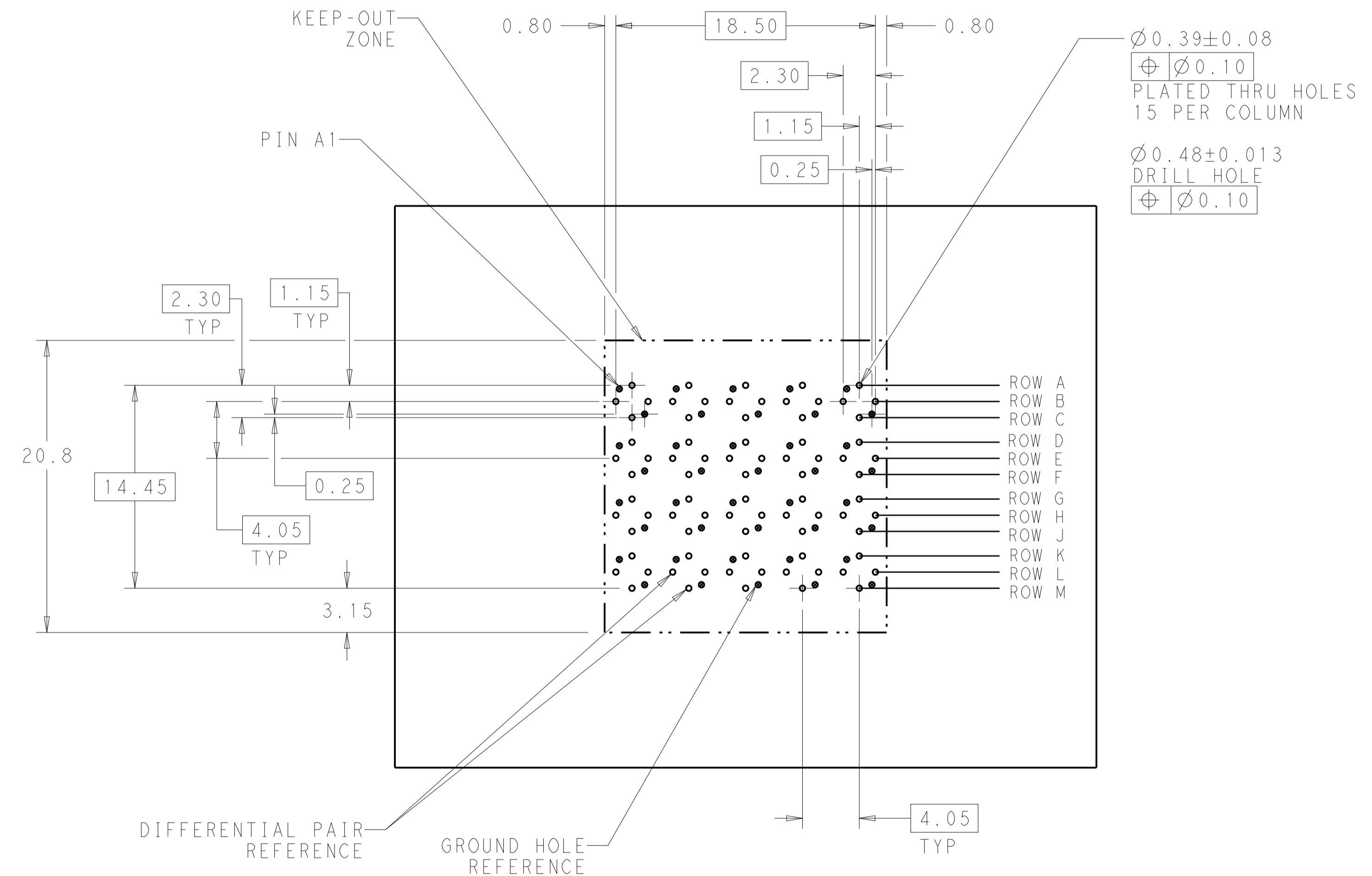
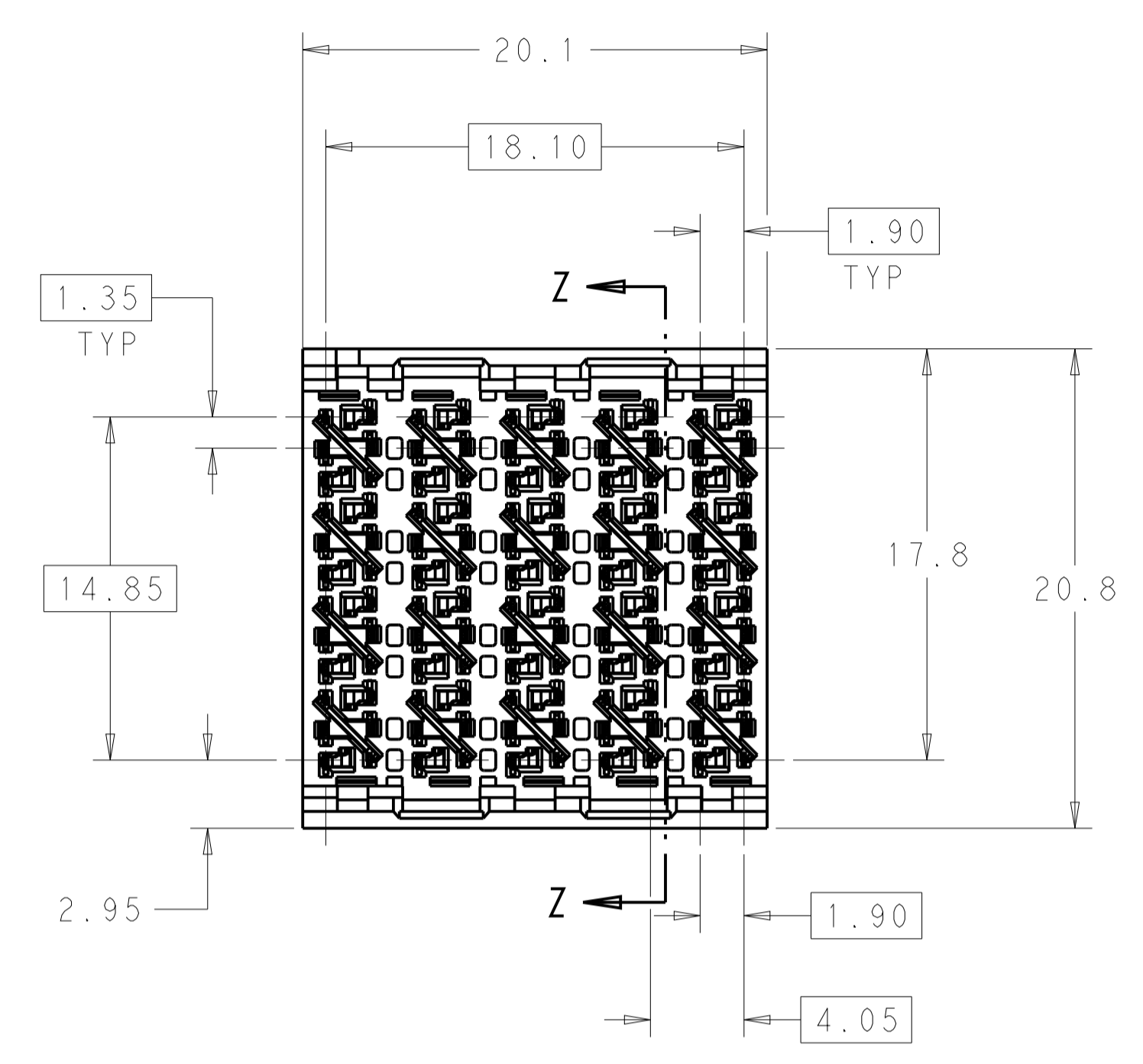
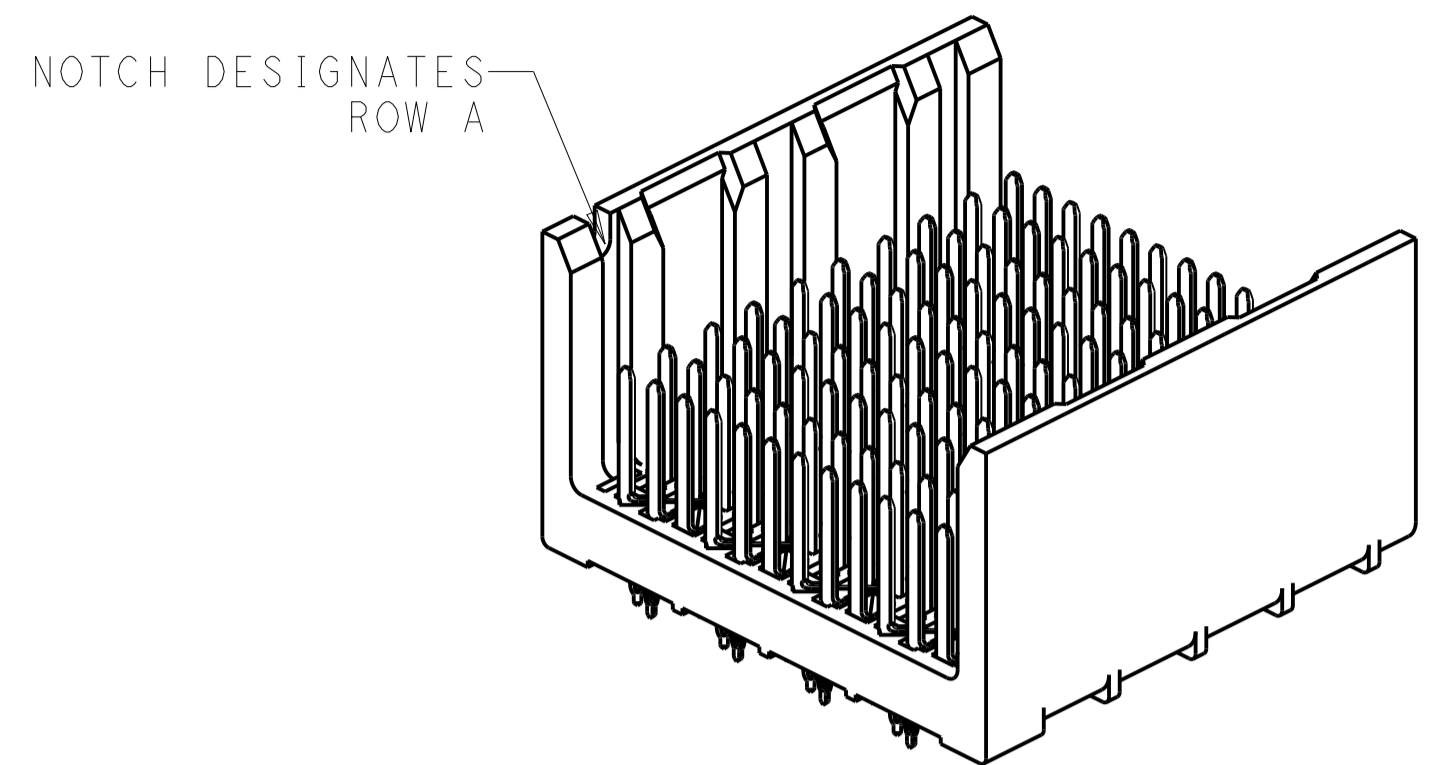


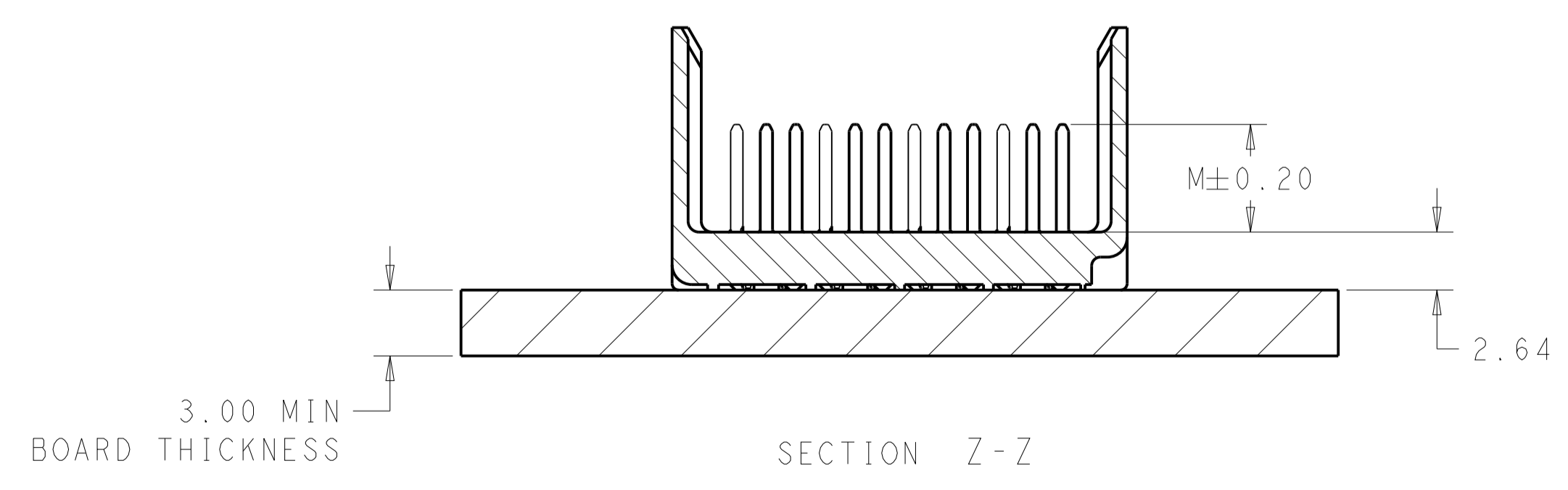
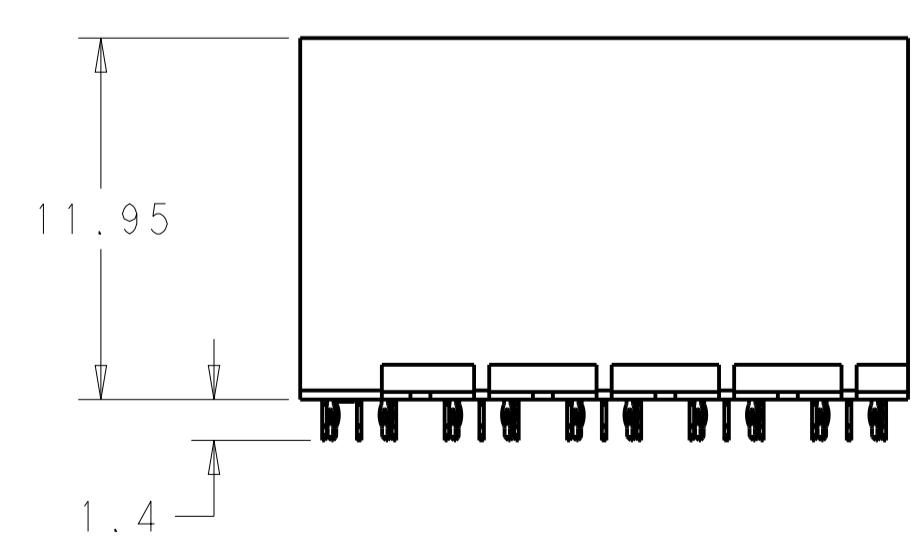
REVISIONS				
P.	LTR.	DESCRIPTION	DATE	APVD.
C		REVISED PER ECO-14-013271	08SEP2014	AP DD

**MATERIAL:**  
 HOUSING: LCP GLASS FILLED UL94V-0  
 TERMINALS: HIGH PERFORMANCE COPPER ALLOY

**FINISH:**  
 30μ" MIN GOLD IN CONTACT AREA  
 SELECTIVE TIN ON PCB TAILS.  
 NICKEL OVERALL.



LEFT GUIDED  
 BACKPLANE HOLE PATTERN  
 (CONNECTOR SIDE)  
 SCALE 4:1



2	5.5	2132629-2
2	4.9	2132629-1
FINISH	DIM M	PART NUMBER

THIS DRAWING IS A CONTROLLED DOCUMENT.

DIMENSIONS: mm

TOLERANCES UNLESS OTHERWISE SPECIFIED:

0 PLC	±
1 PLC	±0.25
2 PLC	±0.13
3 PLC	±
4 PLC	±
ANGLES	±0

MATERIAL: SEE TABLE

FINISH: SEE TABLE

APPROVED: J. K. SHOBER, J. EARY

DATE: 13SEPT2010

NAME: IMPACT, 4 PAIR, 10 COLUMN, UNGUIDED OPEN END WALL ASSEMBLY, ORTHOGONAL, 0.39 PTH

SIZE: A1

SCALE: 4:1

SHEET: 1 OF 1

REV: C