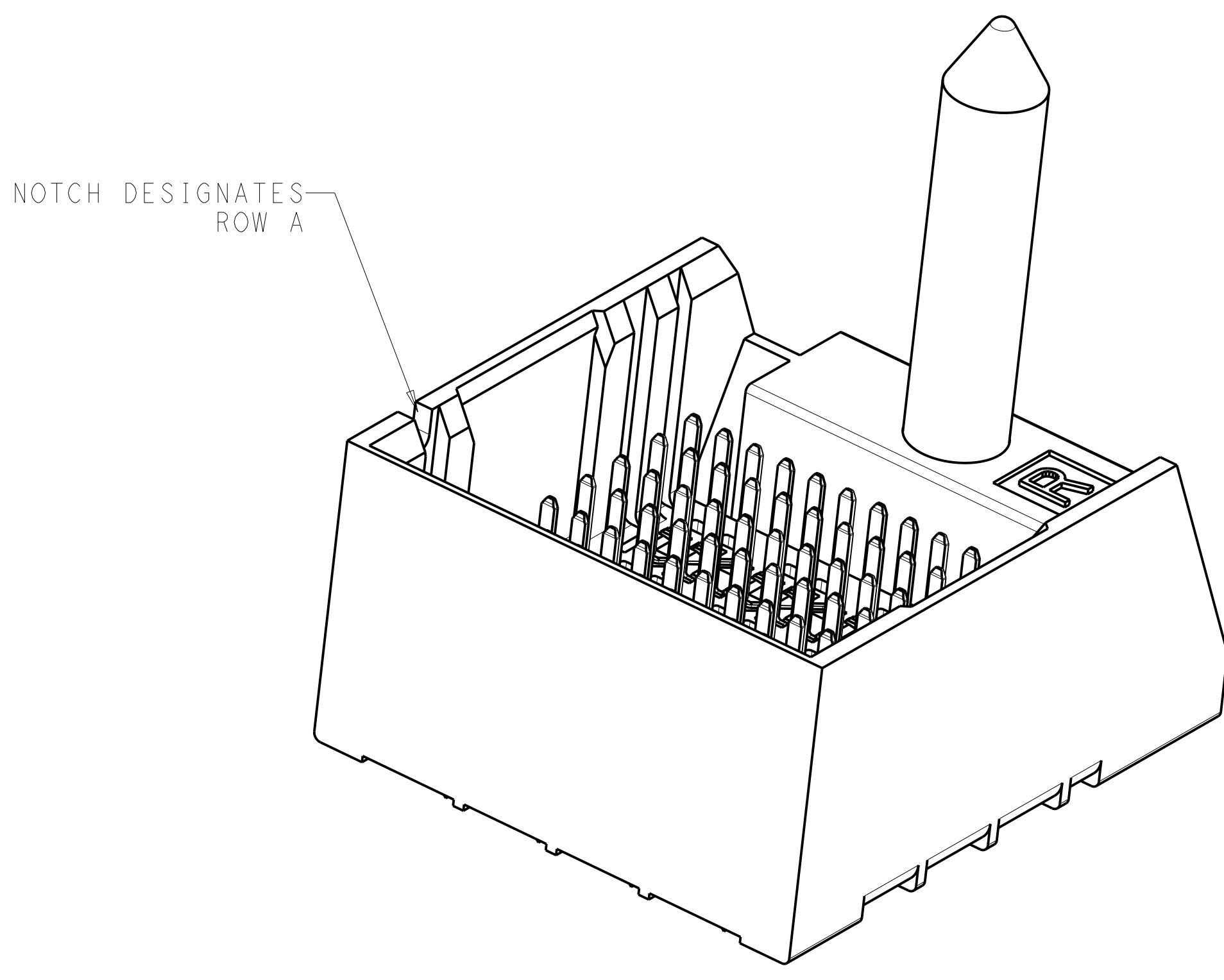
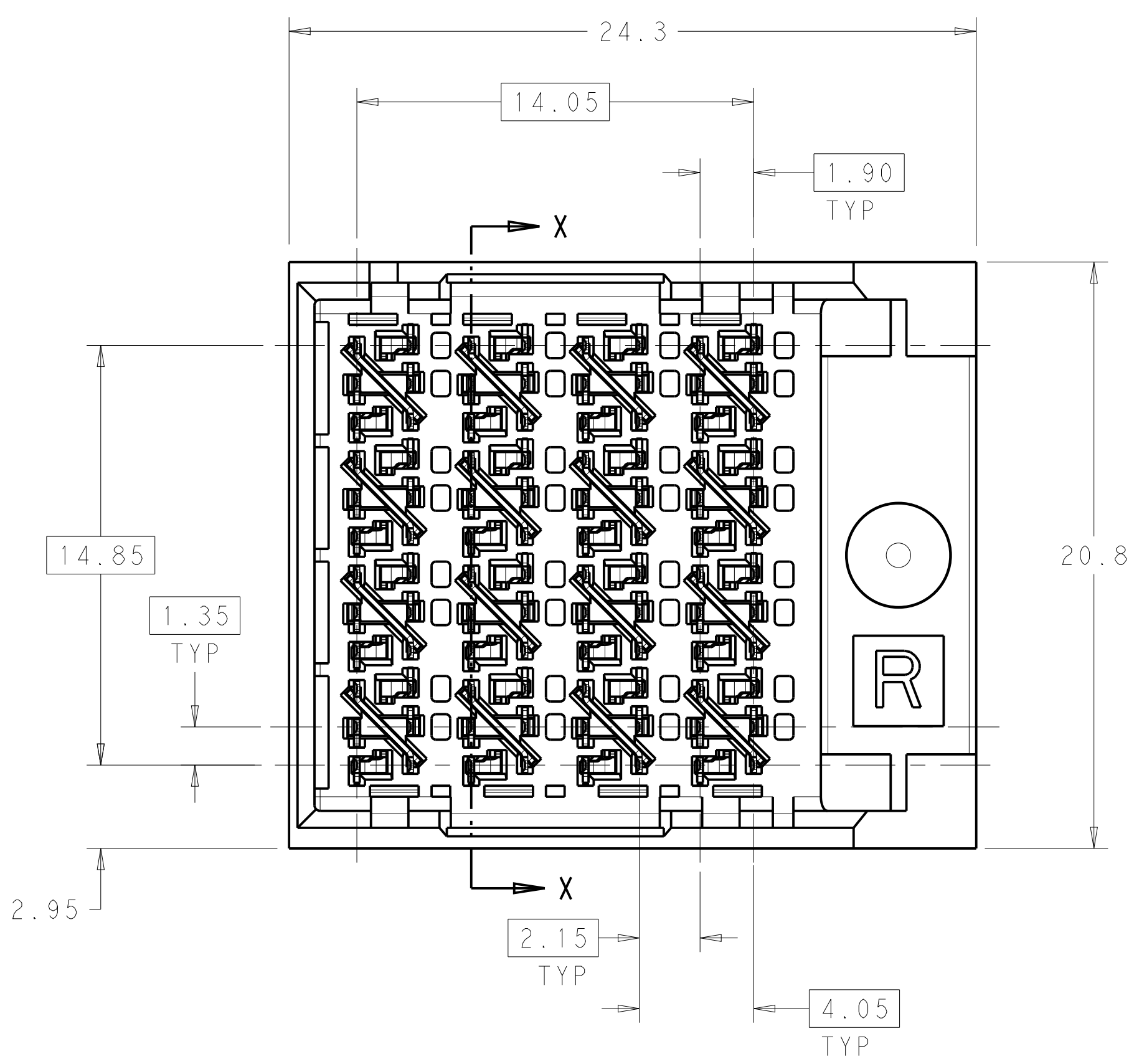
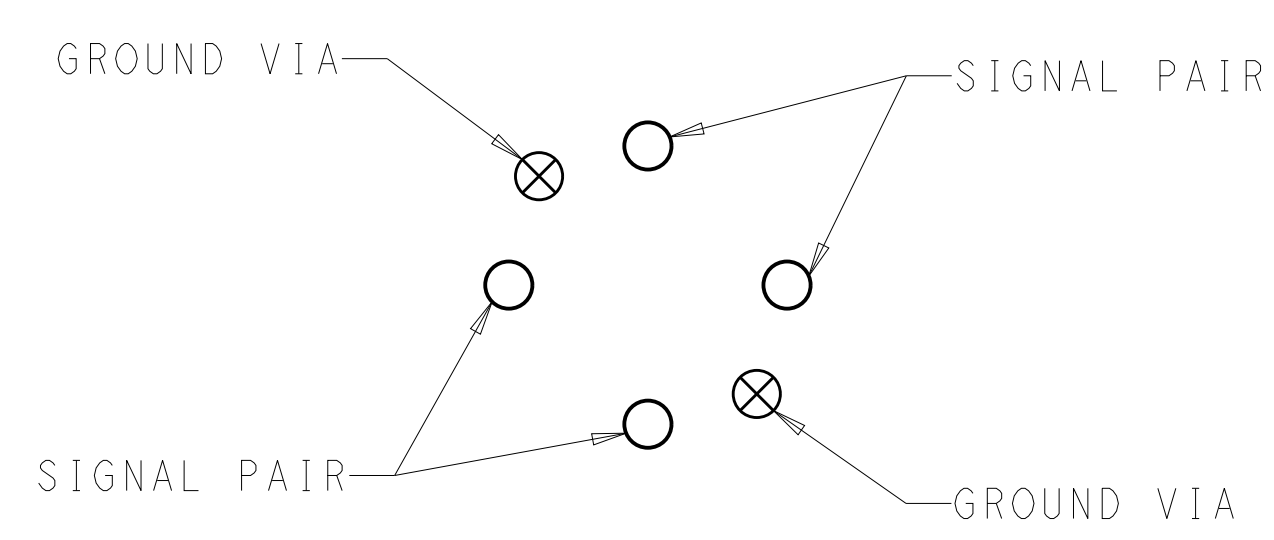


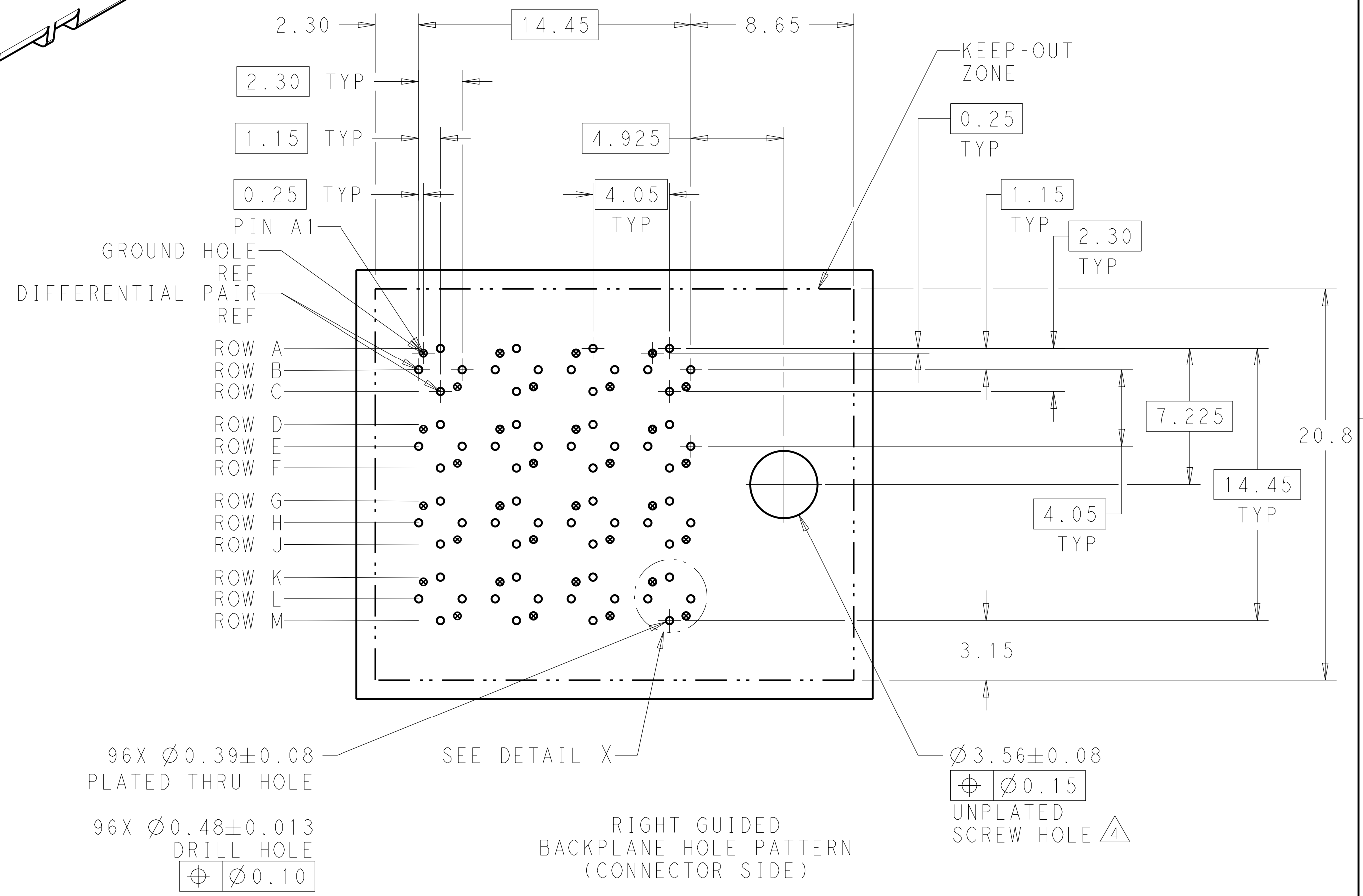
REVISIONS				
P.	LTM	DESCRIPTION	DATE	APV
C		REVISED PER ECO-14-013271	06SEP2014	AP DD



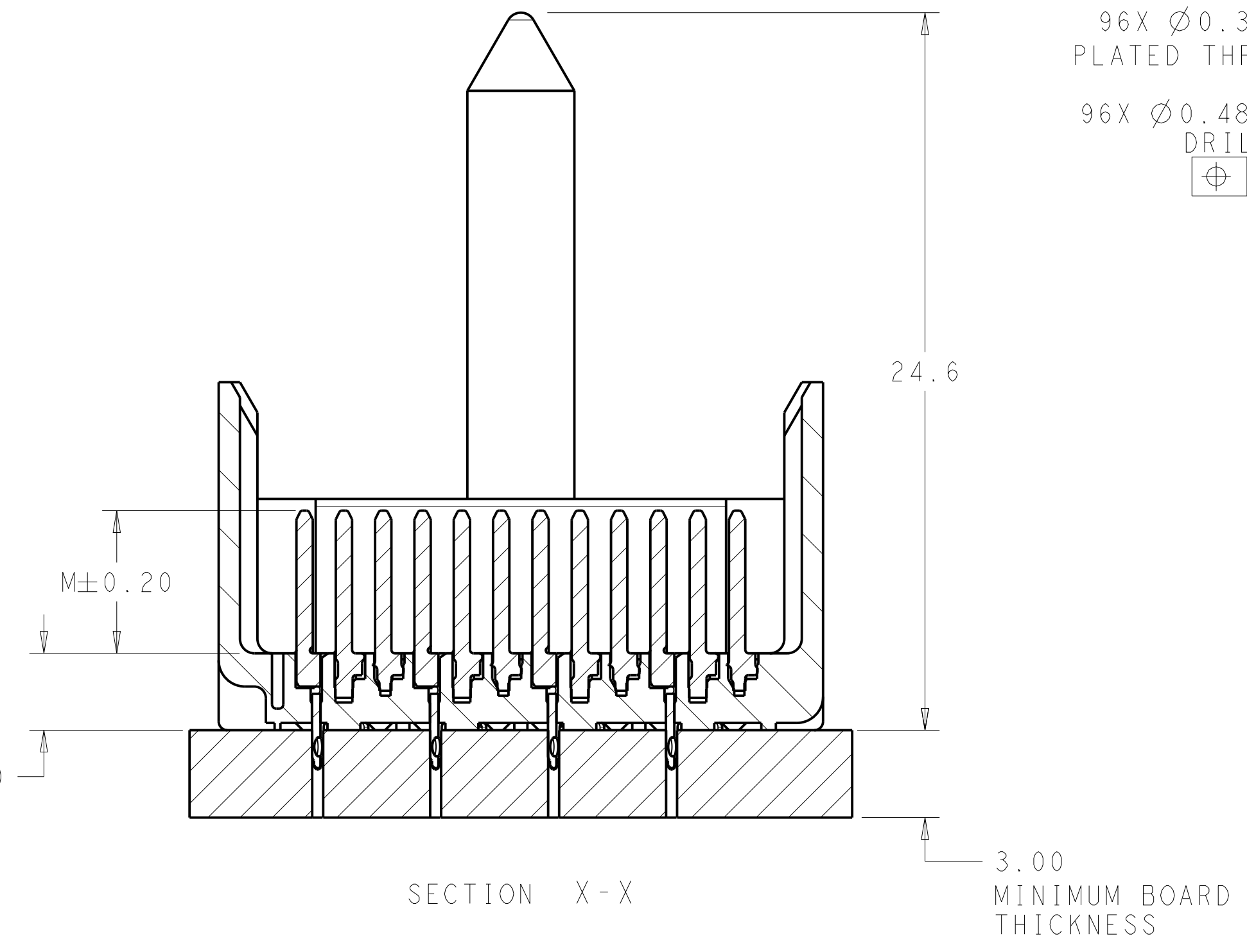
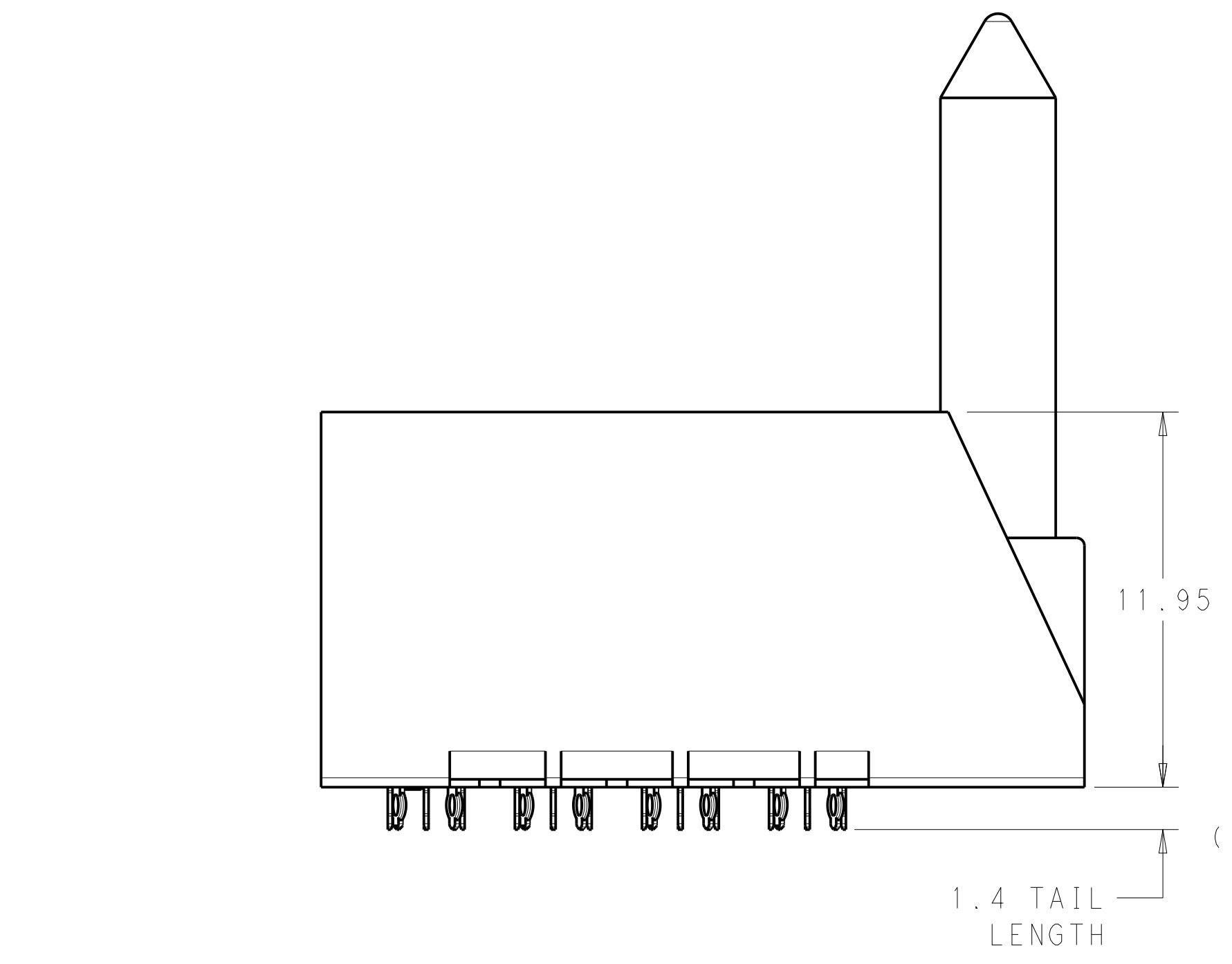
- 1 MATERIAL:  
HOUSING: LCP, GLASS FILLED, UL94V-0.  
TERMINALS: HIGH PERFORMANCE COPPER ALLOY.
- 2 FINISH:  
30μ" MIN GOLD IN CONTACT AREA. SELECTIVE TIN ON PCB TAILS, NICKEL OVERALL.
- 3. SCREWS PACKAGED IN END OF PACKAGING TUBE.
- 4 FOR GROUNDED GUIDE PIN USE  $\varnothing 3.56 \pm 0.08$  PTH,  $\varnothing 3.66$  DRILL, AND  $\varnothing 6.5$  PAD.



DETAIL X  
SCALE 16:1



REFER TO WWW.TE.COM FOR PRODUCT AVAILABILITY



FINISH	5.5	2132612-2
DIM M	4.9	2132612-1
PART NUMBER		

THIS DRAWING IS A CONTROLLED DOCUMENT.		DWN: KIRAN HOLAL 06APR2013		NAME: IMPACT, ORTHOGONAL, 4 PAIR, 8 COLUMN HEADER, RIGHT GUIDED, LEFT END WALL SIGNAL MODULE, 0.39 PTH	
DIMENSIONS: mm		CHK: D. DIXON 06APR2013		PRODUCT SPEC	
TOLERANCES UNLESS OTHERWISE SPECIFIED:		APV: D. DIXON 06APR2013		APPLICATION SPEC	
0 PLC ±		PRODUCT SPEC		SIZE: CAGE CODE: DRAWING NO: A100779C=2132612	
1 PLC ±0.25		APPLICATION SPEC		RESTRICTED TO	
2 PLC ±0.13		WEIGHT		SCALE: 6:1 SHEET 1 OF 1 REV C	
3 PLC ±		CUSTOMER DRAWING			
4 PLC ±					
ANGLES					
MATERIAL					
FINISH: SEE TABLE					