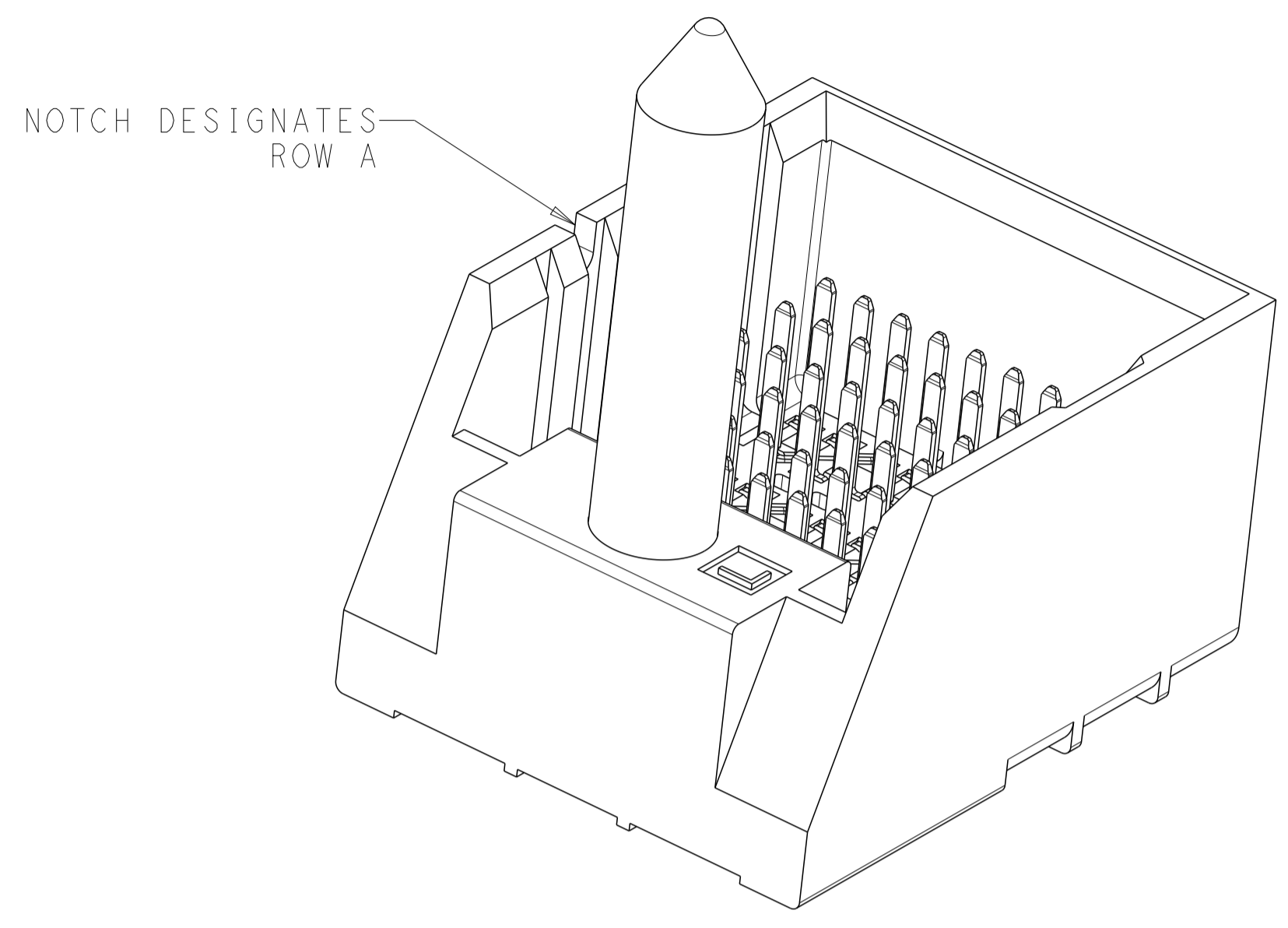
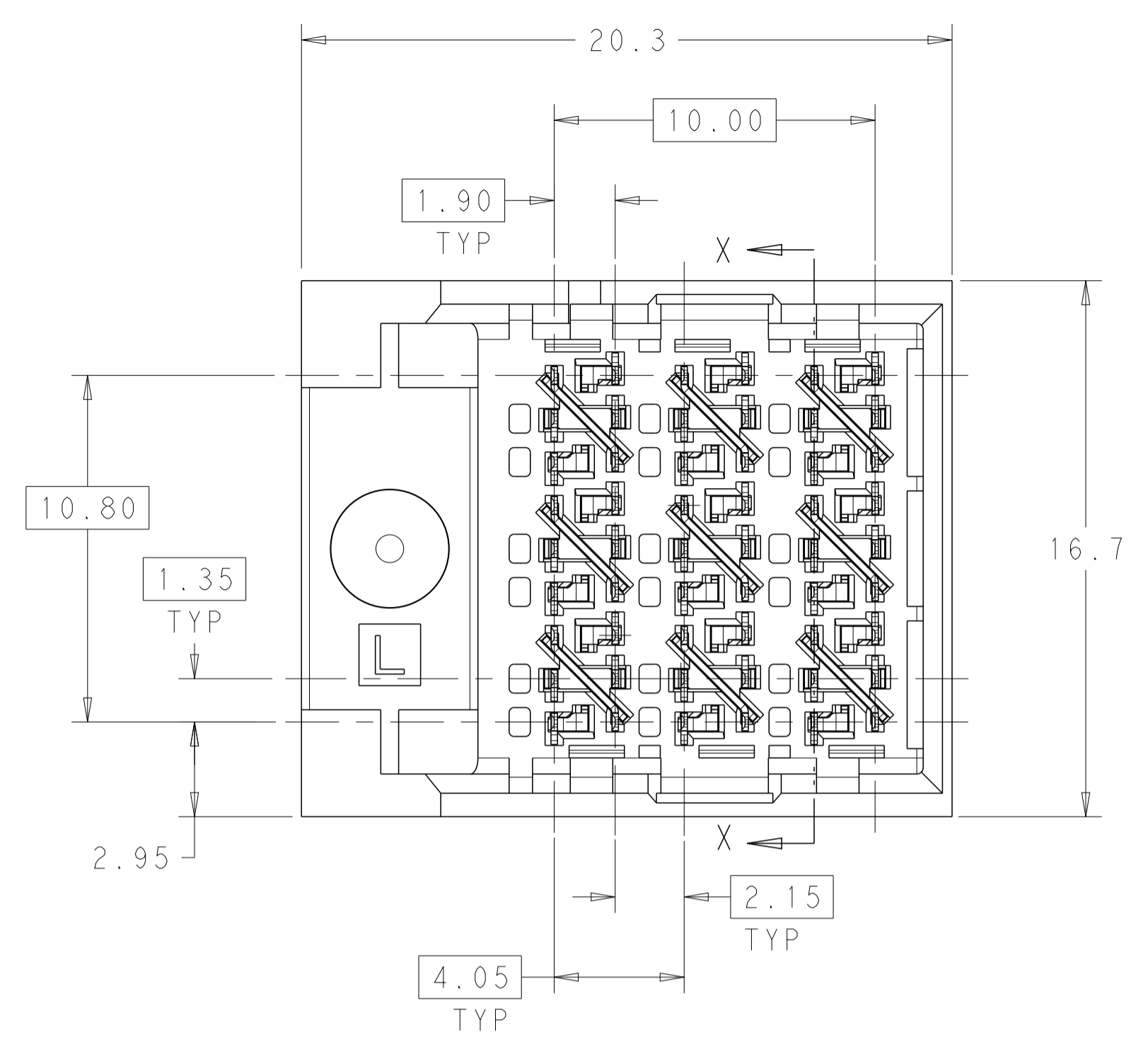
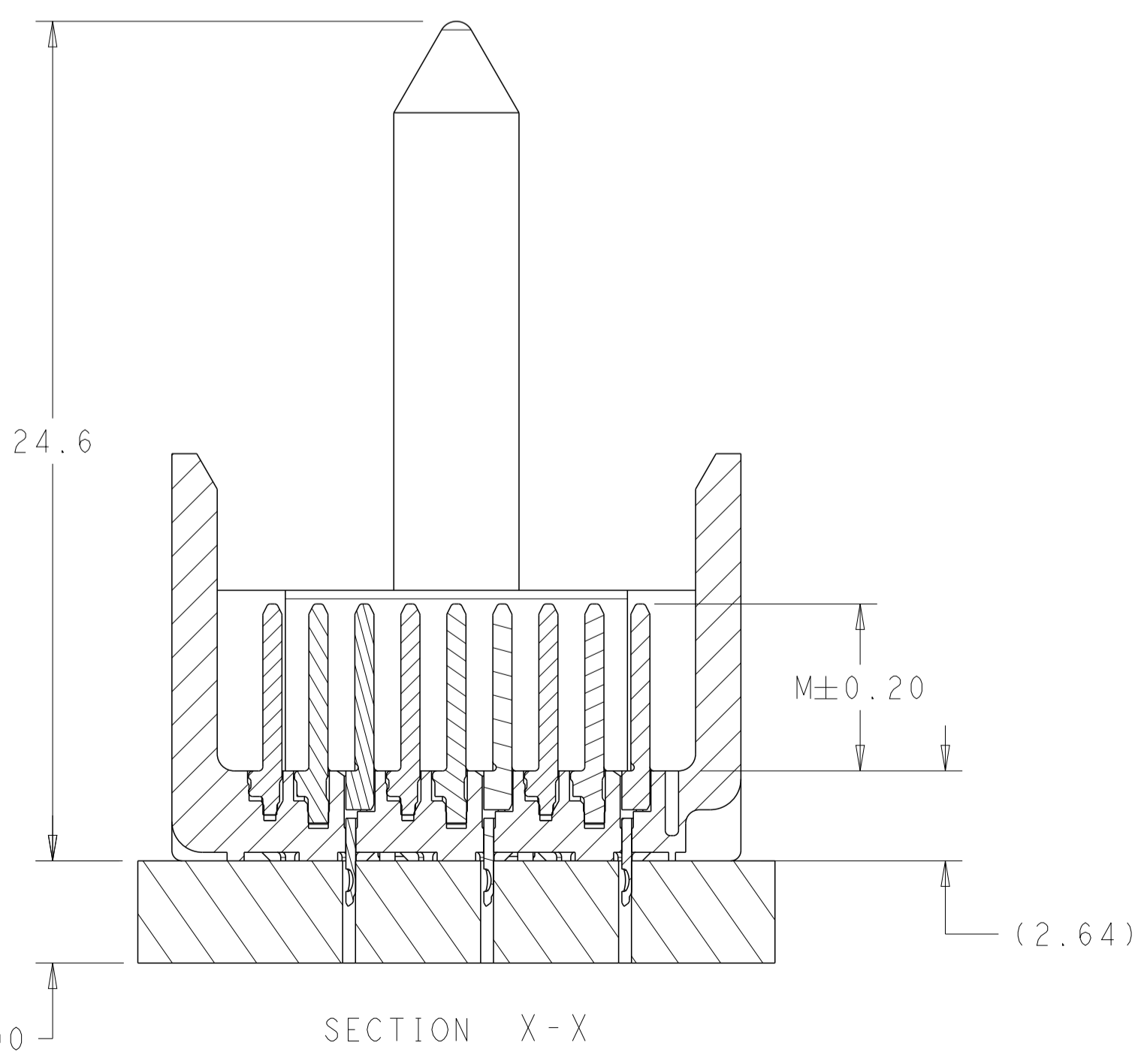
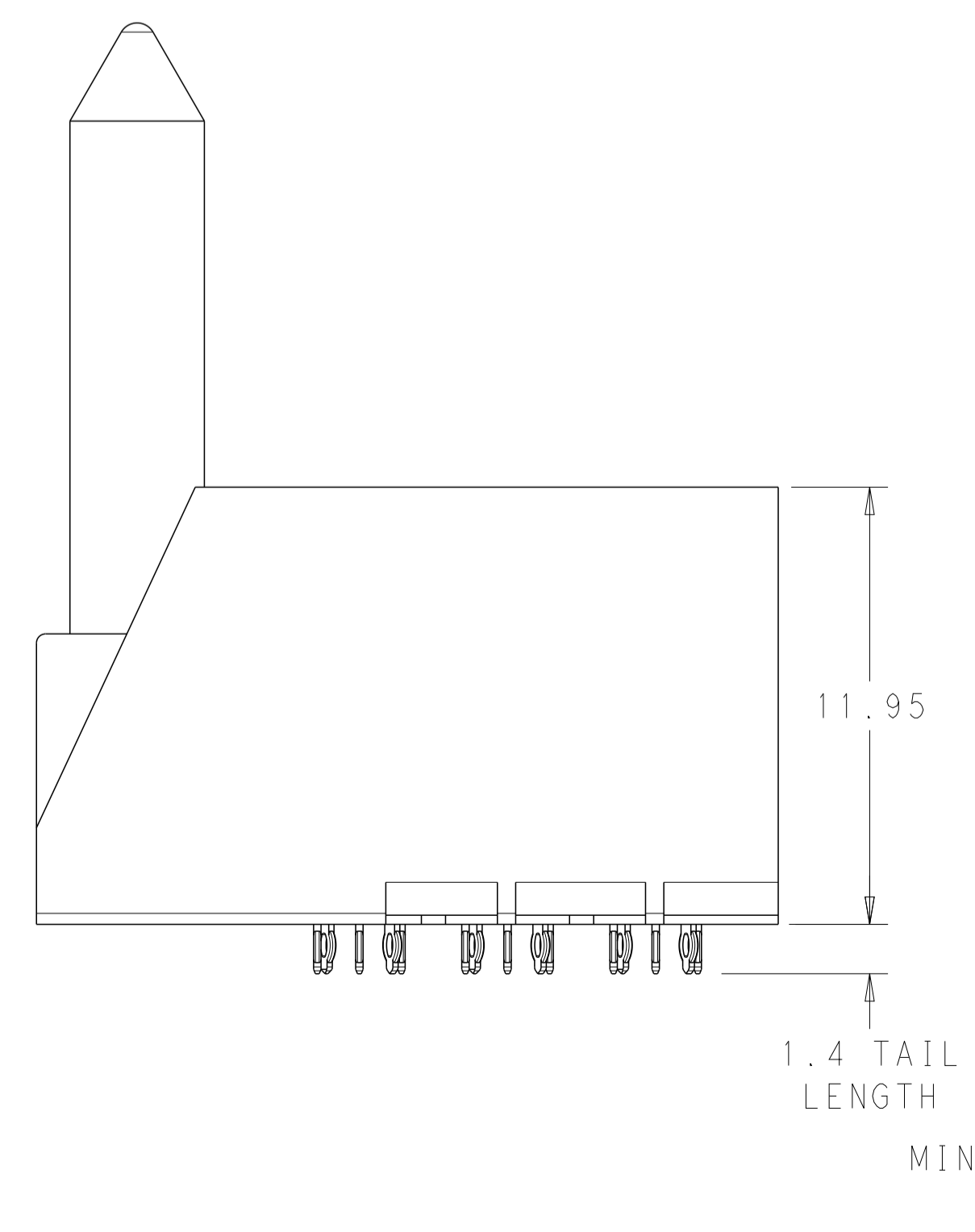
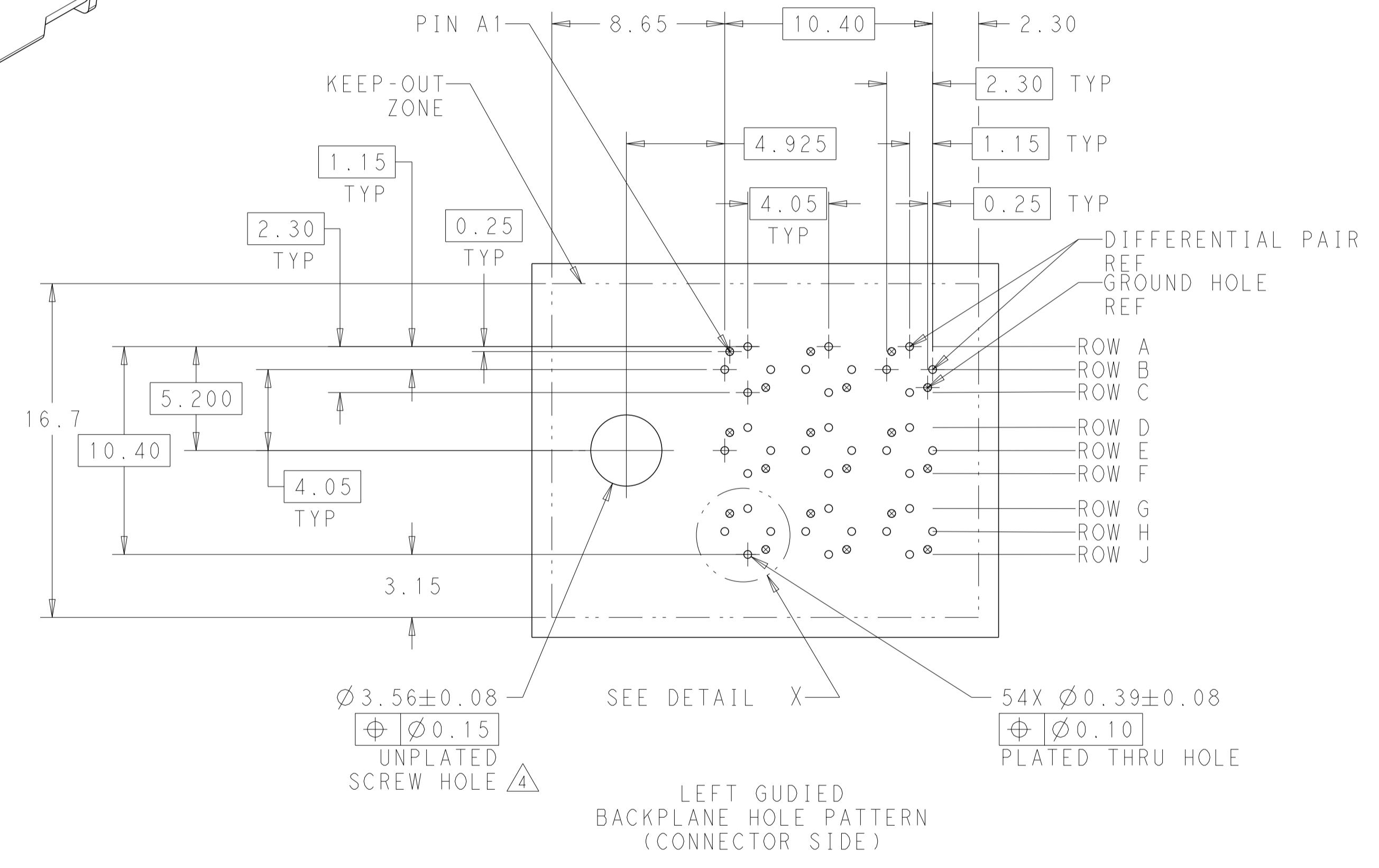
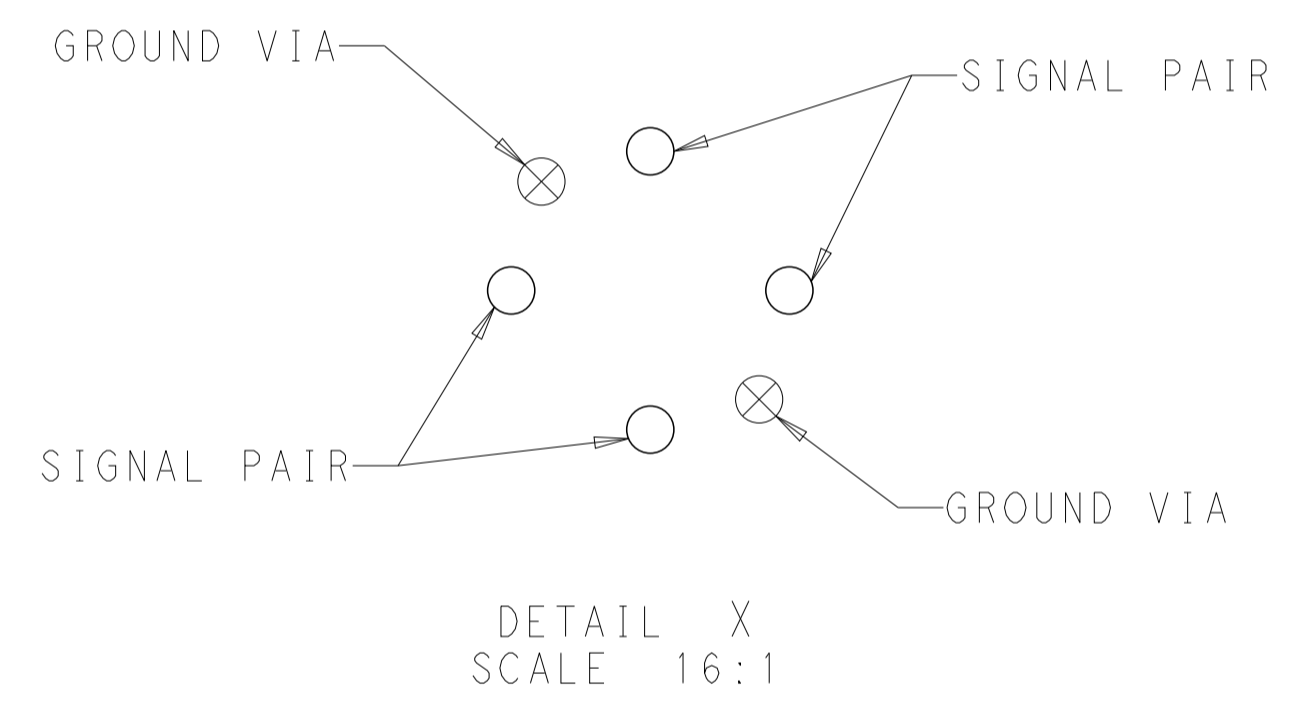


LOC	DIST	REVISIONS			
P	LTN	DESCRIPTION	DATE	DWN	APVD
C1		REVISED PER ECO-15-001489	30JAN2015	AP	DD
C2		REVISED PER ECN-24-252036	21MAR2024	AP	RS



- 1 MATERIAL:
HOUSING: LCP, GLASS FILLED, UL94V-0.
TERMINALS: HIGH PERFORMANCE COPPER ALLOY.
- 2 FINISH:
30µ" MIN GOLD IN CONTACT AREA. SELECTIVE TIN ON PCB TAILS, NICKEL OVERALL.
- 3. SCREWS PACKAGED IN END OF PACKAGING TUBE.
- 4 FOR GROUNDED GUIDE PIN USE $\varnothing 3.56 \pm 0.08$ PTH, $\varnothing 3.66$ DRILL, AND $\varnothing 6.5$ PAD.



REFER TO WWW.TE.COM FOR PRODUCT AVAILABILITY			
OBSOLETE	2	5.5	2132570-2
	2	4.9	2132570-1
	FINISH	DIM M	PART NUMBER

THIS DRAWING IS A CONTROLLED DOCUMENT.

DIMENSIONS:	TOLERANCES UNLESS OTHERWISE SPECIFIED:	DWN: J. K. SHOBER 04JAN2011	NAME: IMPACT, ORTHOGONAL, 3 PAIR, 6 COLUMN HEADER, LEFT GUIDED, RIGHT END WALL SIGNAL MODULE, 0.46 PTH
mm	0 PLC ±0.25 1 PLC ±0.25 2 PLC ±0.13 3 PLC ±0.13 4 PLC ±0.13 ANGLES ±0.13	CHK: J. EARY 04JAN2011	SIZE: A1
MATERIAL:	FINISH: SEE TABLE	APVD: J. EARY 04JAN2011	CAGE CODE: C=2132570
		PRODUCT SPEC: -	RESTRICTED TO: -
		APPLICATION SPEC: -	SCALE: 6:1
		WEIGHT: -	SHEET: 1 OF 1
		CUSTOMER DRAWING	REV: C2