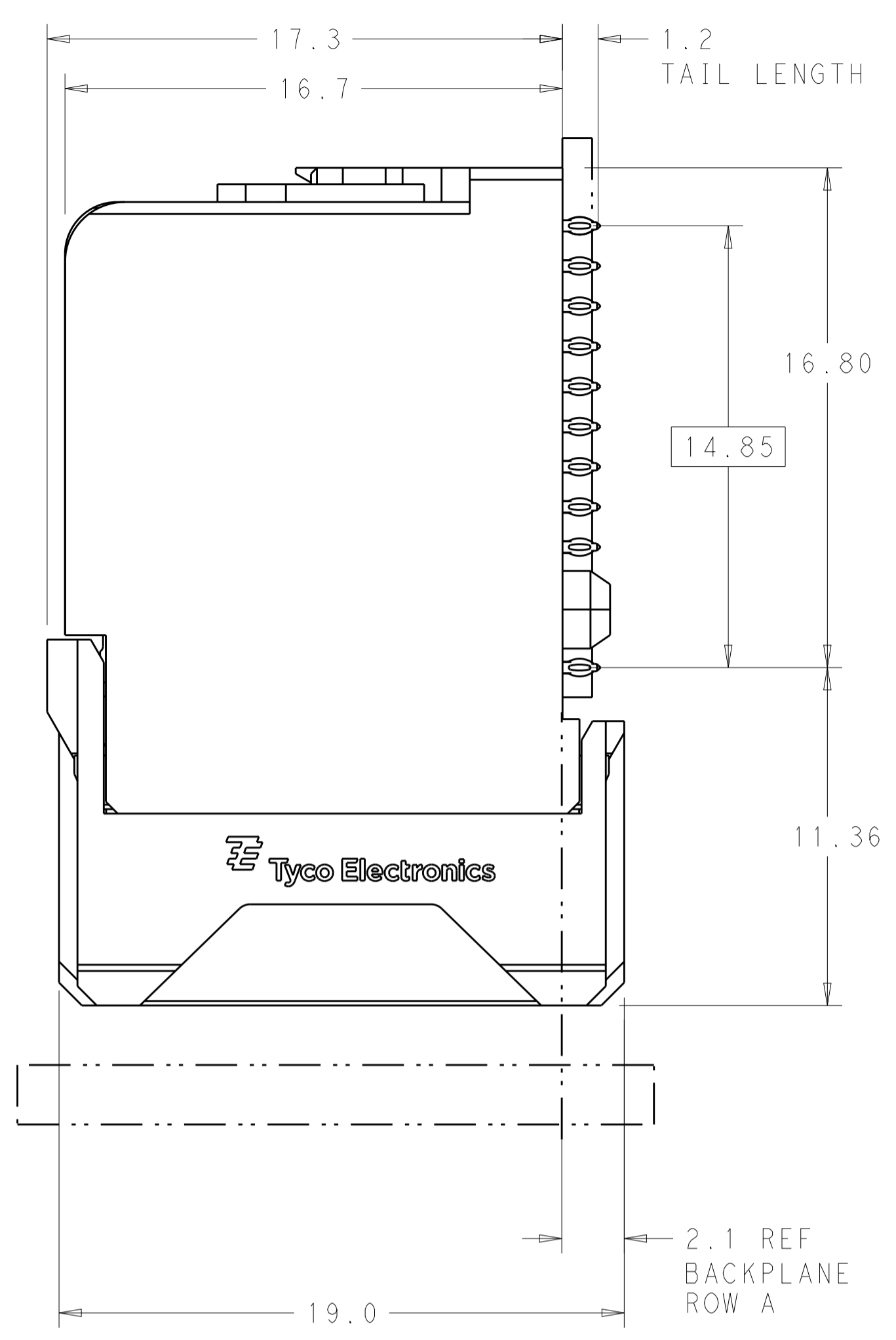
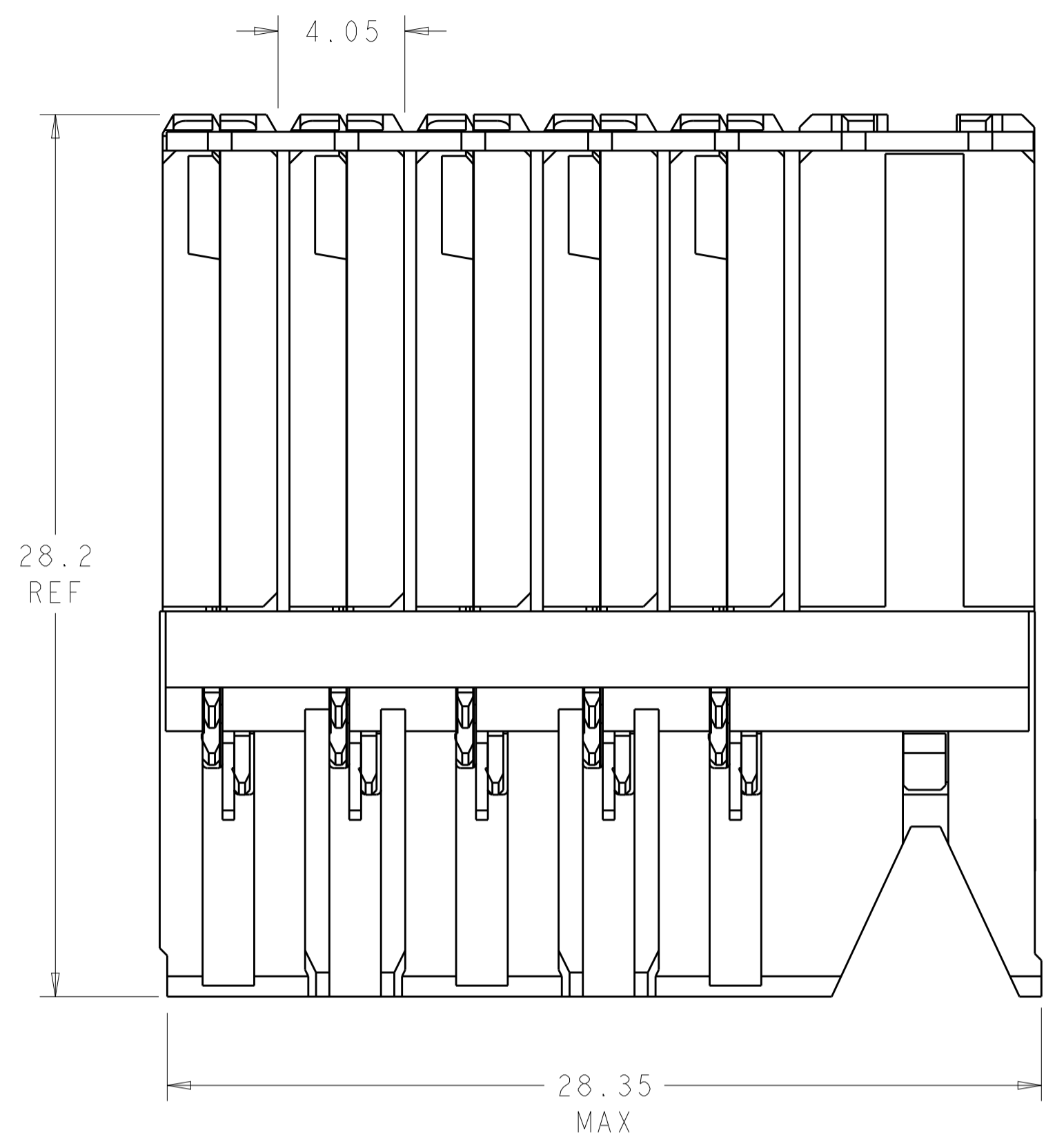
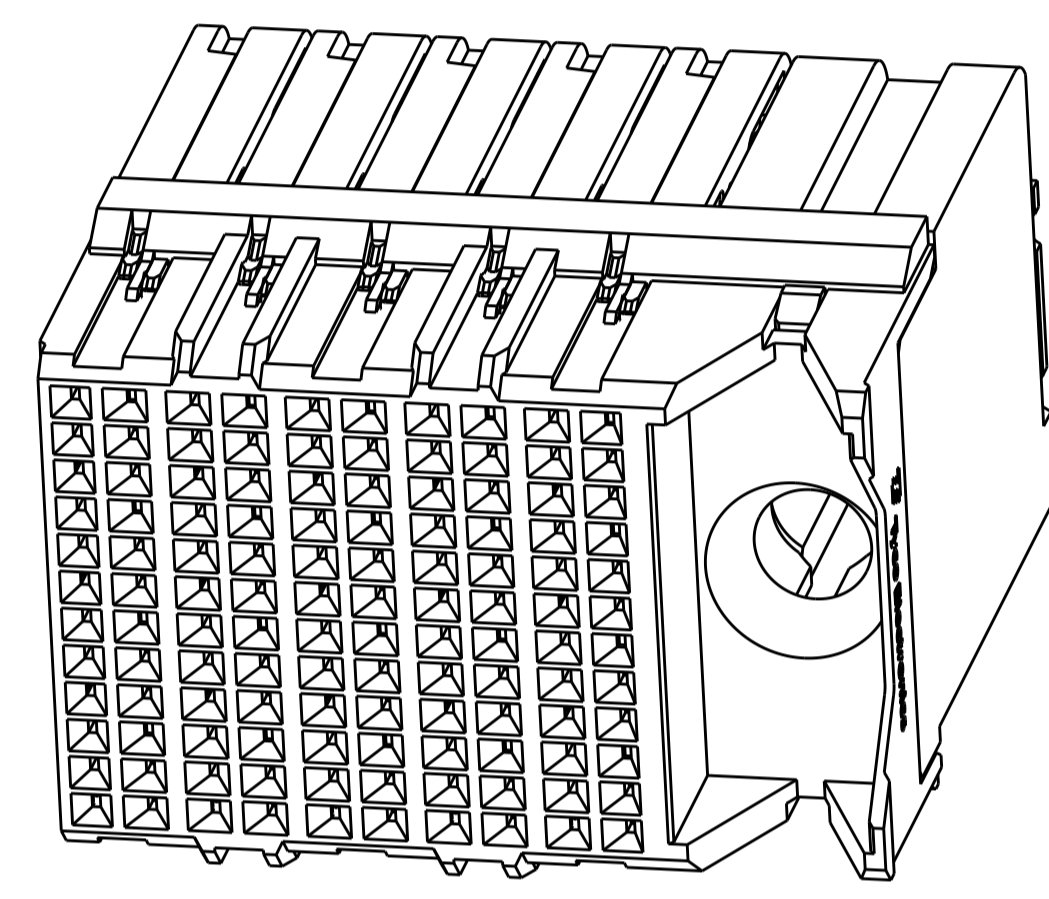


LOC		DIST		REVISIONS			
AD	00	P	LTH	DESCRIPTION	DATE	DWN	APVD
		A		DRAWING CREATED BY AUTOMATION PROGRAM	27MAY2015	AP	DD

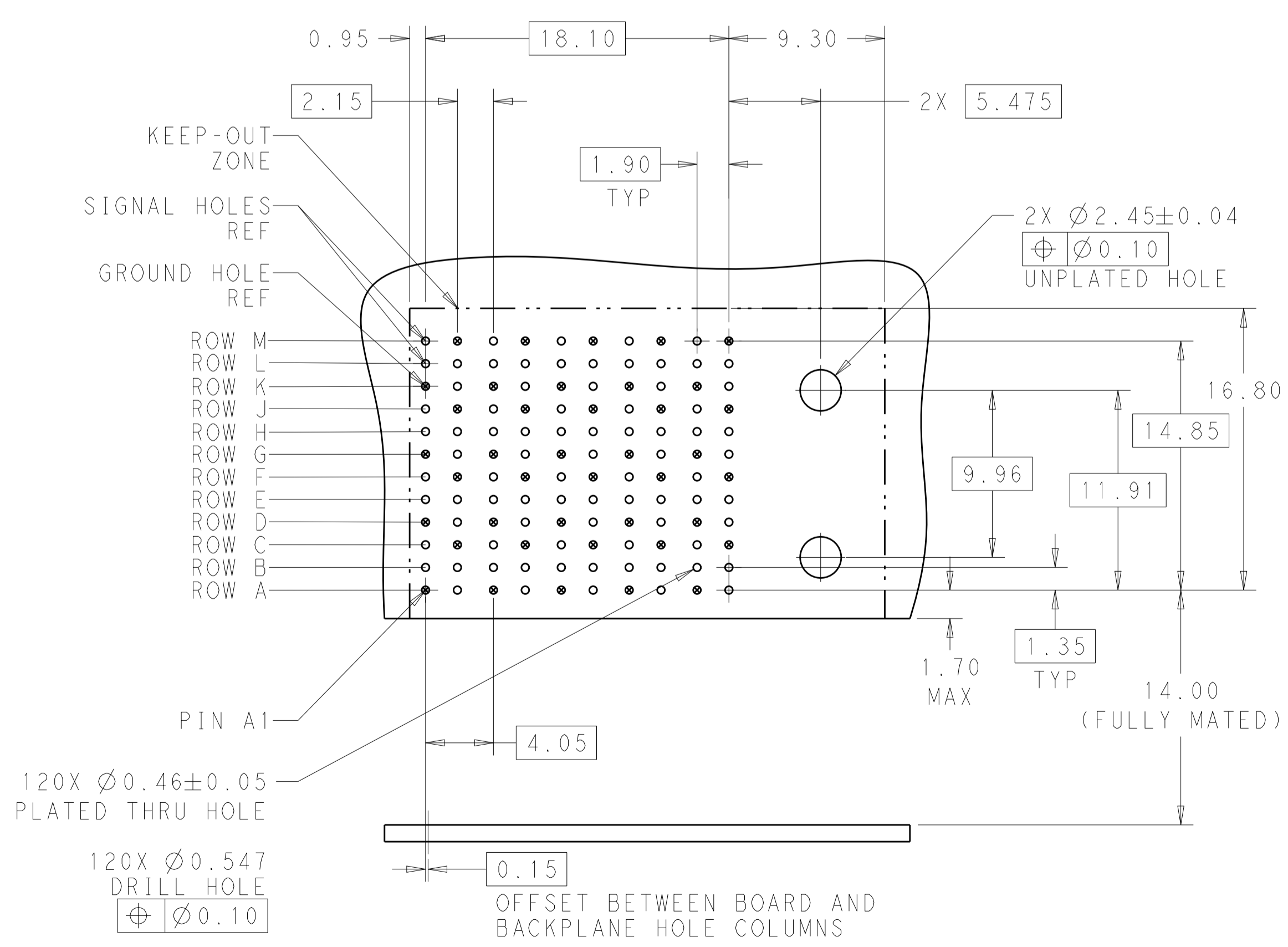
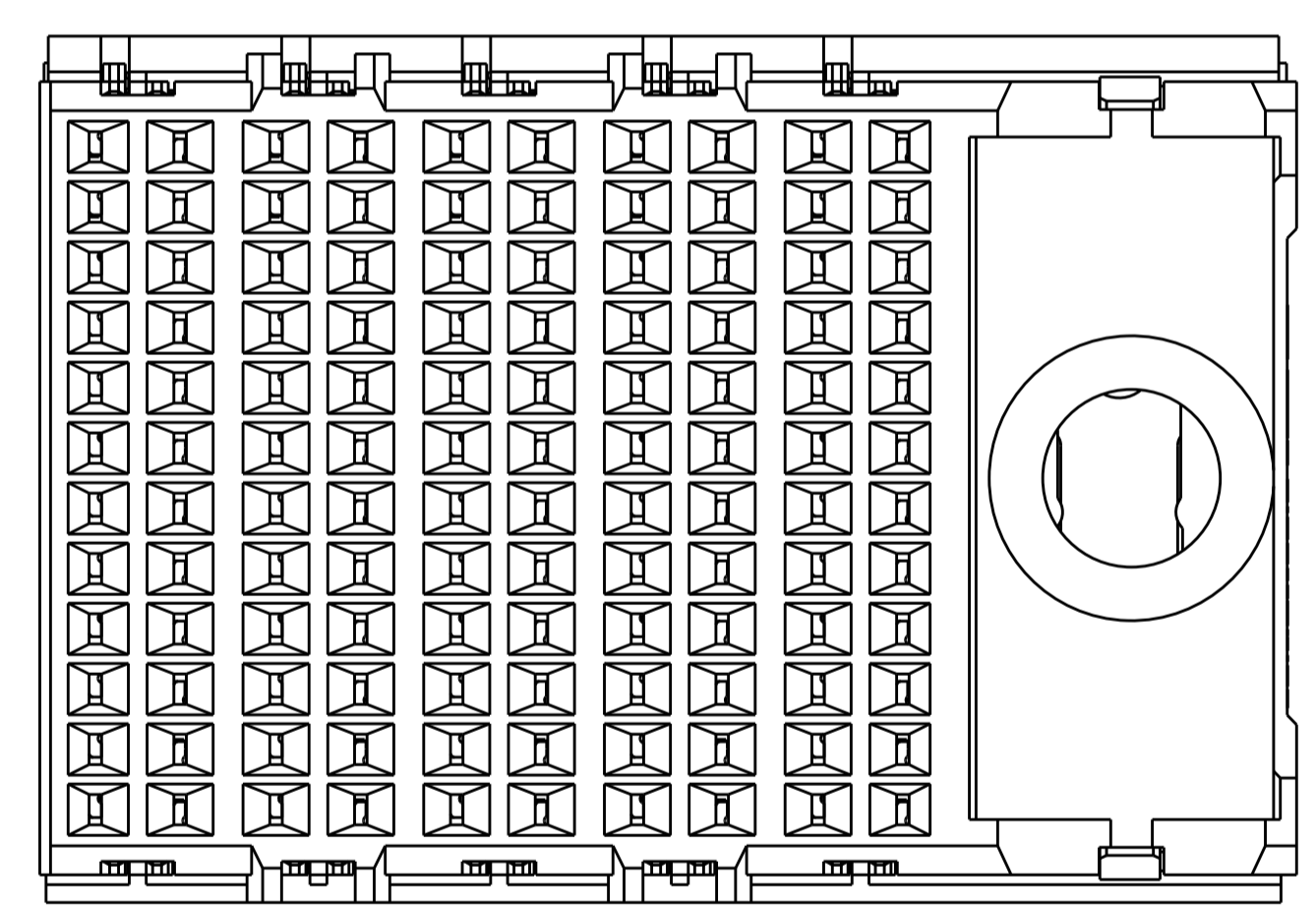


- ⚠ MATERIAL:
HOUSING: LCP, GLASS FILLED, UL94V-0.
TERMINALS: HIGH PERFORMANCE COPPER ALLOY.
- ⚠ FINISH:
30µ" SELECTIVE GOLD IN CONTACT AREA. SELECTIVE TIN ON PCB TAILS, NICKEL OVERALL.
- 3. CONNECTORS SUPPLIED WITH MOUNTING SCREWS.



SCALE 4:1

REFER TO WWW.TE.COM FOR PRODUCT AVAILABILITY



120X $\varnothing 0.46 \pm 0.05$ PLATED THRU HOLE
 120X $\varnothing 0.547$ DRILL HOLE
 $\varnothing 0.10$

RECOMMENDED PCB LAYOUT
 MIN BOARD THICKNESS 1.0

NONE	⚠	2132486-1
KEY POSITION	FINISH	PART NUMBER

THIS DRAWING IS A CONTROLLED DOCUMENT.		DWN AJITH PAI 27MAY2015	TE Connectivity IMPACT, ORTHOGONAL, 4 PAIR, DAUGHTERCARD, 10 COLUMN, RIGHT GUIDED, SIGNAL MODULE, 0.46 EYELET
DIMENSIONS: mm		CHK D. DIXON 27MAY2015	
TOLERANCES UNLESS OTHERWISE SPECIFIED:		APVD D. DIXON 27MAY2015	
0 PLC ± 1 PLC ±0.25 2 PLC ±0.15 3 PLC ± 4 PLC ± ANGLES ±		NAME	
MATERIAL		WEIGHT	SIZE CAGE CODE DRAWING NO
FINISH SEE TABLE		CUSTOMER DRAWING	RESTRICTED TO
		SCALE 6:1	SHEET 1 OF 1 REV A