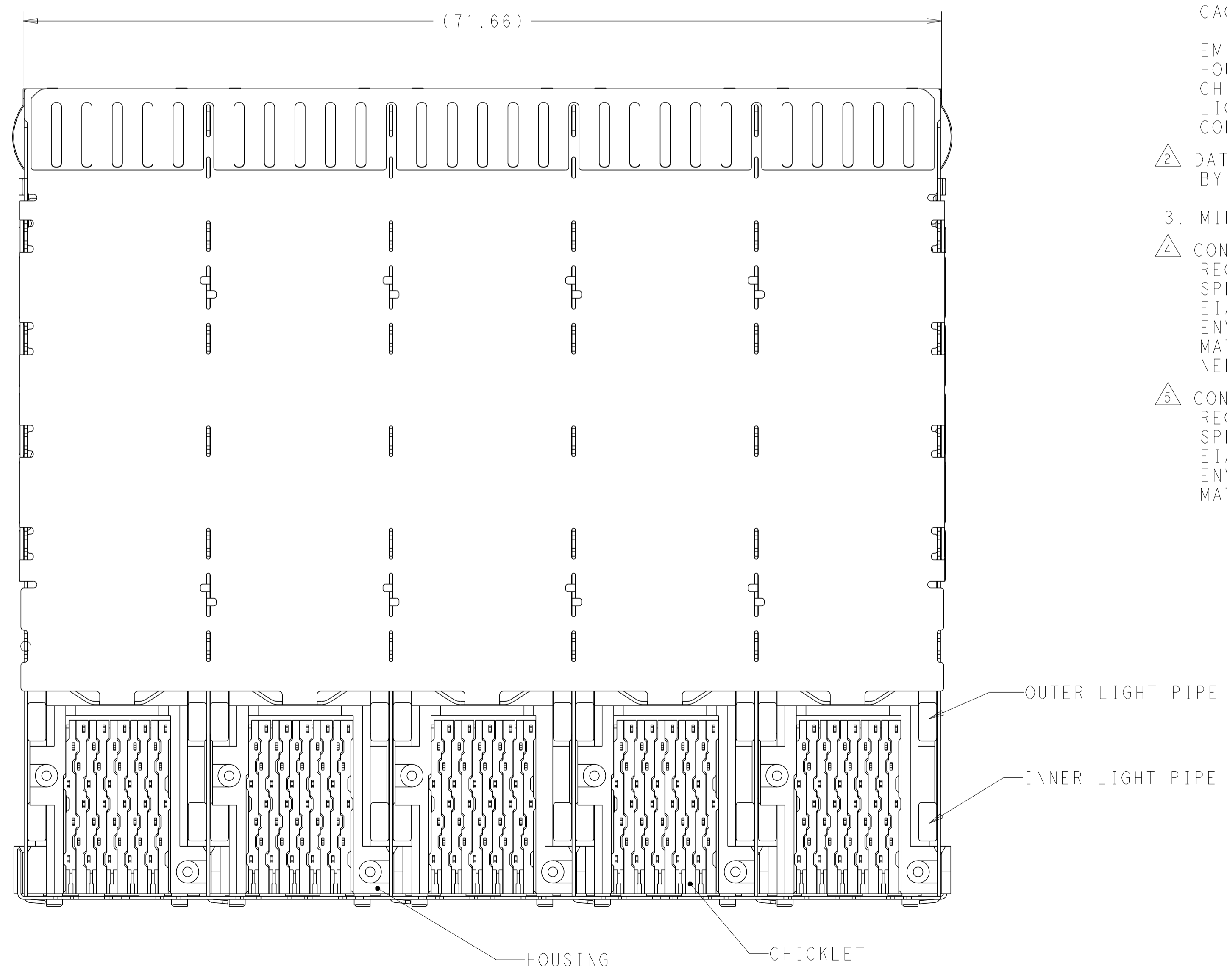
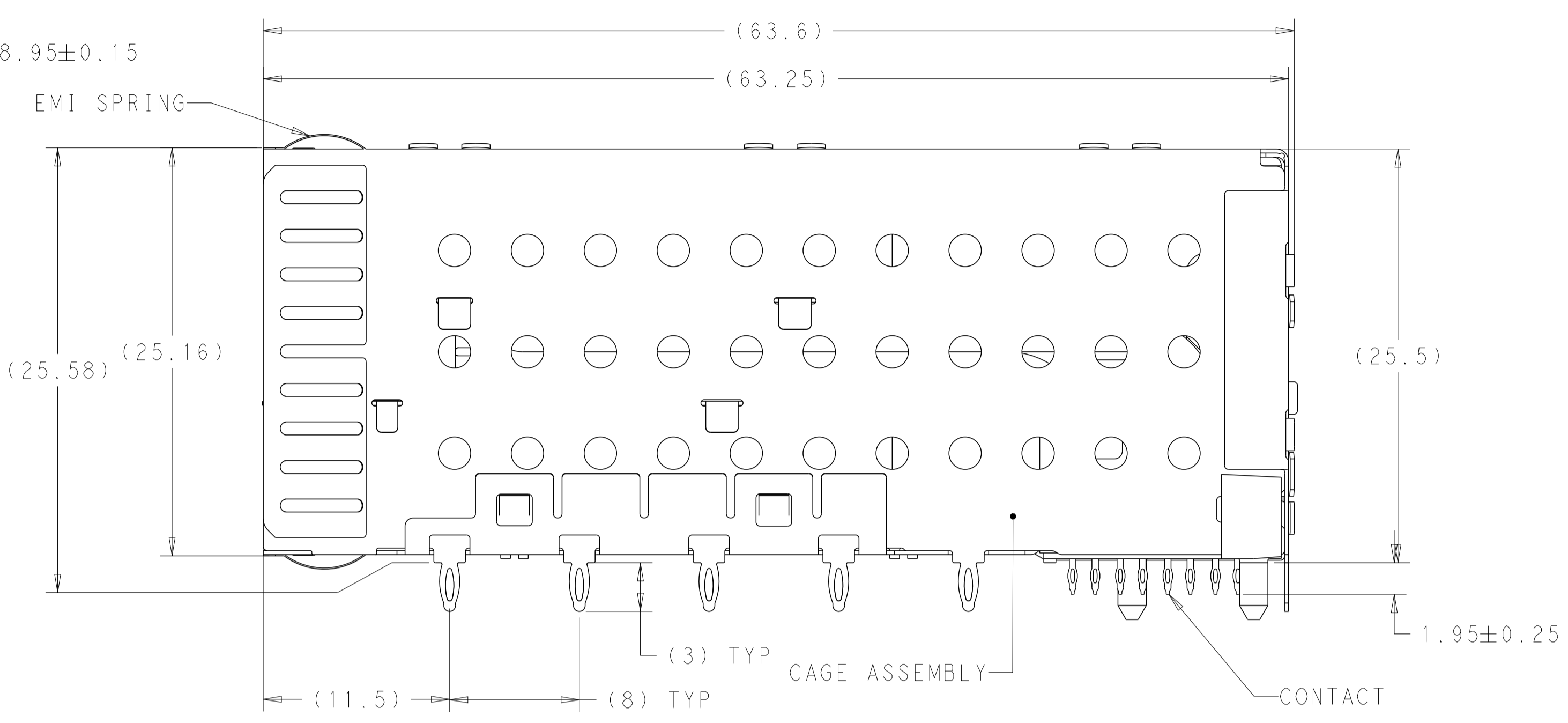
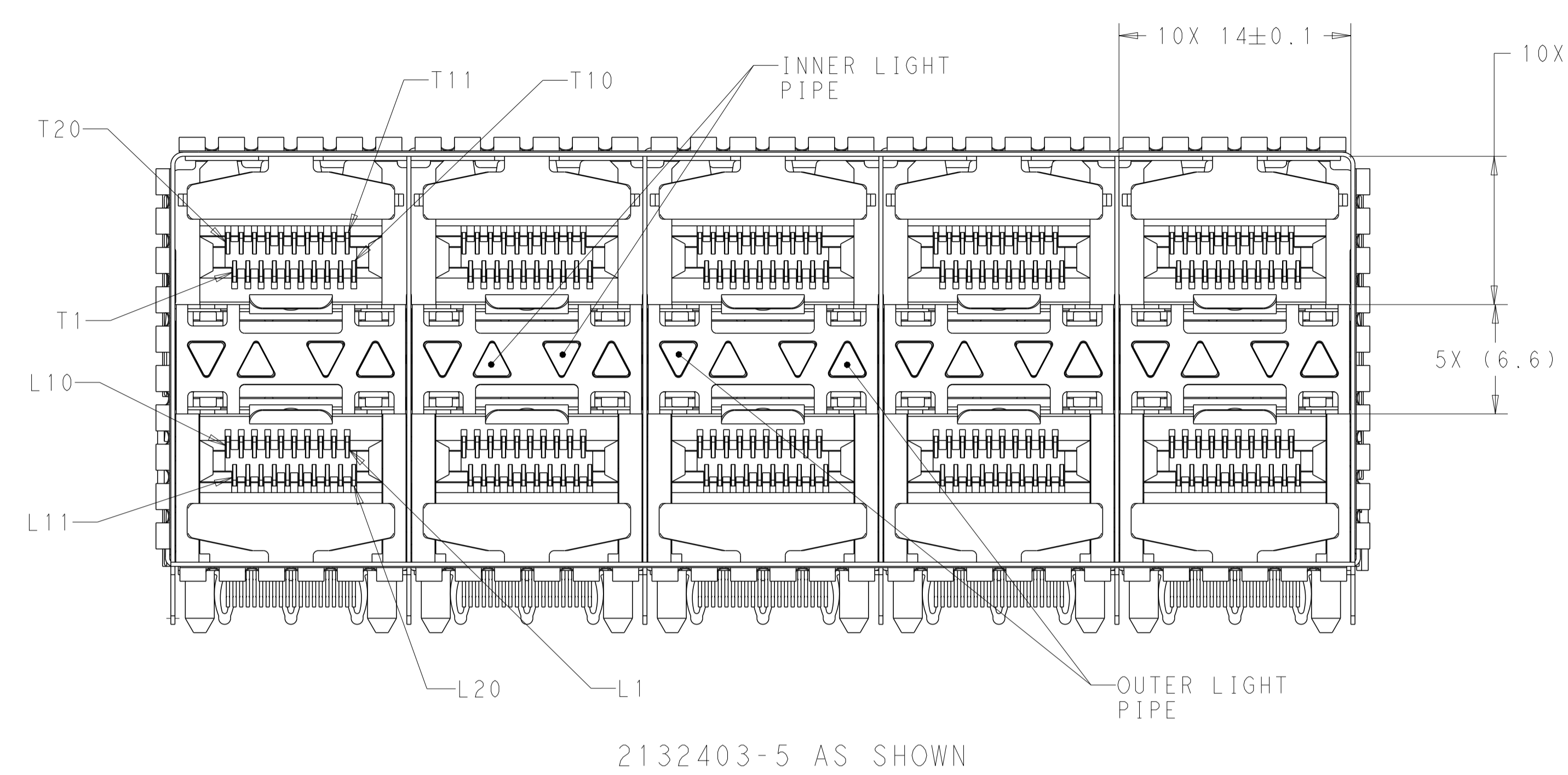


LOC		DIST		REVISIONS			
P	LTN	DATE	DMN	APVD			
B		06APR2016	AP	RP	REVISED PER ECO-15-017919		



- 1 MATERIALS:
CAGE ASSEMBLY- NICKEL SILVER ALLOY PER ASTM B 122.
EMI SPRING- COPPER ALLOY.
HOUSING- BLACK LCP, UL 94V-0 RATED.
CHICKLET- BLACK LCP, UL 94V-0 RATED.
LIGHT PIPE- POLYCARBONATE, CLEAR.
CONTACT- COPPER ALLOY.
- 2 DATUM AND BASIC DIMENSIONS ESTABLISHED BY CUSTOMER.
- 3. MINIMUM PCB THICKNESS OF 1.5.
- 4 CONTACT FINISH: CONFORMS TO THE REQUIREMENTS OF TE PRODUCT SPECIFICATION 108-2331, BASED ON EIA/ECA-364-1000.01A, (CONTROLLED ENVIRONMENT APPLICATIONS) ON MATING INTERFACE, TIN-LEAD ON NEEDLE EYE.
- 5 CONTACT FINISH: CONFORMS TO THE REQUIREMENTS OF TE PRODUCT SPECIFICATION 108-2331, BASED ON EIA/ECA-364-1000.01A, (CONTROLLED ENVIRONMENT APPLICATIONS) ON MATING INTERFACE, TIN ON NEEDLE EYE.
- 6 FOR HOLE SIZE AND PLATINGS, SEE APPLICATION SPEC 114-13219.
- 7 THE ENTIRE AREA OF THE CONNECTOR FOOTPRINT, INDICATED BY THE DASHED LINE, TO BE CONSIDERED THE KEEPTOUT AREA FOR COMPONENTS AND SIGNAL TRACES, TOP SIDE ONLY. TOP SIDE TRACES ALLOWED WITHIN CONNECTOR HOLE PATTERN.
- 8 LIGHT PIPE PAD LAYOUT IS FOR 0805 LOW PROFILE LED PACKAGE WITH A HEIGHT OF 0.8mm.
- 9 EMI SPRING FINISH: 0.8µm MINIMUM MATTE TIN OVER 0.8µm MINIMUM NICKEL, NON-PLATED EDGES PERMISSIBLE.
- 10 ADDITIONAL COMPONENT LOCATED WITHIN LATCH PLATE FOR EMI SUPPRESSION.

ENHANCED EMI	FINISH	DESCRIPTION	PART NUMBER
YES 10	5	NO LIGHT PIPES	1-2132403-8
		OUTER 2 LIGHT PIPES	1-2132403-7
		INNER 2 LIGHT PIPES	1-2132403-6
		4 LIGHT PIPES	1-2132403-5
NO	5	NO LIGHT PIPES	2132403-8
		OUTER 2 LIGHT PIPES	2132403-7
		INNER 2 LIGHT PIPES	2132403-6
SUPERSEDED	NO	4 LIGHT PIPES	2132403-5
		NO LIGHT PIPES	2132403-4
		OUTER 2 LIGHT PIPES	2132403-3
		INNER 2 LIGHT PIPES	2132403-2
		4 LIGHT PIPES	2132403-1

THIS DRAWING IS A CONTROLLED DOCUMENT. DIMENSIONING AND TOLERANCING PER ASME Y14.5M-2009. TOLERANCES UNLESS OTHERWISE SPECIFIED:

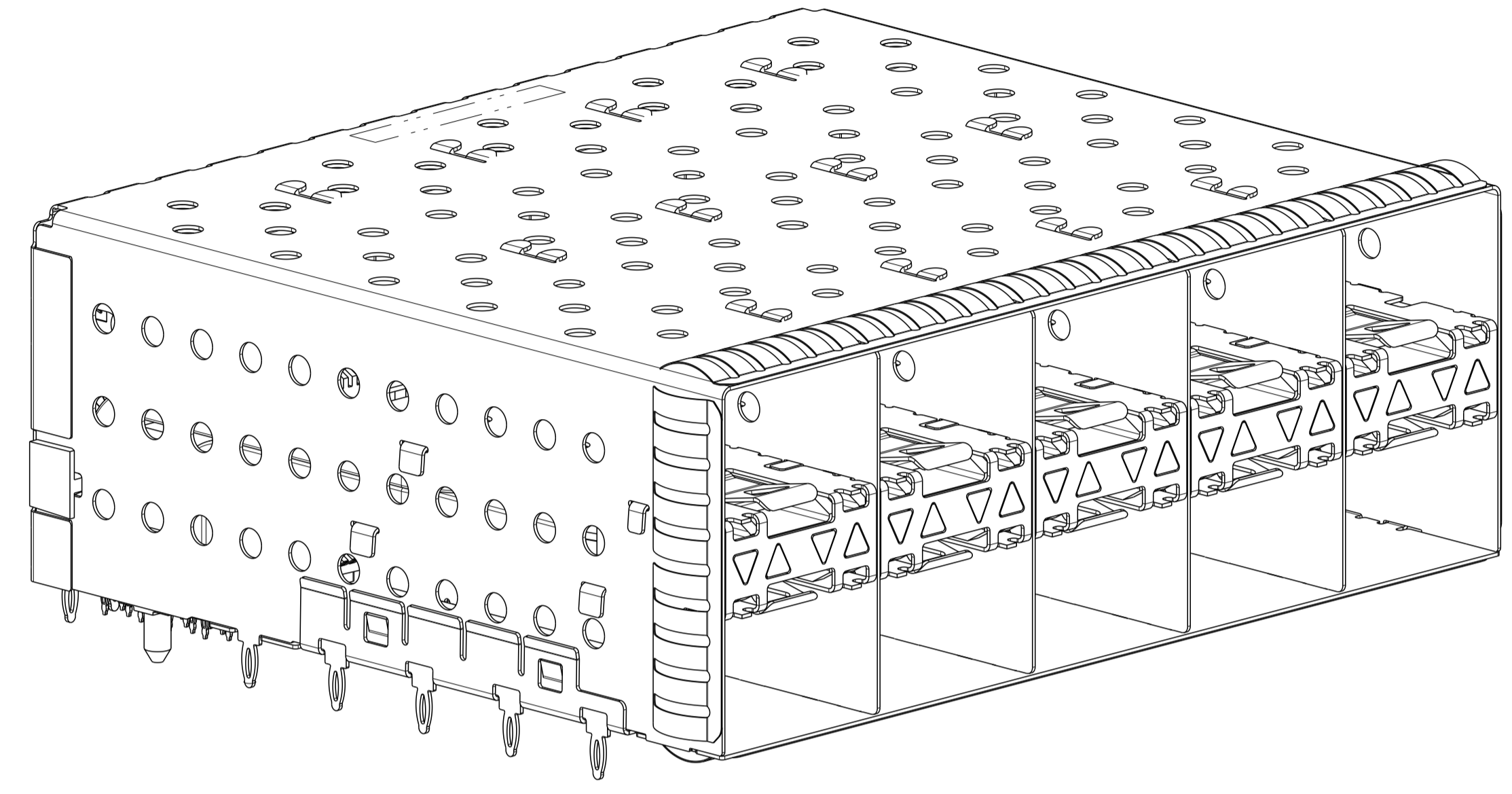
DIMENSIONS:	mm	0 PLC ±0.1	1 PLC ±0.1	2 PLC ±0.1	3 PLC ±0.1	4 PLC ±0.1	ANGLES ±°	FINISH
MATERIAL	1	4	5	9				

DMN: C. VALENTINE 06JAN2010
CHK: J. PETERSON 06JAN2010
APVD: J. PETERSON 06JAN2010

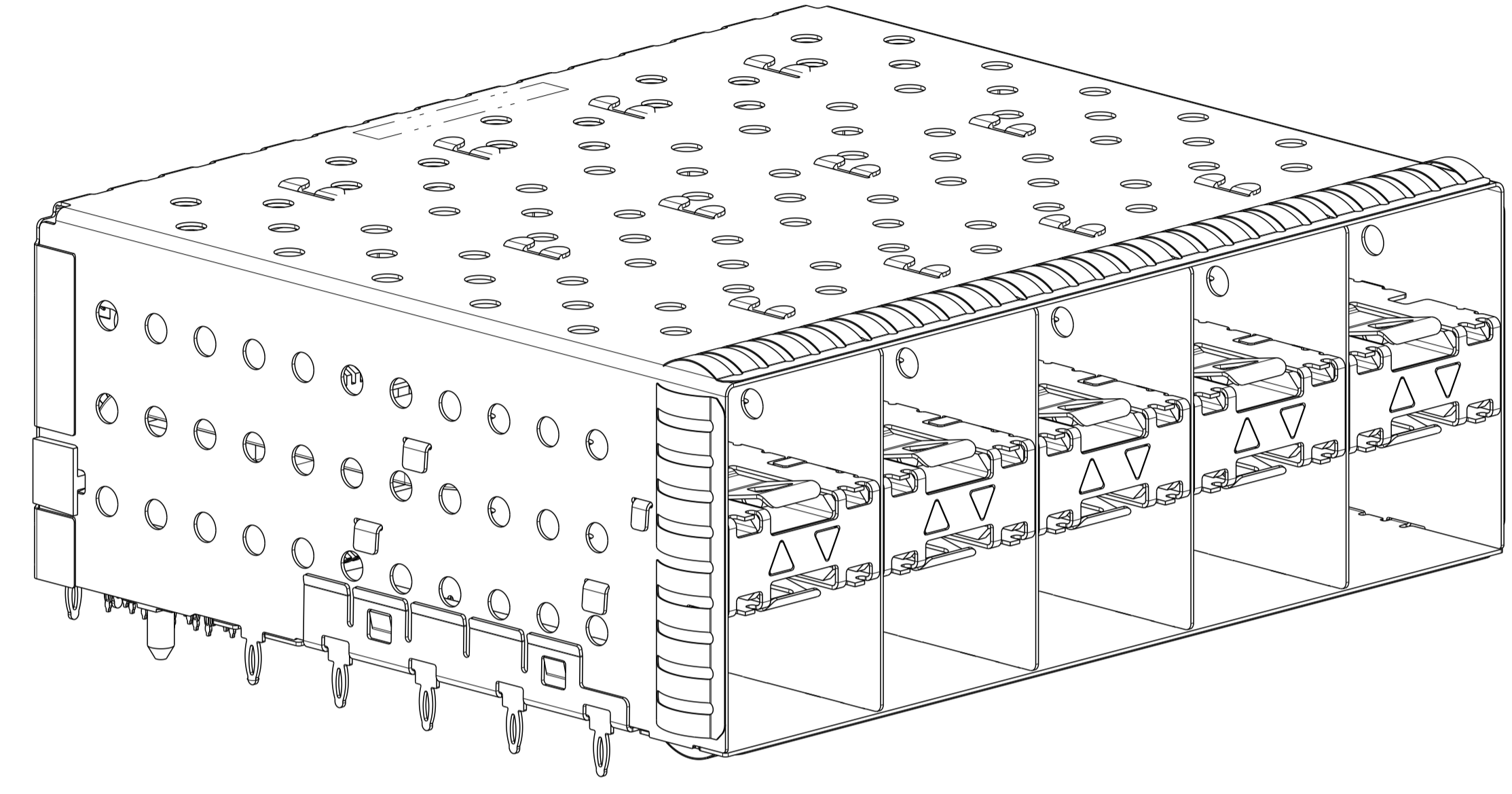
NAME: CAGE AND PT CONNECTOR ASSEMBLY, WITH EMI SPRINGS, PRESS FIT, 2X5, STACKED SFP+
PRODUCT SPEC: 108-2331
APPLICATION SPEC: 114-13219
SIZE: A1
CAGE CODE: 00779
DRAWING NO: 2132403
WEIGHT: -
CUSTOMER DRAWING

TE Connectivity
SCALE: 4:1 SHEET 1 OF 4 REV B

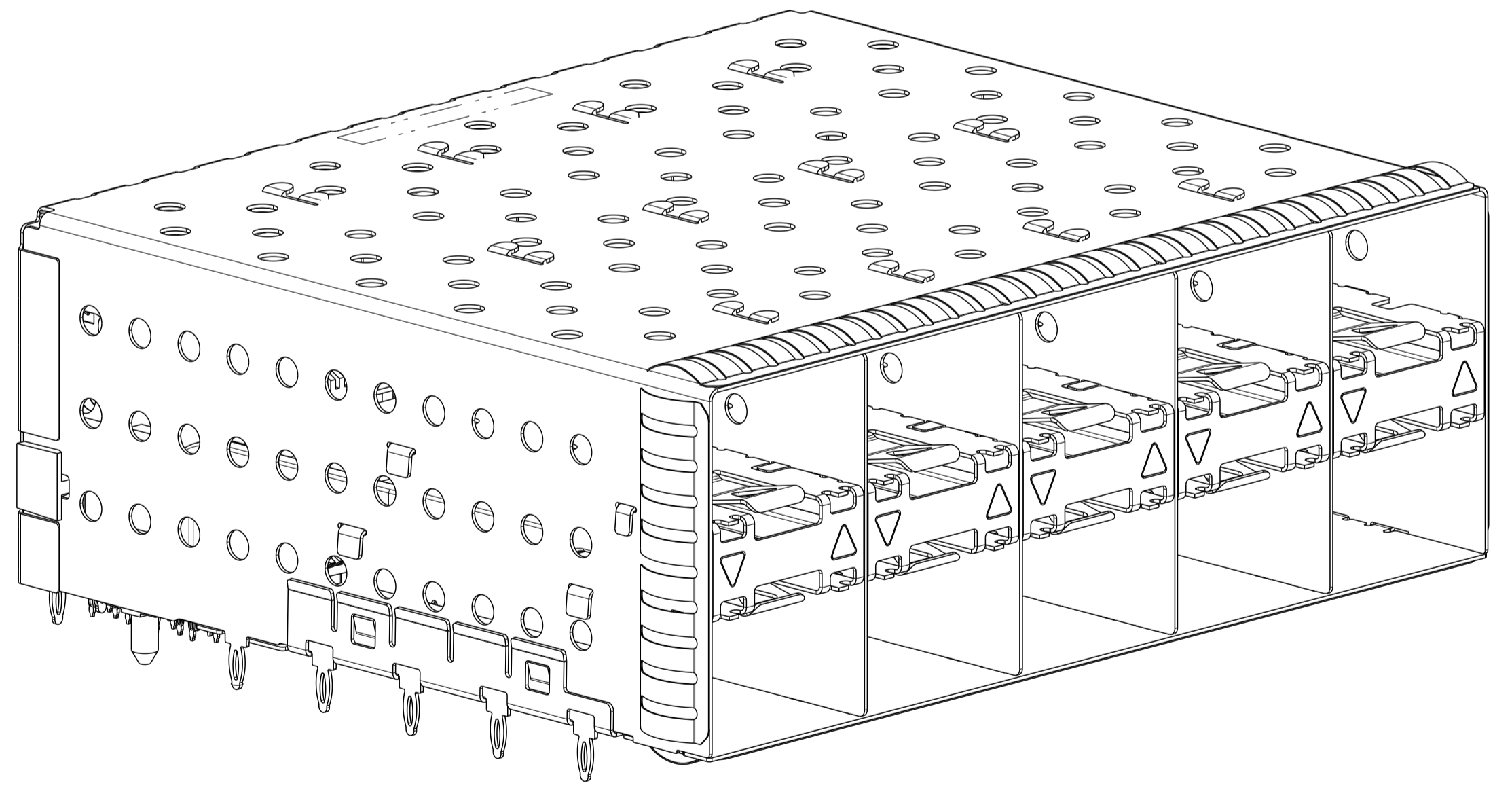
LOC		DIST		REVISIONS			
P	LTN	DESCRIPTION	DATE	DMN	APVD		
-		SEE SHEET 1	-	-	-		



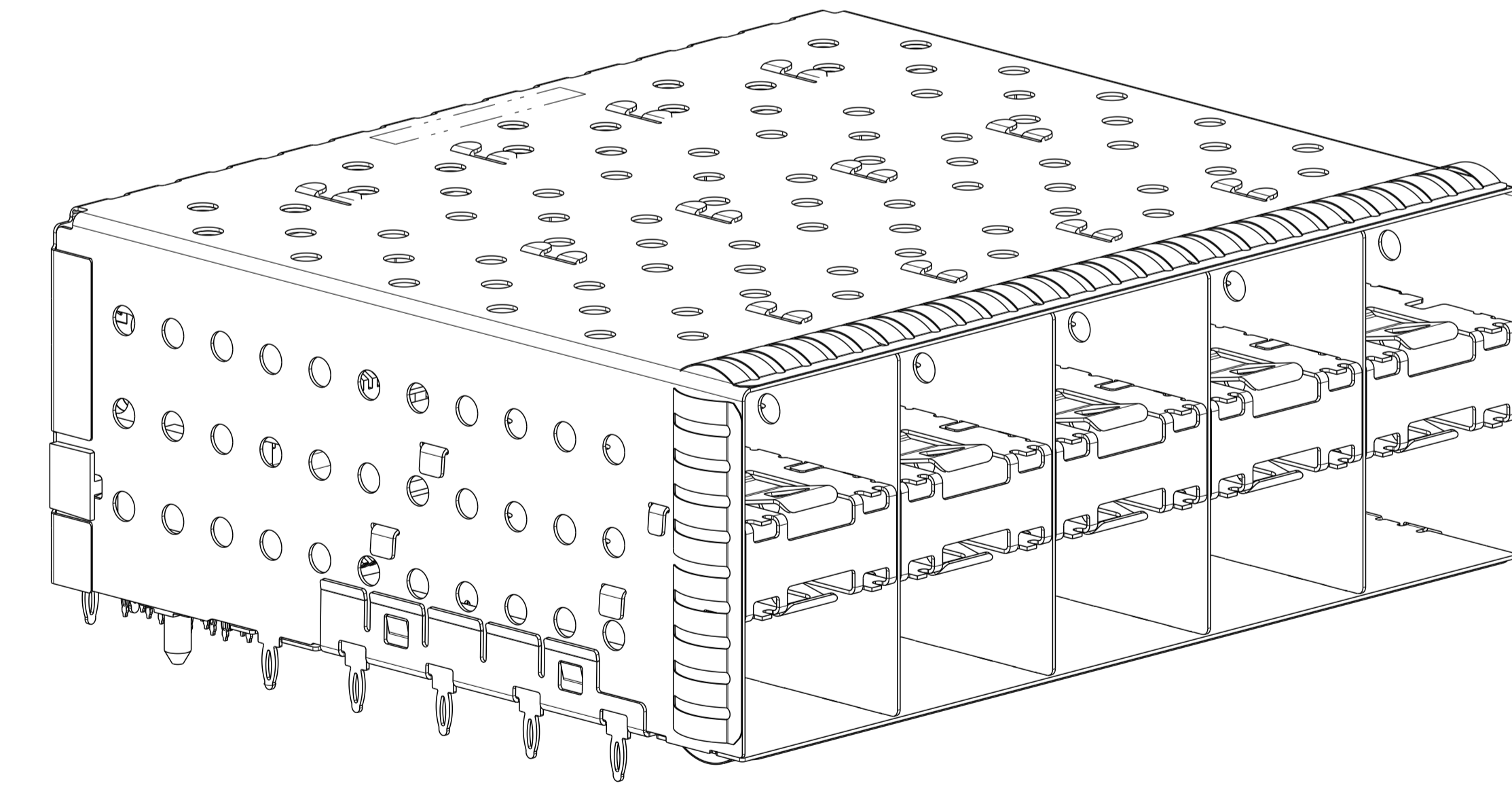
2132403-5 AND 1-2132403-5
 SCALE 3:1



2132403-6 AND 1-2132403-6
 SCALE 3:1



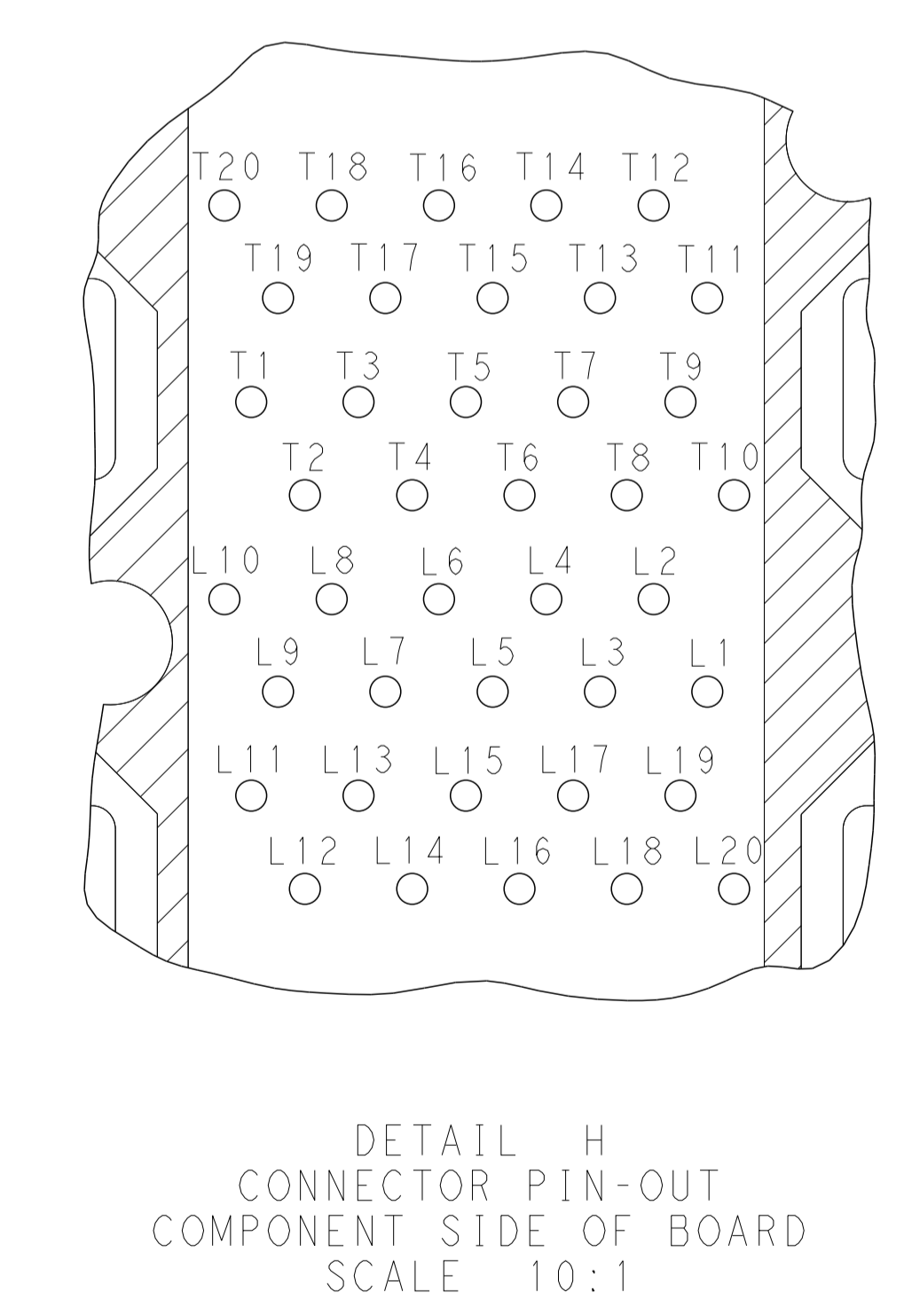
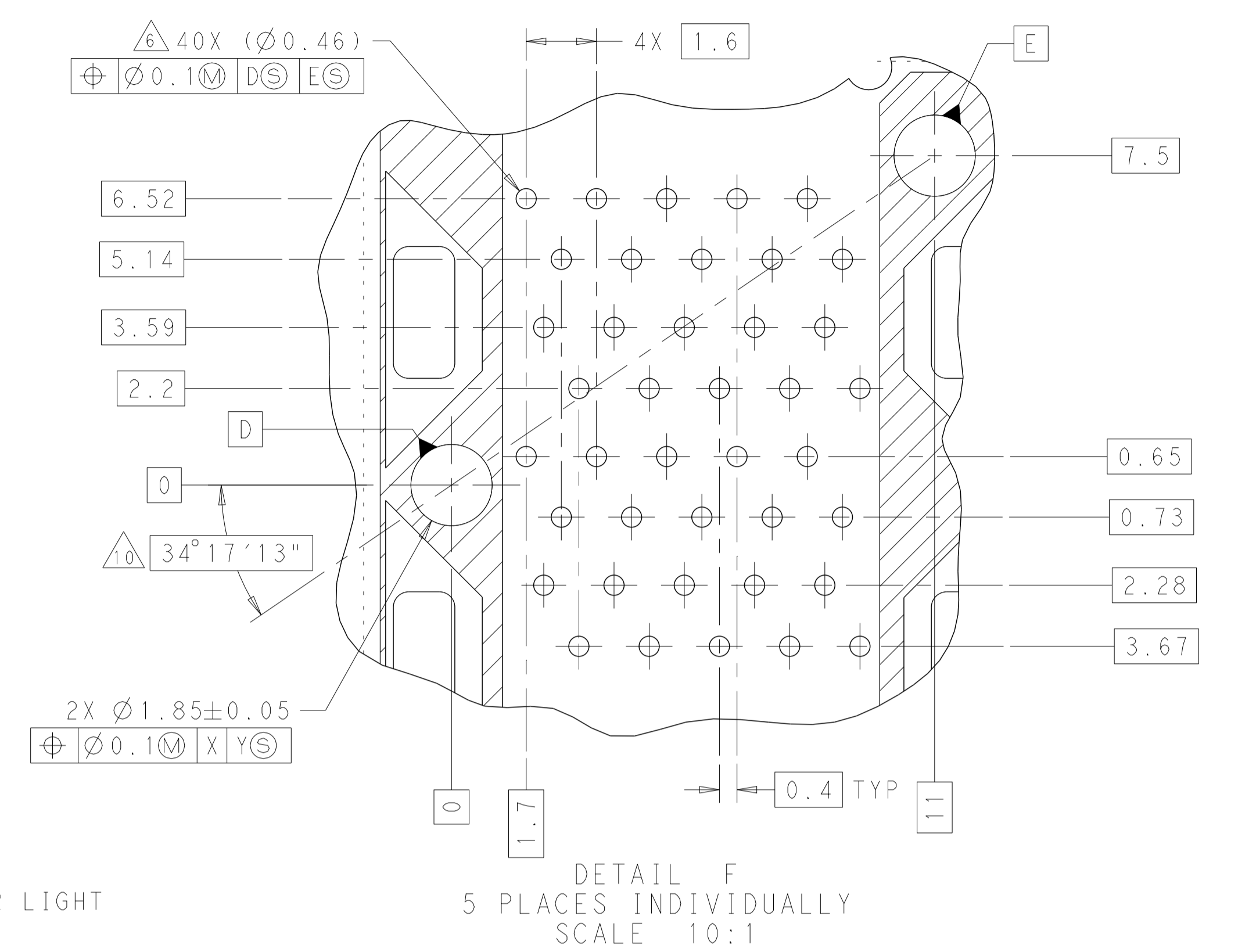
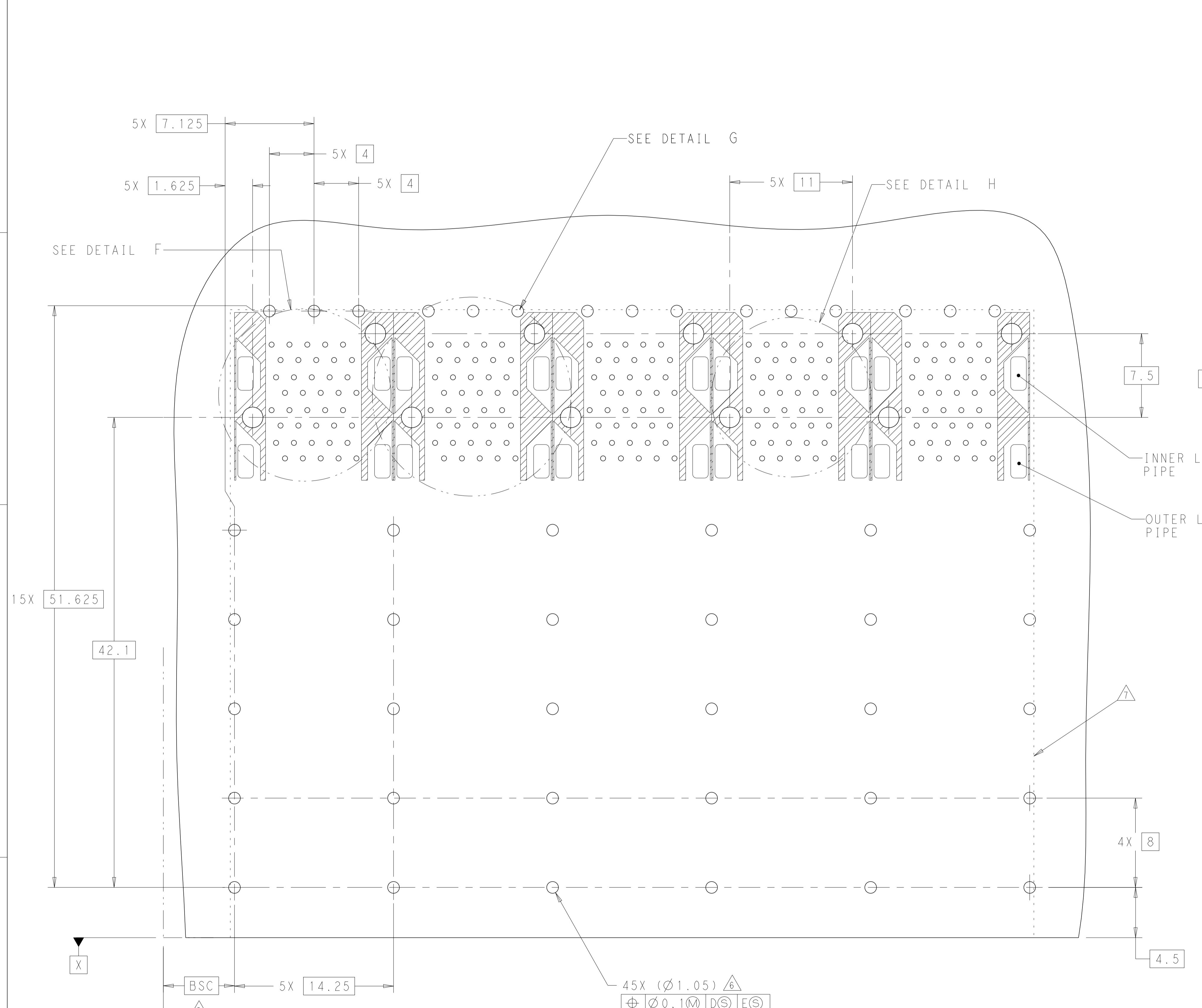
2132403-7 AND 1-2132403-7
 SCALE 3:1



2132403-8 AND 1-2132403-8
 SCALE 3:1

THIS DRAWING IS A CONTROLLED DOCUMENT. DIMENSIONING AND TOLERANCING PER ASME Y14.5M-2009.		DMN C. VALENTINE 06JAN2010	TE Connectivity
DIMENSIONS: mm		CHK J. PETERSON 06JAN2010	
DIMENSIONS: mm 0 PLC ±0.1 1 PLC ±0.1 2 PLC ±0.1 3 PLC ±0.1 4 PLC ±0.1 ANGLES ±° FINISH		APVD J. PETERSON 06JAN2010	NAME CAGE AND PT CONNECTOR ASSEMBLY, WITH EMI SPRINGS, PRESS FIT, 2X5, STACKED SFP+
MATERIAL		PRODUCT SPEC 108-2331	SIZE A100779C=2132403
		APPLICATION SPEC 114-13219	RESTRICTED TO
		WEIGHT	SCALE 4:1 SHEET 2 OF 4 REV B
		CUSTOMER DRAWING	

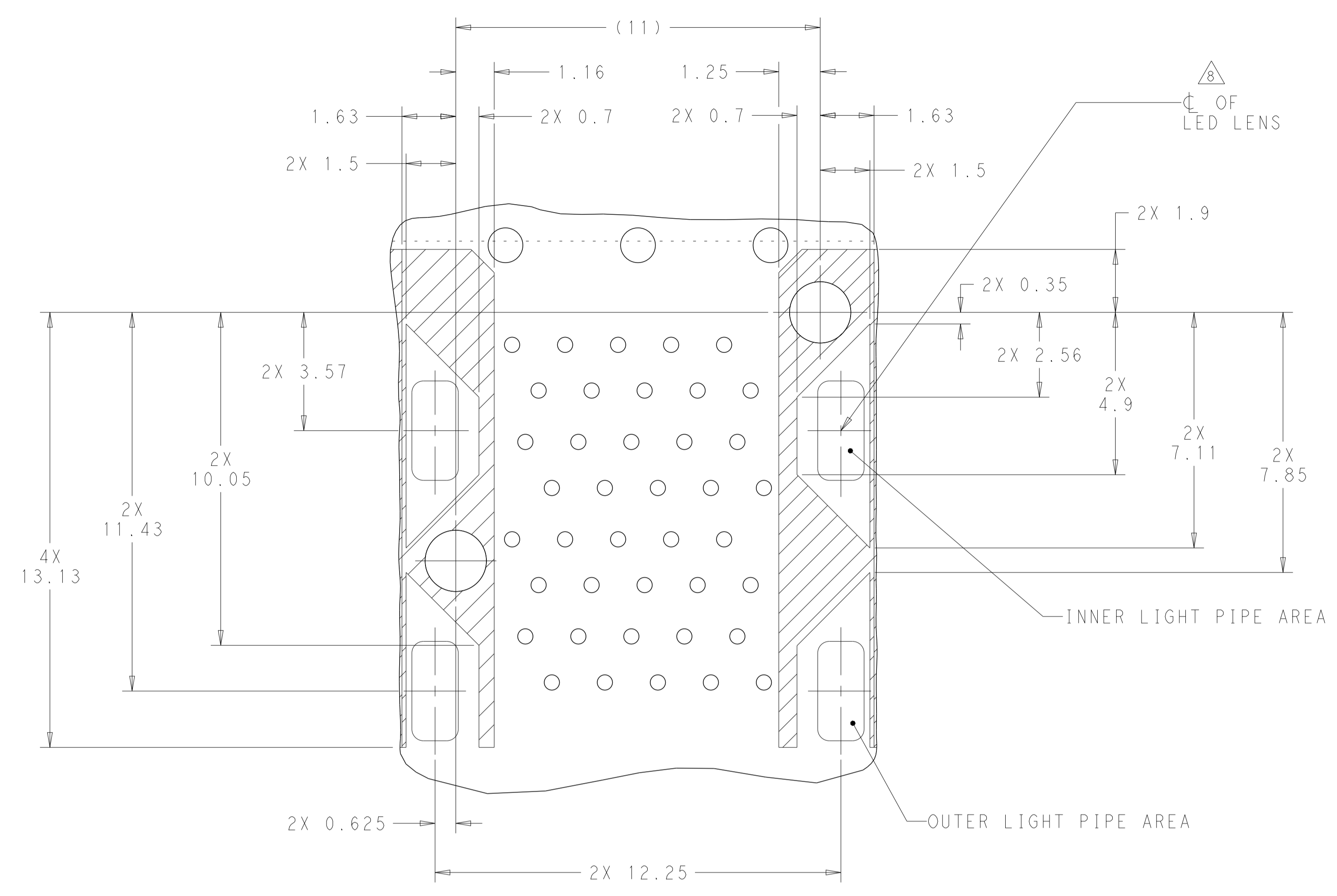
LOC		DIST		REVISIONS			
P	LTN	DESCRIPTION	DATE	DMN	APVD		
-	-	SEE SHEET 1	-	-	-		



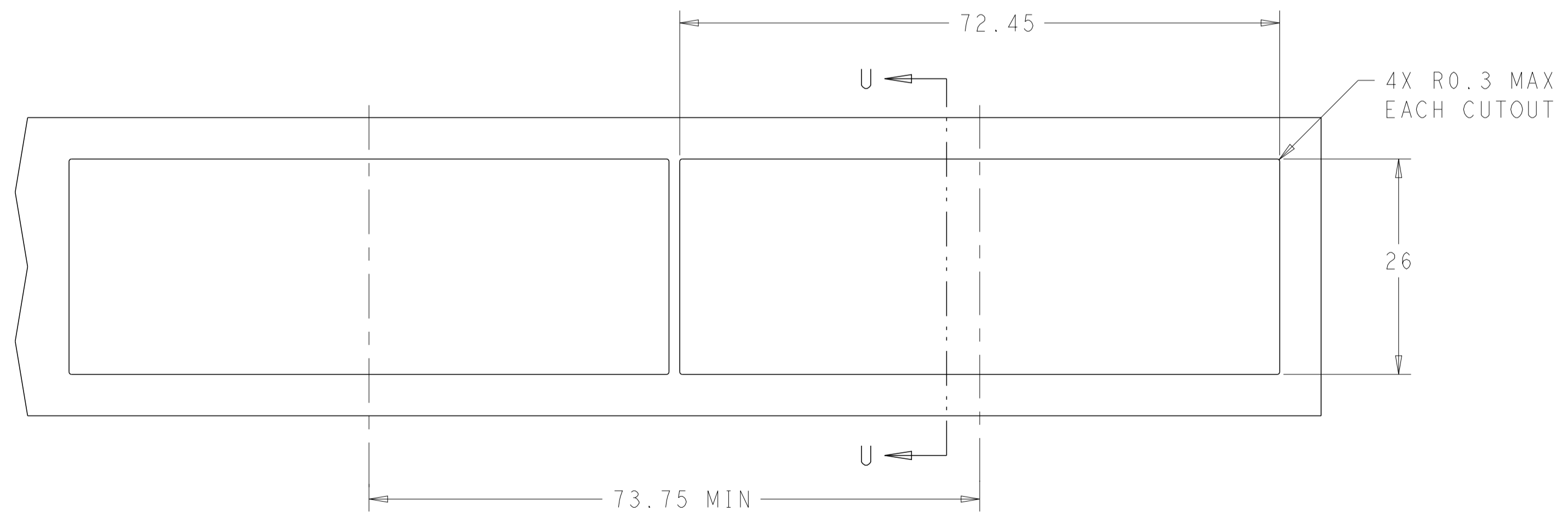
RECOMMENDED PCB LAYOUT
 COMPONENT SIDE OF BOARD
 SCALE 5:1

THIS DRAWING IS A CONTROLLED DOCUMENT. DIMENSIONING AND TOLERANCING PER ASME Y14.5M-2009		DMN C. VALENTINE 06JAN2010 CHK J. PETERSON 06JAN2010 APVD J. PETERSON 06JAN2010	TE Connectivity	
DIMENSIONS: mm	TOLERANCES UNLESS OTHERWISE SPECIFIED:	NAME	CAGE AND PT CONNECTOR ASSEMBLY, WITH EMI SPRINGS, PRESS FIT, 2X5, STACKED SFP+	
0 PLC ±0.1 1 PLC ±0.1 2 PLC ±0.1 3 PLC ± 4 PLC ± ANGLES ±	FINISH	PRODUCT SPEC	SIZE	RESTRICTED TO
MATERIAL	FINISH	APPLICATION SPEC	108-2331	
		114-13219	SIZE CAGE CODE DRAWING NO	A100779C=2132403
		WEIGHT	CUSTOMER DRAWING	SCALE 4:1 SHEET 3 OF 4 REV B

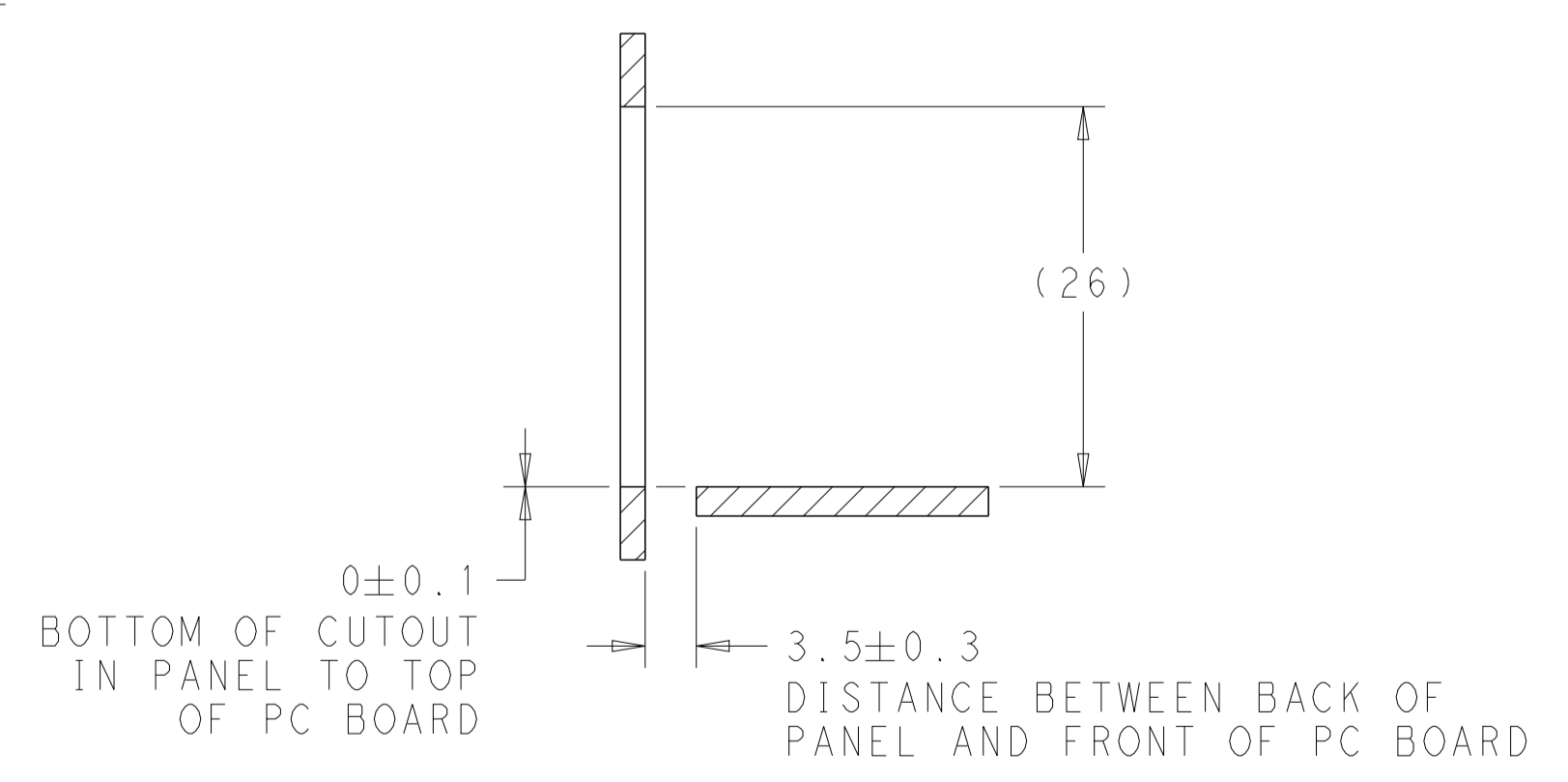
LOC	DIST	REVISIONS			
P	LTN	DESCRIPTION	DATE	DWN	APVD
-	-	SEE SHEET 1	-	-	-



DETAIL G
 CONNECTOR HOUSING
 KEEPOUT ZONE
 SCALE 10:1



RECOMMENDED PANEL CUTOUT
 AND PC BOARD, PANEL POSITION
 SCALE 2:1



SECTION U-U

THIS DRAWING IS A CONTROLLED DOCUMENT. DIMENSIONING AND TOLERANCING PER ASME Y14.5M-2009		DWN C. VALENTINE 06JAN2010	TE Connectivity	
DIMENSIONS: mm		CHK J. PETERSON 06JAN2010	NAME CAGE AND PT CONNECTOR ASSEMBLY, WITH EMI SPRINGS, PRESS FIT, 2X5, STACKED SFP+	
TOLERANCES UNLESS OTHERWISE SPECIFIED:		APVD J. PETERSON 06JAN2010	PRODUCT SPEC 108-2331	
0 PLC ±0.1	1 PLC ±0.1	APPLICATION SPEC 114-13219		
2 PLC ±0.1	3 PLC ±	SIZE A100779C=2132403		
4 PLC ±	ANGLES ±	RESTRICTED TO		
MATERIAL FINISH		WEIGHT	SCALE 4:1 SHEET 4 OF 4 REV B	
CUSTOMER DRAWING		SCALE 4:1 SHEET 4 OF 4 REV B		