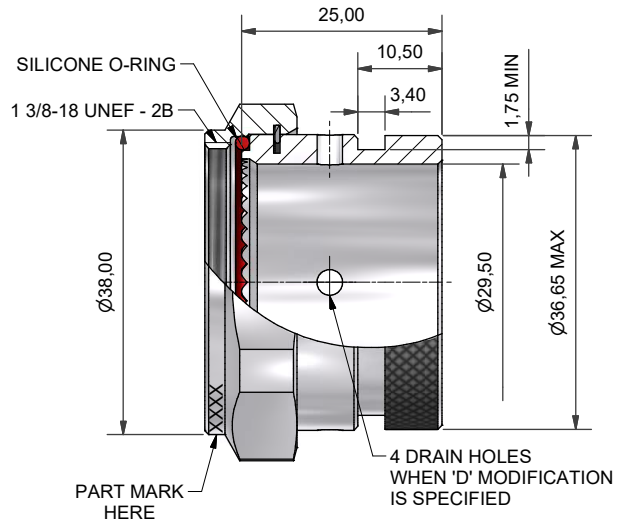
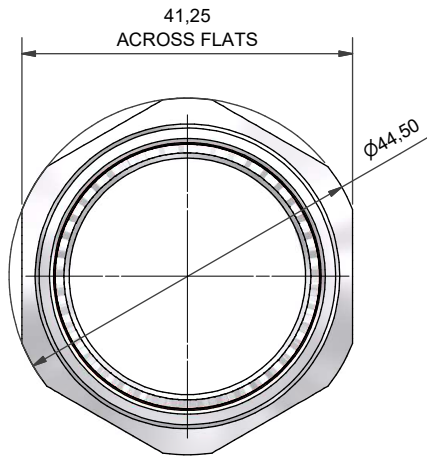


CODE 37 - HEAT SHRINK BOOT BACKSHELL



212M624-19B-D

SERIES _____
 SHELL SIZE _____
 MATERIAL _____
 19 : ALUMINIUM
 FINISH _____
 B : CADMIUM OLIVE DRAB OVER ELECTROLESS NICKEL
 (500 HOUR SALT SPRAY FINISH)
 (SEE S-CH00-0157-002 FOR ADDITIONAL FINISHES)
 DRAIN HOLE DESIGNATION _____
 (OMIT FOR NOT REQUIRED)

NOTES:

1. THIS PRODUCT IS DESIGNED TO TERMINATE A HEAT SHRINKABLE LIPPED BOOT TO A CONNECTOR.
2. FOR ADDITIONAL DIMENSIONS, ORDERING INFORMATION AND MODIFICATIONS, SEE CH00-0250-004 FOR AN SCD AND CH00-0250-010 FOR AN MSCD
3. BACKSHELL TO BE PERMANENTLY MARKED/BAGGED AND LABELLED WITH CODE IDENTIFICATION NUMBER AND PART NUMBER. (e.g. 06090-212M624-19B).
4. SHELL SIZE 24 ONLY FOR TRIDENT G & H 306453-8B CONNECTOR.

DRAWN	W.RUST	DATE	09/09/2015	<p>3RD ANGLE PROJECTION NOT TO SCALE</p>	TITLE: HEAT SHRINK BOOT BACKSHELL	<p>Polamco</p>		
CHECKED		09/09/2015						
APPROVED	K.SHEPPARD	10/09/2015	UNLESS OTHERWISE SPECIFIED ALL DIMENSIONS IN MILLIMETRES GENERAL TOL LINEAR +/-0.25MM ANGULAR +/- 1°					
APPROVED	H.SMITH	26/10/2015						
ASSY USED ON: TRIDENT G & H 306453-8B						<p>TE connectivity</p>		
REVISIONS								
LTR	DESCRIPTION	DATE	APPROVED					
C	REVISED PER ECO-AP-229	12/02/88	Q.BUI					
D	REVISED PER ECO-15-015326	26/10/2015	H.SMITH					
TE CAGE CODE: 06090 POLAMCO/TE CAGE CODE: U5792						DRAWING NO: 212M624	DRAWING REV: D	SHT 1
TE CONNECTIVITY - POLAMCO LTD RESERVES THE RIGHT TO AMEND THIS DRAWING AND THE INFORMATION SET FORTH HEREON AT ANY TIME. USERS SHOULD INDEPENDENTLY EVALUATE THE SUITABILITY OF THE PRODUCT FOR THEIR APPLICATION.								