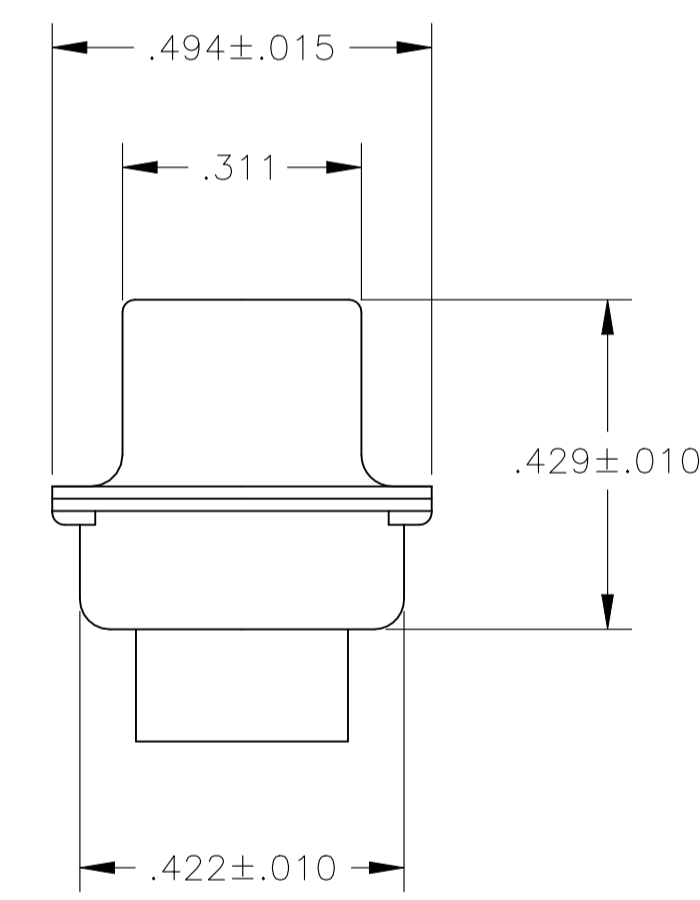
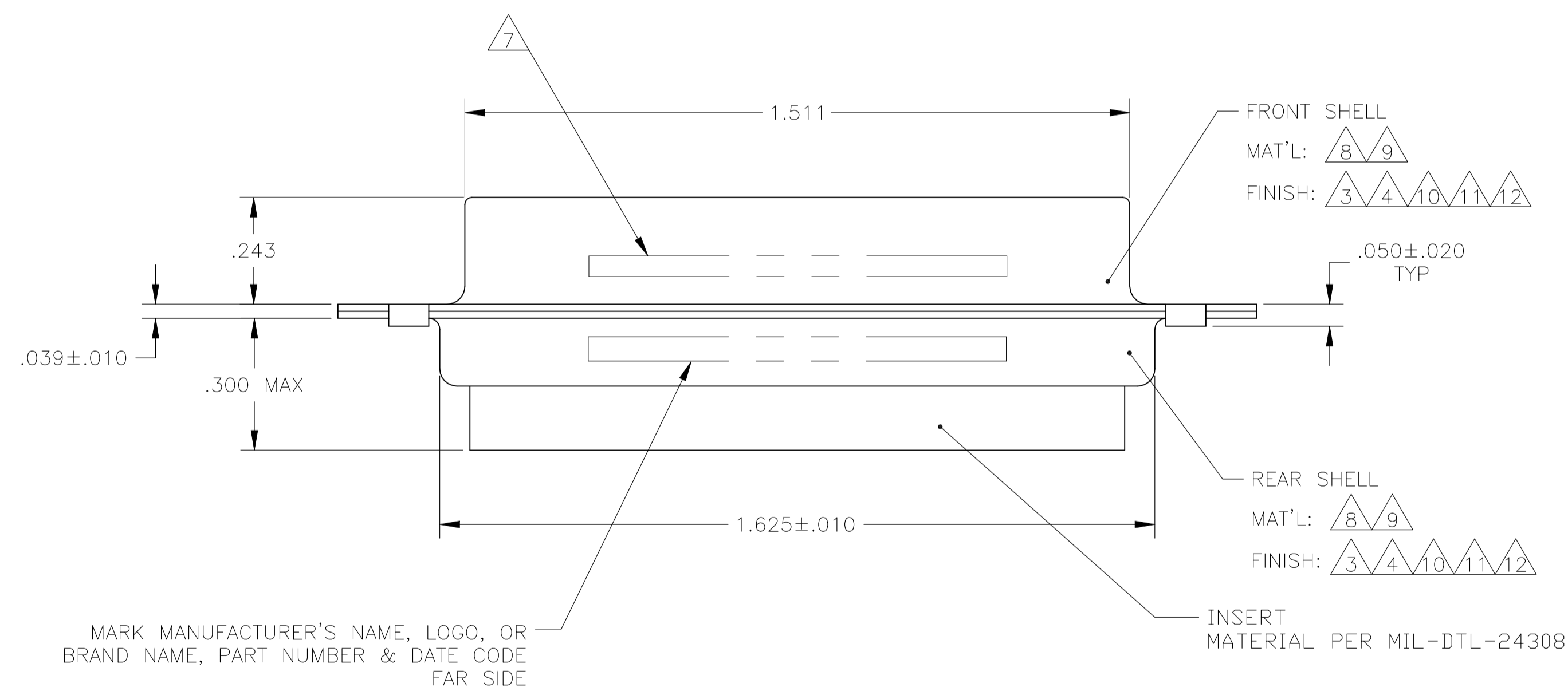
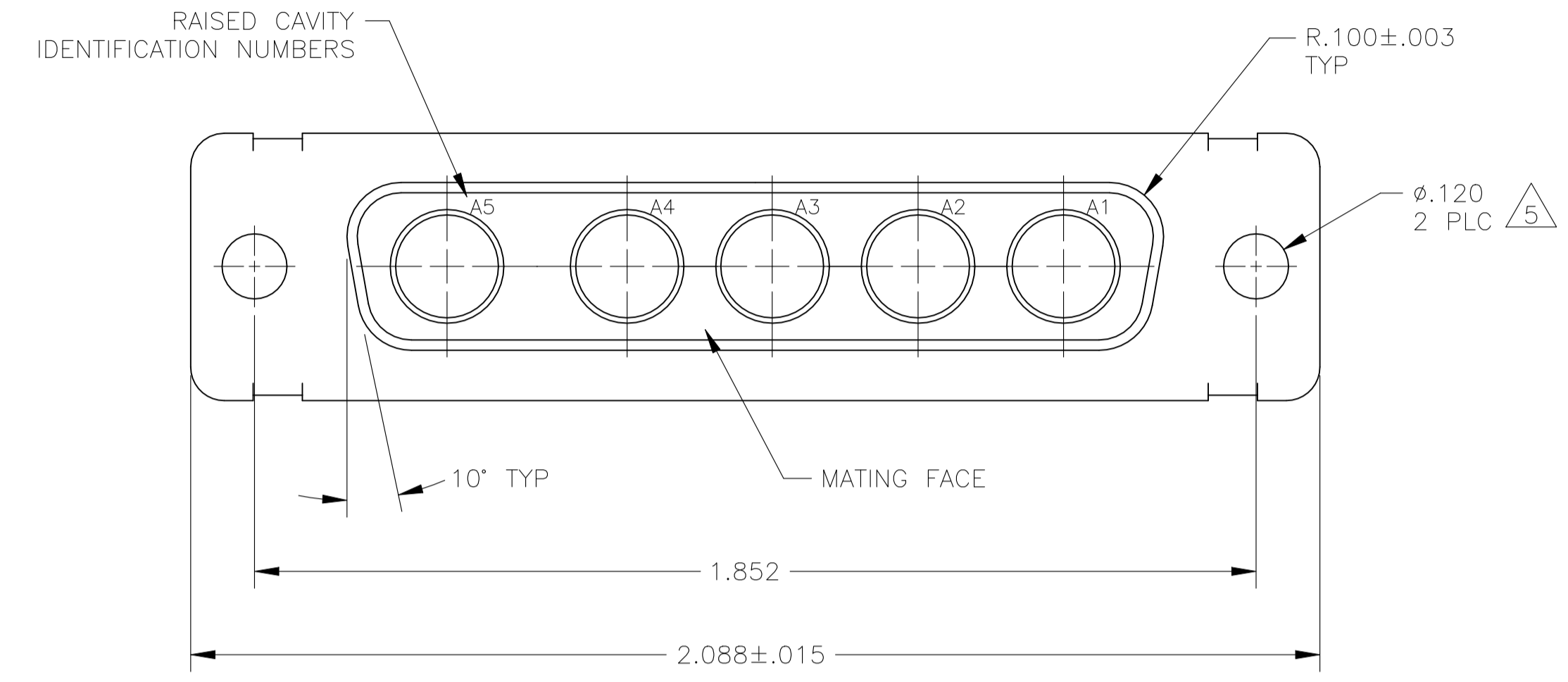


REVISIONS				
P	LTR	DESCRIPTION	DATE	APP'D
AL		REVISED PER ECN-24-271615	19JUN2024	PE DS

- THIS RECEPTACLE WILL MATE WITH ANY 5C5, SIZE 3 PLUG IN AMPLIMITE SERIES.
- USE (5) POWER 8, OR COAX SOCKET CONTACTS. CONSULT PRODUCT ENGINEERING FOR MORE DETAILS.
- CADMIUM PER QQ-P-416.
- FINISH: TIN PER ASTM-B-545 .000200 MIN THK OVER COPPER PER AMS2418 .000100-.000200 THK.
- ALL EXCEPT FOR 212059-5 AND 212059-6.
- 4-40 UNC-3B CLINCH NUT, 2 REQ'D.
- CUSTOMER PART NO. MARKED FAR SIDE.
- STEEL PER ASTM-A-109.
- BRASS PER ASTM-B-36.
- GOLD PLATED PER MIL-G-45204 OVER COPPER PER AMS2418.
- FINISH: TIN PER ASTM-B-545 .000400 MIN THK OVER COPPER PER AMS2418 .000050 MIN THK.
- ZINC PLATE PER ASTM-B-633, .000200-.000400 THK WITH SUPPLEMENTARY CHROMATE (Cr3+)



CLINCH NUT #4-40UNC
2 REQ'D
MAT'L: CARBON STEEL
FINISH: PLATED ZINC
YELLOW CHROMATE
212059-5 ONLY

5-212059-5 OBSOLETE	-	5, 6, 8, 11	5-212059-5
	-	8, 12	5-212059-1
	B010942-0008	7, 9, 10	1-212059-3
	B010942-0007	7, 9, 10	1-212059-1
1-212059-0 OBSOLETE	-	8, 11	1-212059-0
	-	8, 11	212059-9
212059-8 OBSOLETE	-	-	212059-8
	B010942-0016	7, 9, 10	212059-7
	311P405-10S-B-15	7, 9, 10	212059-6
212059-5 OBSOLETE	-	4, 5, 6, 8	212059-5
212059-4 OBSOLETE	97942-645A935H01	3, 7, 8	212059-4
	-	4, 8	212059-3
212059-2 OBSOLETE	311P405-10S-B-12	7, 9, 10	212059-2
	-	3, 8	212059-1
	CUSTOMER PART NO	REMARKS	PART NO.

WARNING - THIS DOCUMENT CONTAINS TECHNOLOGY WHOSE EXPORT IS RESTRICTED BY THE EXPORT ADMINISTRATION REGULATIONS ("EAR") PURSUANT TO 15 C.F.R. PARTS 730-774. VIOLATIONS OF THE EAR ARE SUBJECT TO SEVERE CRIMINAL PENALTIES UNDER THE EXPORT CONTROL REFORM ACT, AS AMENDED (TITLE 50, U.S.C., SEC. 4801, ET SEQ.).

THIS DRAWING IS A CONTROLLED DOCUMENT.

DIMENSIONS: INCHES	TOLERANCES UNLESS OTHERWISE SPECIFIED:	DIN T. SHUEY 14JAN88	CHK A. EMADI 26JAN88	APPROVED A. EMADI 26JAN88	NAME	
0 PLC ± -	1 PLC ± -	2 PLC ± -	3 PLC ± .005	4 PLC ± -	ANGLES ± 0°30'	
MATERIAL	FINISH	WEIGHT	SIZE	CAGE CODE	DRAWING NO	RESTRICTED TO
-	-	-	A1	00779	212059	-
CUSTOMER DRAWING		SCALE 4:1	SHEET 1 of 1	REV AL		

STE TE Connectivity

RECEPTACLE ASSEMBLY
AMPLIMITE 5C5
SERIES 109, SIZE 3, COAX MIX