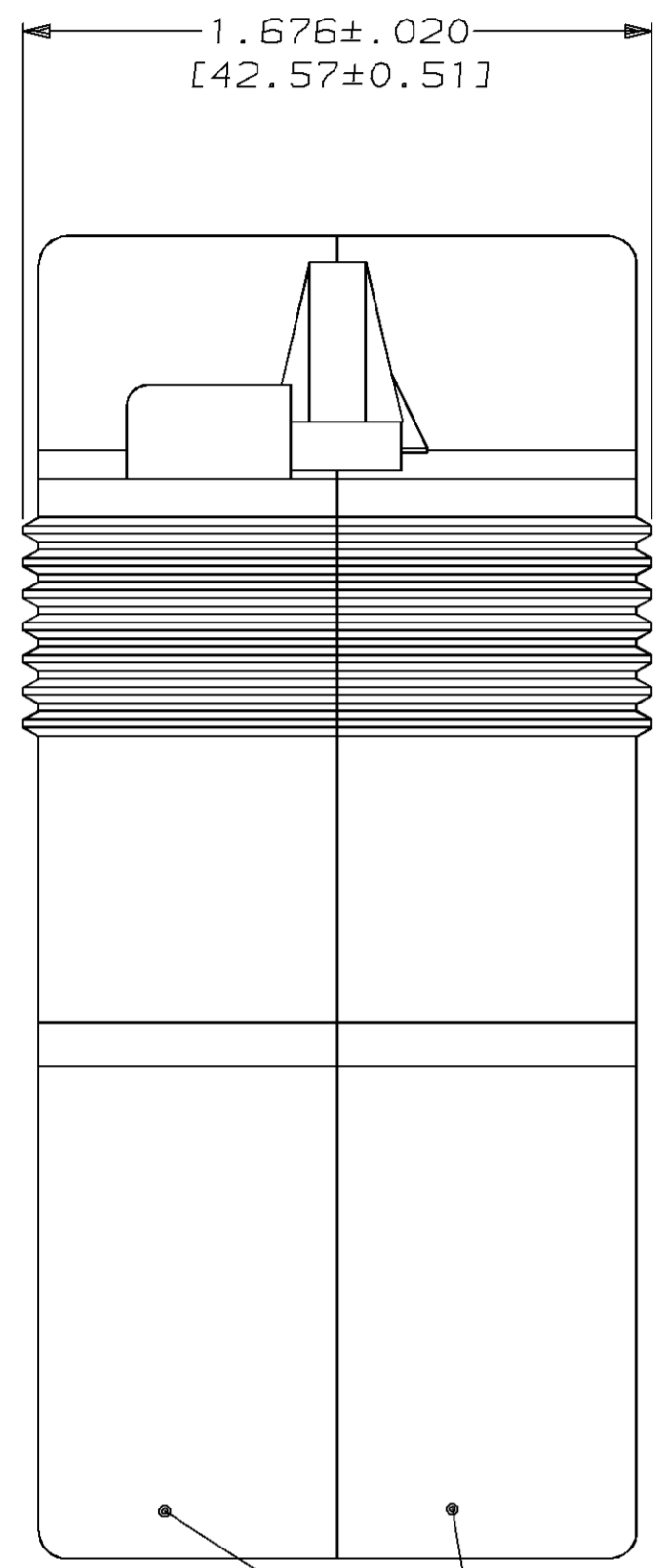
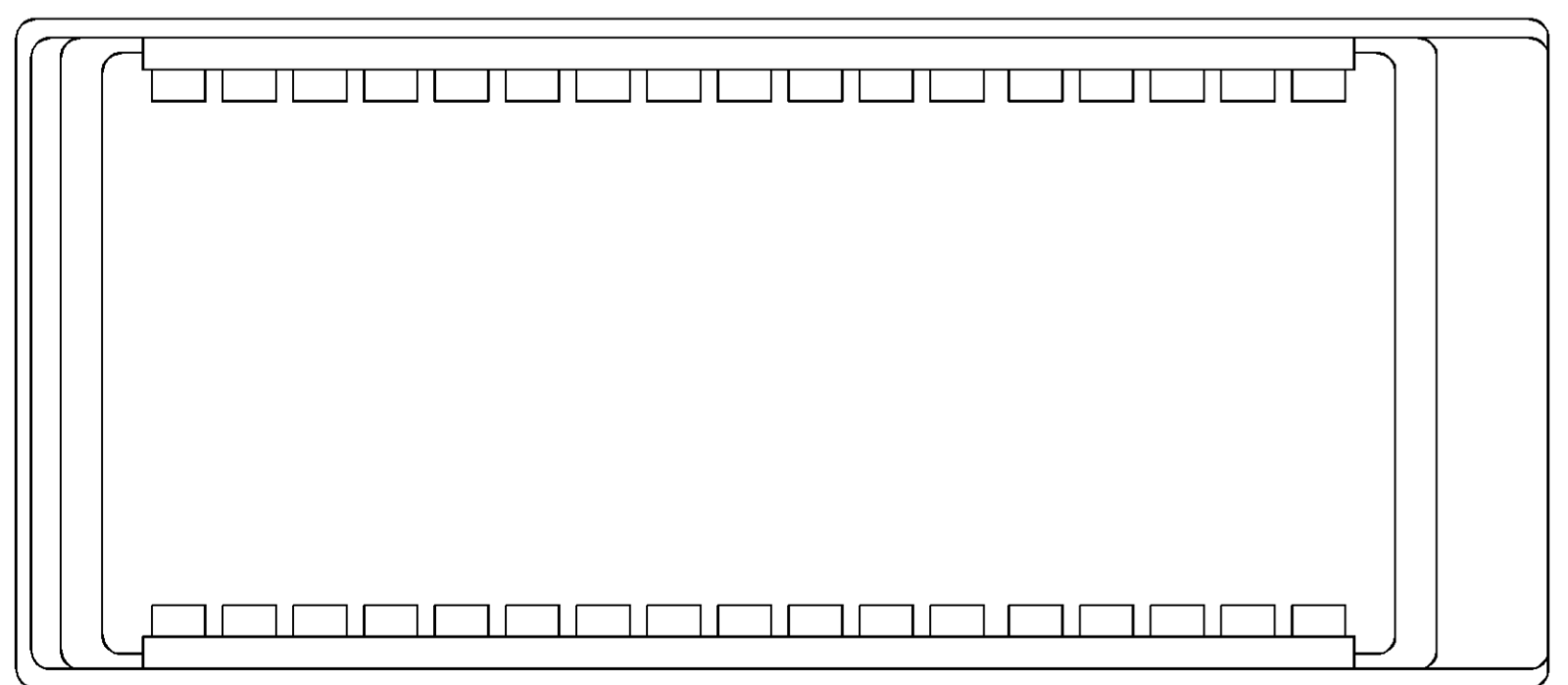


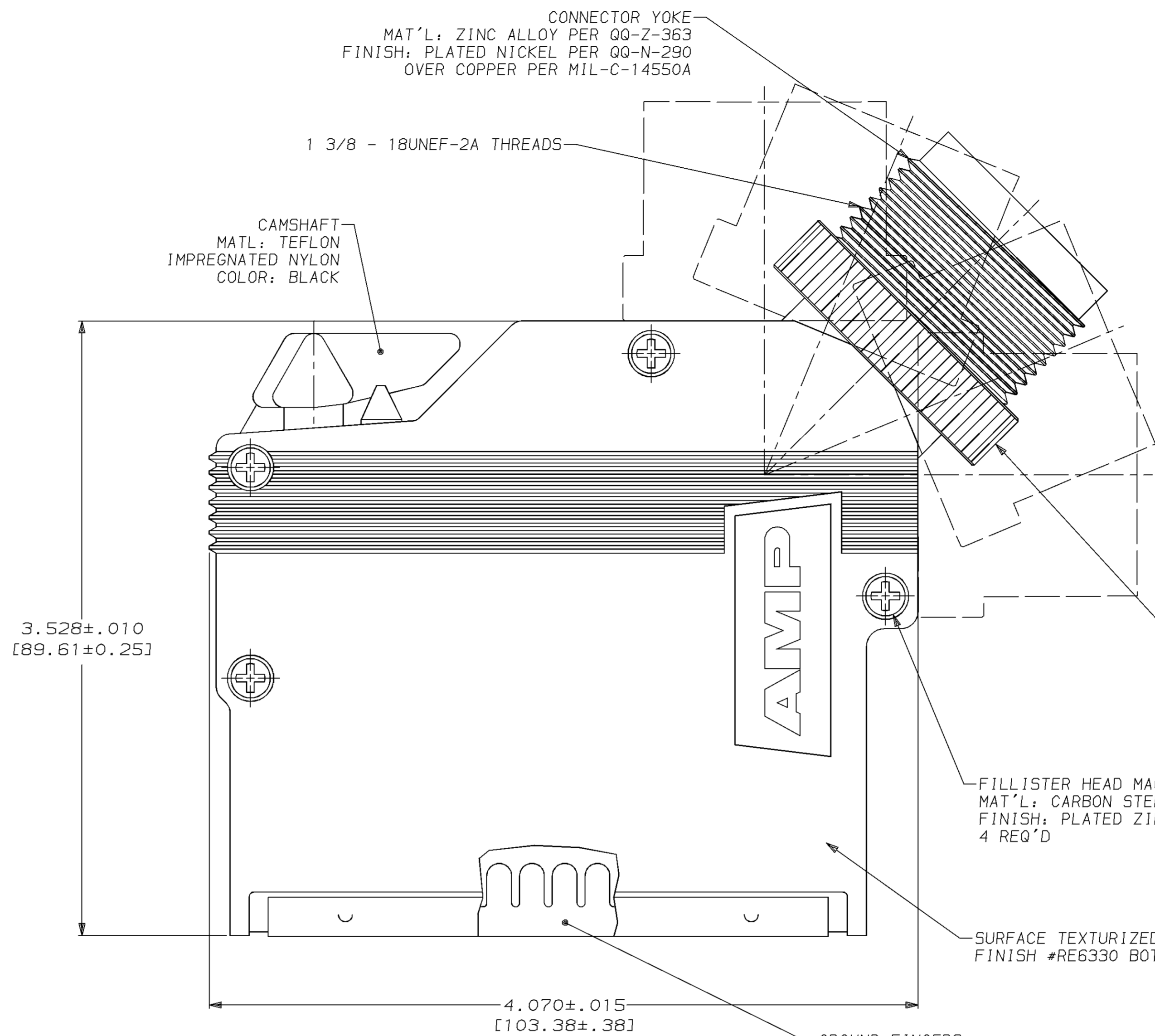
PROD		LOC	DIST	REVISIONS				DATE	APPD
5088	DF	EO	P	F	ZONE	LTR	DESCRIPTION		
						E	REV PER 0600-2045-94	TT	06-20-94 DBM



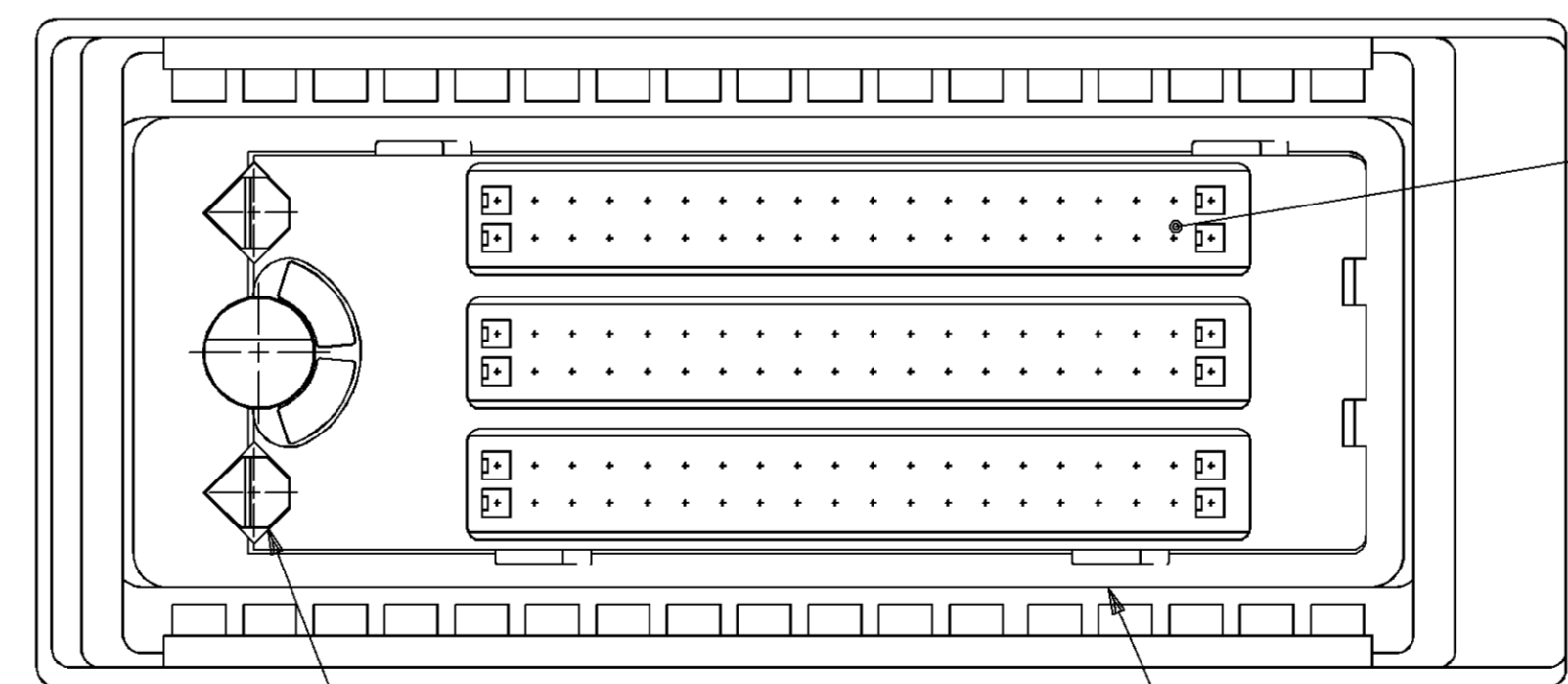
LEFT AND RIGHT STRAIN RELIEF HALVES
 MAT'L: ZINC ALLOY PER QQ-Z-363
 FINISH: PLATED NICKEL PER QQ-N-290 OVER COPPER PER MIL-C-14550A



-1 AND -2 ONLY



- PARTS COME UNASSEMBLED.
- MAX CABLE DIA THAT CAN EXIT THE YOKE IS .980.
- INCLUDES KEY, PLUG HOUSING KIT AND 40 POSN CRIMP SNAP MODULES.
- AMP LOGO IN PLACE OF DIGITAL LOGO.



-3 ONLY

	SAME AS -2 EXCEPT Δ	211679-3
	SAME AS -1 EXCEPT Δ	211679-2
OBS	AS SHOWN	211679-1
	DESCRIPTION	PART NUMBER

DO NOT SCALE PRINT. UNLESS SPECIFIED DIMENSIONS IN mm [INCHES] TOLERANCES ON:	DR 06-22-94 T. THOMPSON
2 PLC DEC ± -	CHK 06-22-94 D. MUMMEY
3 PLC DEC ± -	APPD 06-22-94 D. MUMMEY
ANGLES ± -	APPD 06-22-94 T. THOMPSON
MATERIAL	PRODUCT SPEC
SEE CALLOUTS	-
FINISH	APPLICATION SPEC
SEE CALLOUTS	-
WEIGHT	-

AMP Incorporated Harrisburg, PA 17105-3608		
NAME		
PLUG ASSEMBLY, CR SERIES, 120 POSN, W/STRAIN RELIEF		
SIZE	CAGE CODE	DRAWING NO
D	00779	©- 211679
SCALE	2:1	SHEET 1 OF 1

THIS DRAWING IS A CONTROLLED DOCUMENT FOR AMP INCORPORATED. IT IS SUBJECT TO CHANGE AND THE CONTROLLING ENGINEERING ORGANIZATION SHOULD BE CONTACTED FOR THE LATEST REVISION.