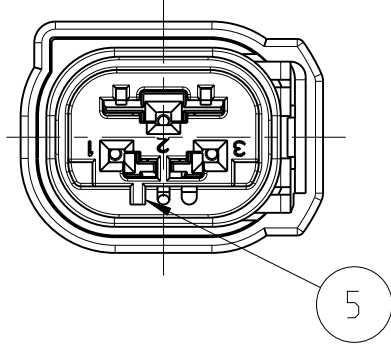
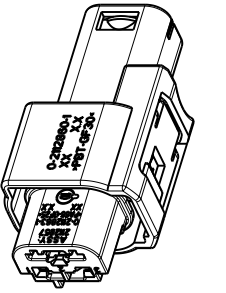
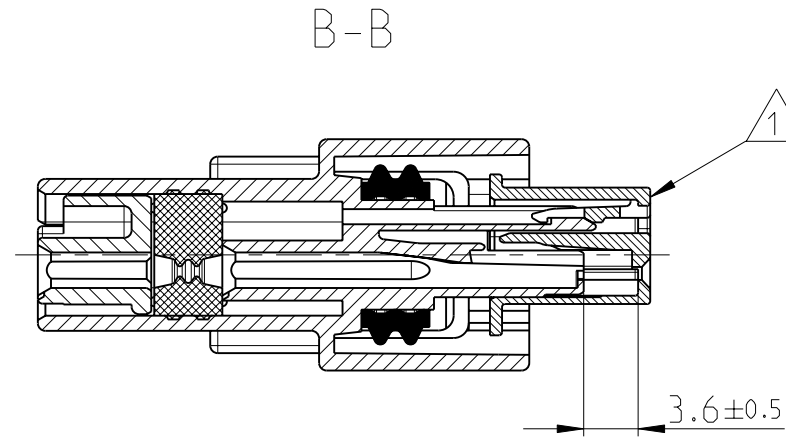
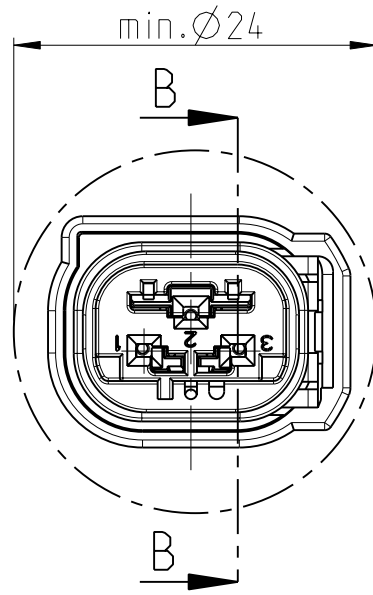
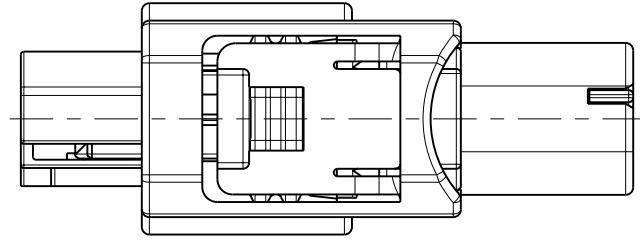


LOC	DIST	REVISIONS					
		P	LTR	DESCRIPTION	DATE	DWN	APVD
A1	-	B1		ECR-11-013532	29JUN2011	GP	GM
		B2		ECR-11-025538	19DEC2011	MS	KR
		B3		ECR-12-000483	10JAN2012	GP	GM

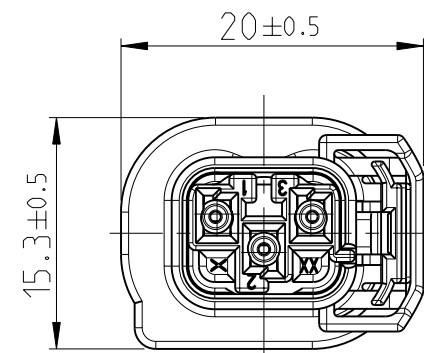
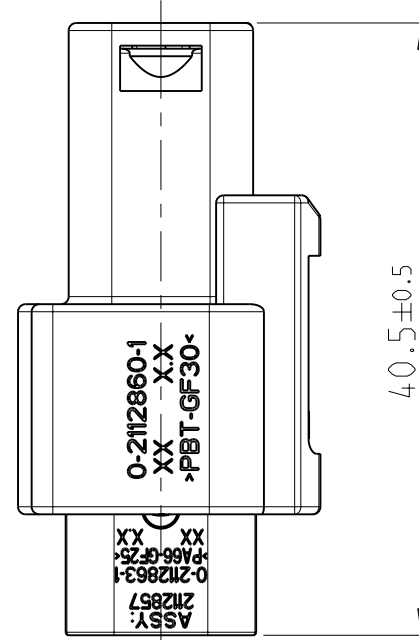
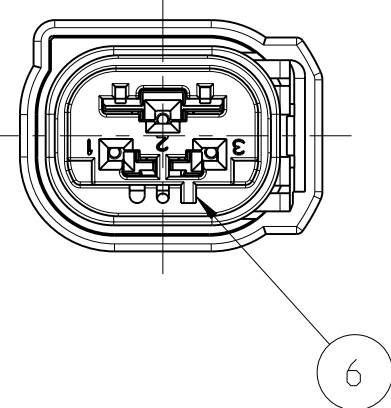
0-2112857-1
CODING A
COLOUR: BLACK



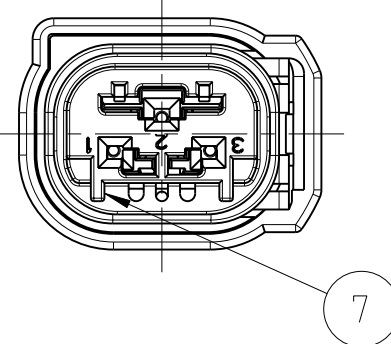
0-2112857-1
CODING A



0-2112858-1
CODING B
COLOUR: GREY

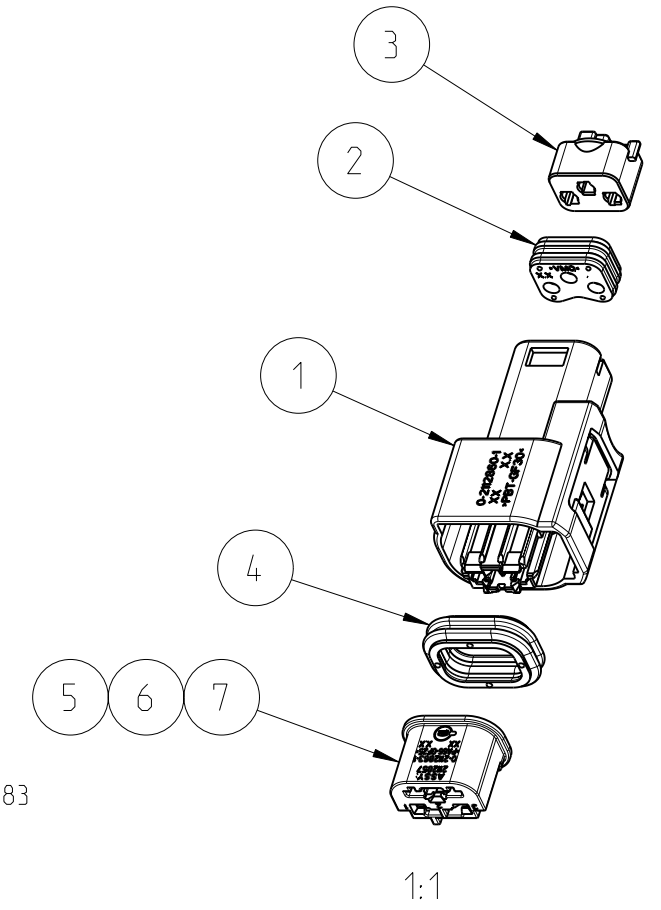


0-2112859-1
CODING E
COLOUR: BROWN



NOTES:
 Bemerkungen:

- 1 DELIVERY CONDITION: SPACER IN PRELOCK POSITION
 Auslieferungszustand: Spacer in Vorraststellung
- 2 PART MUST MATE WITH TE CONNECTIVITY INTERFACE NO. 114-18063-123
 Teil passend zu TE Connectivity Schnittstelle Nr. 114-18063-123.
- 3 FEED THROUGH CONDITION I.E MIN HOLE SIZE TO GIVE 1mm TOTAL CLEARANCE
 ACROSS THE MAXIMUM DIAMETER
 Lochgroesse zum Durchstecken des Steckers beruecksichtigt 1mm Abstand umlaufend.
- 4 EXTRACTION TOOL IS ACCORDING TE CONNECTIVITY APPLICATION SPECIFICATION 114-13183
 Entriegelungswerkzeug nach TE Connectivity Anwendungs-Spezifikation 114-13183.
- 5 SEALING FUNCTION REQUIRES ONLY FOLLOWING
 WIRE SIZE DIAMETERS FOR TERMINALS:
 0.35 - 0.75mm² WITH CABLE OD Ø1.2-1.9mm
 Um die Dichtigkeit des Steckers zu gewaehrleisten duerfen nur
 Kontakte mit 0.35 - 0.75mm² Kabel. Aussendurchmesser Ø1.2-1.9mm
 eingesetzt werden.
- 6 PART TESTED ACC. TEMP CLASS 3 (USCAR 2 REV 5)
 Teil getestet nach Temperaturklasse 3 (USCAR 2 REV 5)
- 7 TRAY PACKING
 Kunststoffraeagerverpackung

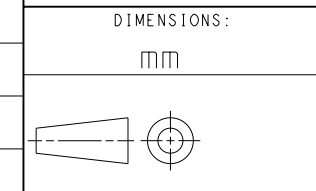


*V MAX TEMPERATURE = MAX TEMPERATURE RISE + MAX ENVIRONMENTAL TEMPERATURE

APPLICABLE COMPONENTS

DESCRIPTION	COLOR/PLATING	FORD COMP. PART NO.	TE CONNECTIVITY COMP. PART NO.	*V MAX TEMP.	MAT'L/SPEC.
GENERATION Y FEMALE TERMINAL(0.35-0.5mm ²)	TIN PLATE	8U5T-14474-BA	0-1456841-1	105 °C	SEE TERMINAL DRAWING
GENERATION Y FEMALE TERMINAL(0.75mm ²)	TIN PLATE	8U5T-14474-CA	0-1456841-2	105 °C	SEE TERMINAL DRAWING
GENERATION Y FEMALE TERMINAL(0.35-0.5mm ²)	SILVER PLATE	BU5T-14474-AA	0-1456968-1	150 °C	SEE TERMINAL DRAWING
GENERATION Y FEMALE TERMINAL(0.75mm ²)	SILVER PLATE	BU5T-14474-BA	0-1456968-2	150 °C	SEE TERMINAL DRAWING
GENERATION Y FEMALE TERMINAL(0.75mm ²)	TIN	CU5T-14474-DA	0-2098753-6	125 °C	SEE TERMINAL DRAWING
GENERATION Y FEMALE TERMINAL(0.35-0.5mm ²)	TIN	CU5T-14474-EA	0-2098753-5	125 °C	SEE TERMINAL DRAWING

THIS DRAWING IS A CONTROLLED DOCUMENT.



DIMENSIONS:	TOLERANCES UNLESS OTHERWISE SPECIFIED:
mm	
0 PLC	±0.50
1 PLC	±0.50
2 PLC	±0.30
3 PLC	±
4 PLC	±
ANGLES	±°
FINISH	

DWN	G.PUCKEL	13APR2010
CHK	K.ROTH	13APR2010
APVD	G.MUMPER	14APR2010
PRODUCT SPEC		
APPLICATION SPEC	114-13183	
WEIGHT	-	
CUSTOMER DRAWING		

TE Connectivity			
NAME	SIZE	CAGE CODE	DRAWING NO
3 POS. RECEPTACLE HOUSING, ASSY 3 x GENERATION Y	A2	00779	C-2112857
RESTRICTED TO			
SCALE	2:1	SHEET	1 OF 1
REV	B3		