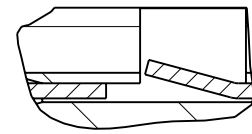


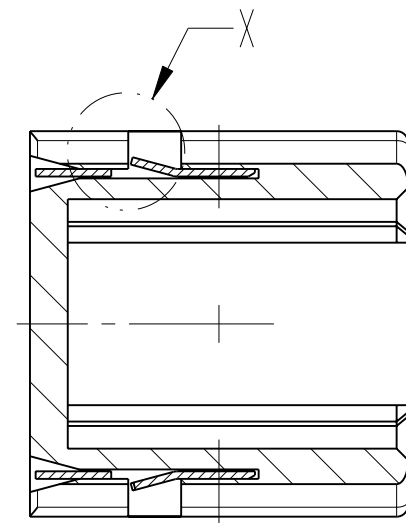
THIS DRAWING IS UNPUBLISHED. RELEASED FOR PUBLICATION 2009
 © COPYRIGHT 2009 BY TYCO ELECTRONICS CORPORATION. ALL INTERNATIONAL RIGHTS RESERVED.

LOC		DIST		REVISIONS			
P	LTR	DESCRIPTION	DATE	DWN	APVD		
A2		New Drawing	20APR2010	TS	BF		

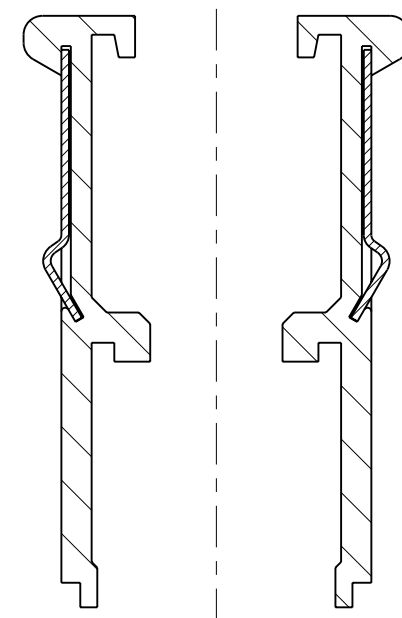
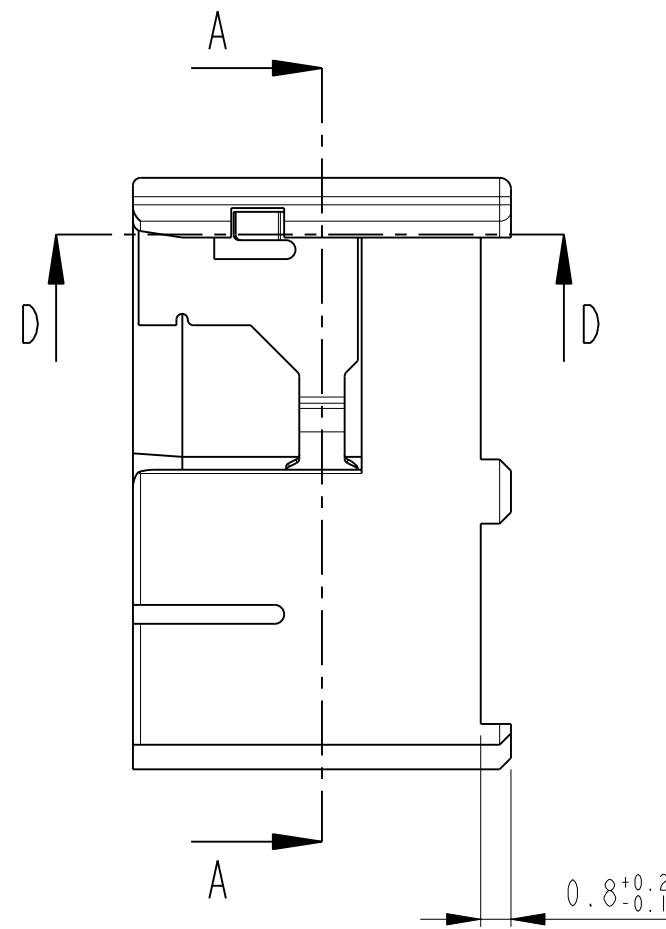
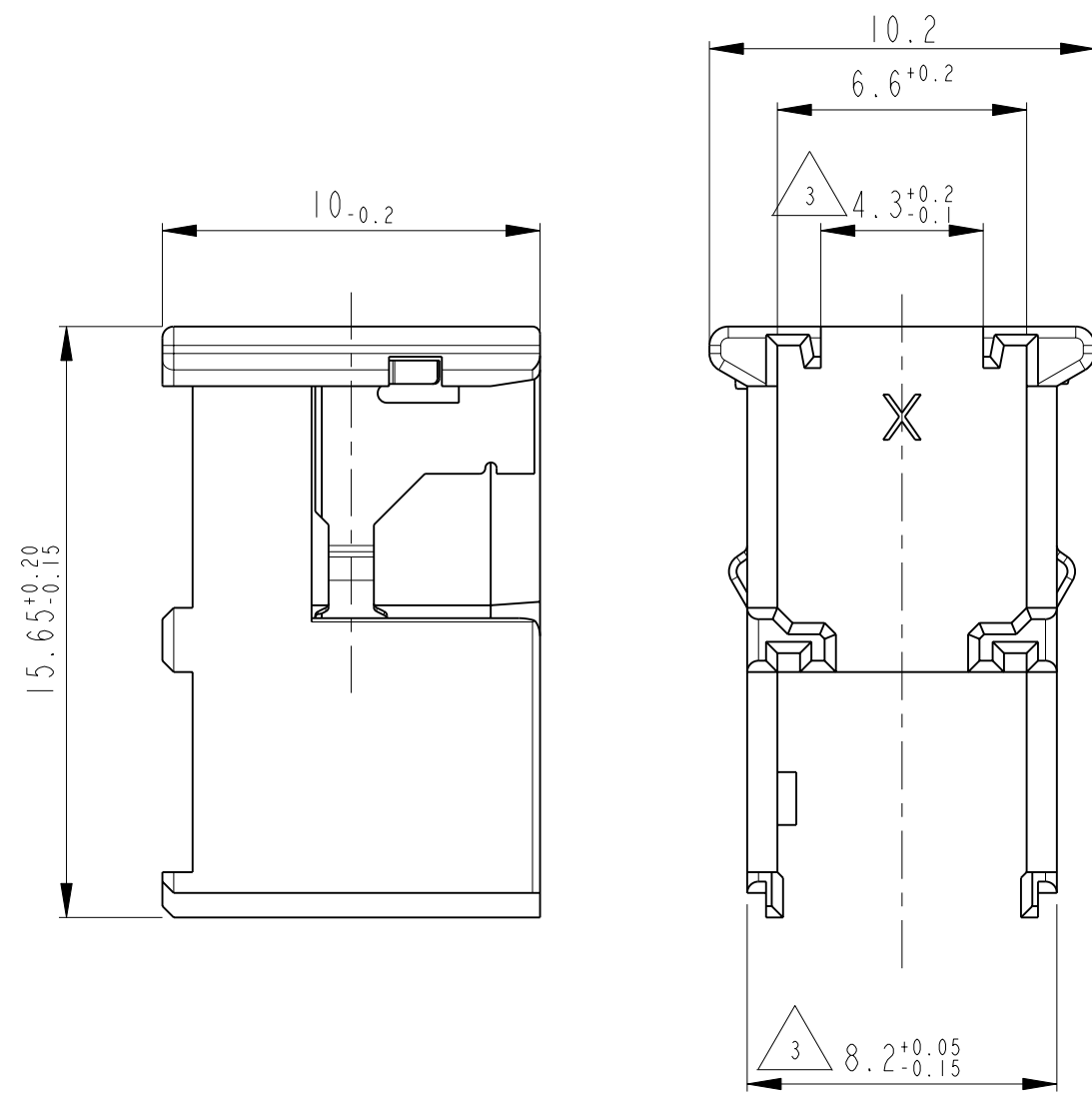
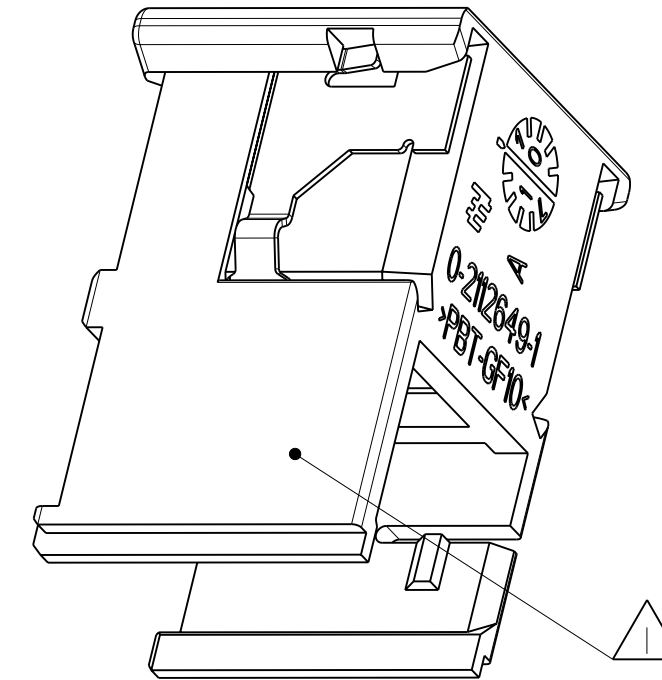
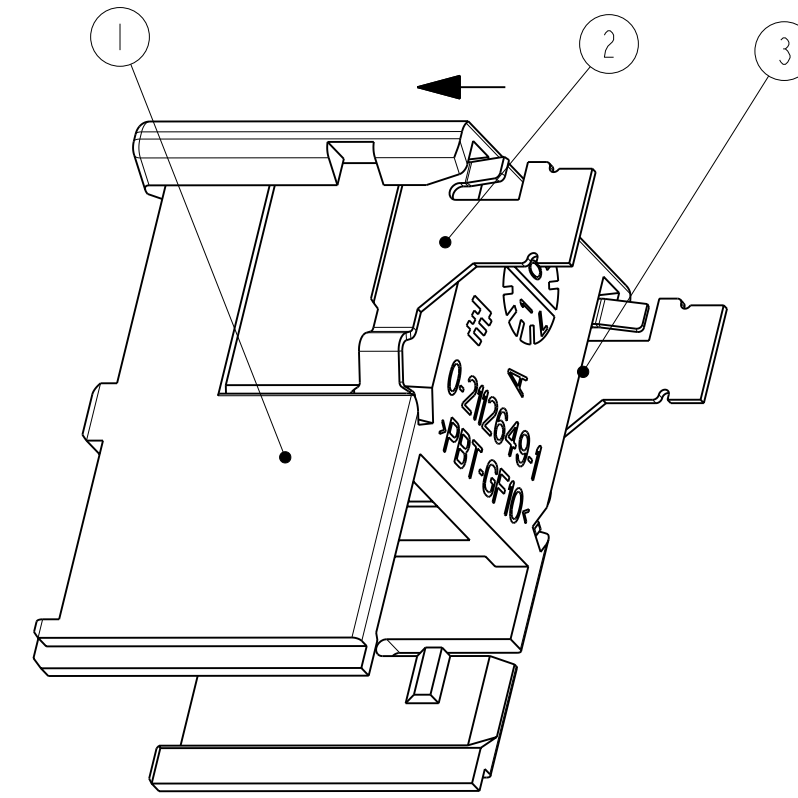
Auf Verrastung achten
 ATTENTION FOR LOCKING DEVICE



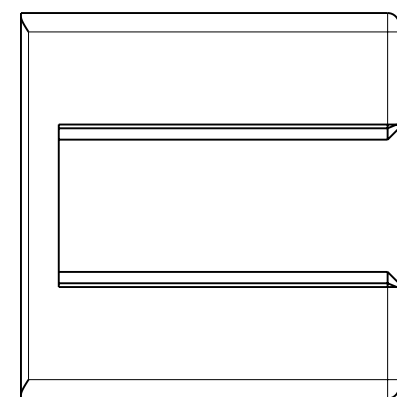
X
 10:1



D-D



A-A



Notes

- ① PARTS 1, 2 AND 3 PUSHED AND LOCKED
- ② PACKAGING: LOOSE PEACE IN CARD BOX
- ③ WAREPAGE 0,4MM PERMITTED
- ④ USED ON PN 2112651

Bemerkungen

- ① Teile 1, 2 und 3 zusammengesoben und verrastet
- ② Verpackung: Schuettgut in Karton
- ③ Formbedingter Verzug zul. 0,4mm
- ④ Verwendet in PN 2112651

SUB ASS'Y NO.	REV.	MATERIAL	COLOUR SURFACE	DESCRIPTION	QTY.	ITEM NO.
0-2112650-1	A	PBT-GF10	BLACK	RETAINER	1	1
		X12CrNi177	-	LOCKING LANCE	1	2
		X12CrNi177	-	LOCKING LANCE	1	3

<small>THIS DRAWING IS A CONTROLLED DOCUMENT FOR TYCO ELECTRONICS CORPORATION IT IS SUBJECT TO CHANGE AND THE CONTROLLING ENGINEERING ORGANIZATION SHOULD BE CONTACTED FOR THE LATEST REVISION.</small>		DWN I.Starke 25MAR2010 CHK B.Fieberling 25MAR2010 APVD -	Tyco Electronics tyco Electronics AMP GmbH D - 64625 Bensheim
DIMENSIONS: mm 	TOLERANCES UNLESS OTHERWISE SPECIFIED: 0-PLC ± 1-PLC ± 2-PLC ± 3-PLC ± 4-PLC ± ANGLES ±1° FINISH	ACC. TO DIN 16901-126 CENTRIC TO NOMINAL DIM PRODUCT SPEC APPLICATION SPEC WEIGHT -	NAME RETAINER, TE, 2x3 POS, ASSY SIZE A2 CAGE CODE 00779 DRAWING NO. 0-2112650 RESTRICTED TO -
MATERIAL -		CUSTOMER DRAWING	SCALE 5:1 SHEET 1 OF 1 REV A2