

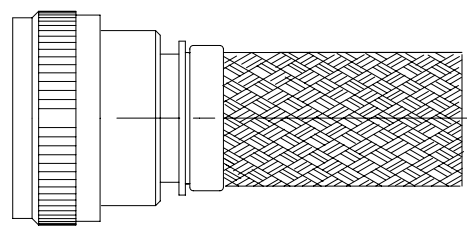
2

1

TYCO ELECTRONICS RESERVES THE RIGHT TO AMEND THIS DRAWING AT ANY TIME. USERS SHOULD EVALUATE THE SUITABILITY OF THE PRODUCT FOR THEIR APPLICATION.

REVISIONS

LTR	DESCRIPTION	DATE	APPROVED
H	REVISED PER ECN AD93032		
J	REVISED PER DCR R060311	5/22/06	MPIOZET



CODE 47, SHIELDED STRAIGHT ADAPTER

NOTES:

1. THIS PRODUCT IS DESIGNED TO TERMINATE A HEAT SHRINKABLE LIPPED BOOT TO A CONNECTOR.
2. FOR ADDITIONAL DIMENSIONS, ORDERING INFORMATION AND MODIFICATIONS, SEE CH00-0250-004.
3. ADAPTER TO BE PERMANENTLY MARKED WITH CODE IDENT. NO. AND PART NO. (E.G.: 06090-210M012-19B08).
- ④ FOR LARGER ENTRY SIZES, A 2 PIECE ADAPTER (TYPE II) IS SUPPLIED.
- ⑤ BRAID TERMINATION RING MAY BE SUPPLIED AS TINEL-LOCK SHAPE MEMORY RING AT MANUFACTURER'S OPTION.
- ⑥ ADAPTER MATES TO BENDIX SJT COMMERCIAL SERIES CONNECTORS.

If this document is printed it becomes uncontrolled. Check for the latest revision

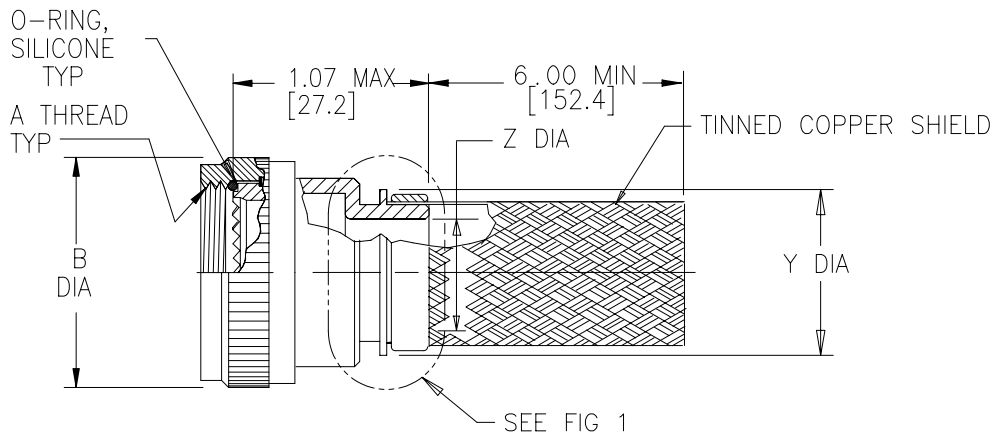
©2006 Tyco Electronics Corporation. All rights reserved.

SPECIFICATION CONTROL DRAWING

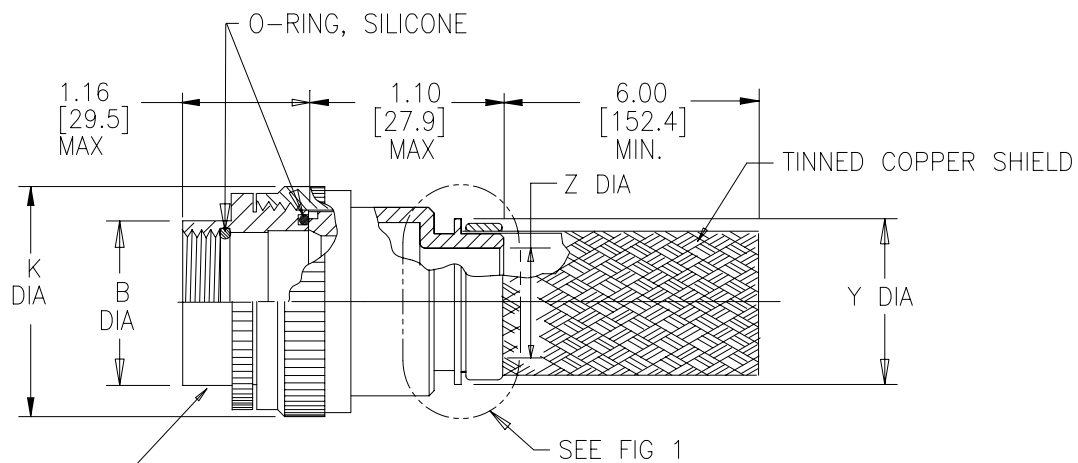
UNLESS OTHERWISE SPECIFIED DIMENSIONS ARE IN INCHES. METRIC DIMENSIONS ARE IN BRACKETS. DECIMALS .XXX ± 0.005 [0.13 mm] .XX ± 0.01 [0.25 mm] .X ± 0.1 [0.50 mm] ANGLES .X ± 0.5 DEG	DRAWN	J. BITTER	08-06-93		Tyco Electronics Corporation 300 Constitution Drive Menlo Park, CA. 94025 U.S.A.	<i>Raychem</i>	
	CHECKED	---	---				
	APPROVED				TITLE		
	REVISED	MFORONDA	5/22/06	ADAPTER, SHIELD, STRAIGHT CODE 47			
CAD NAME:			R060311A.dwg	SIZE	CODE IDENT. NO.	DWG. NO.	
THIRD ANGLE PROJECTION				A	06090	210M0XX	
DO NOT SCALE THIS DRAWING					SHEET 1 OF 3		

2

1

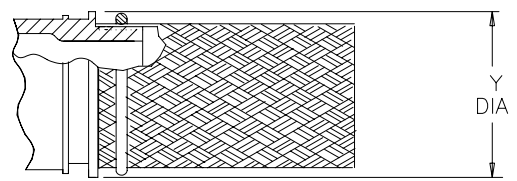


STRAIGHT ADAPTER-TYPE I



STRAIGHT ADAPTER-TYPE II

4



TINEL-LOCK TERMINATION

FIG 1 5

If this document is printed it becomes uncontrolled. Check for the latest revision

SPECIFICATION CONTROL DRAWING

SIZE A	CODE IDENT. NO. 06090	DWG. NO. 210M0XX	REV J
DO NOT SCALE THIS DRAWING		CAD NAME: R060311B.dwg	SHEET 2 OF 3

TABLE I				
BASE PART NO.	SHELL SIZE 6	MAX ENTRY SIZE TYPE I 4	A THREAD CLASS 2B	B DIA MAX
210M008	8	04	.438-28 UNEF	.719 [18.27]
210M010	10	06	.562-24 UNEF	.844 [21.44]
210M012	12	08	.688-24 UNEF	.969 [24.61]
210M014	14	10	.812-20 UNEF	1.094 [27.79]
210M016	16	12	.938-20 UNEF	1.219 [30.96]
210M018	18	13	1.062-18 UNEF	1.344 [34.14]
210M020	20	15	1.188-18 UNEF	1.469 [37.31]
210M022	22	16	1.312-18 UNEF	1.594 [40.49]
210M024	24	18	1.438-18 UNEF	1.719 [43.66]

TABLE II			
ENTRY SIZE	K MAX	Z ±.020 [±0.51] DIA	Y DIA MIN
03	NA	.187 [4.75]	.393 [9.98]
04	NA	.250 [6.35]	.456 [11.58]
05	.80 [20.3]	.312 [7.92]	.515 [13.08]
06	.80 [20.3]	.375 [9.53]	.581 [14.76]
07	.92 [23.4]	.438 [11.13]	.643 [16.33]
08	.92 [23.4]	.500 [12.70]	.705 [17.91]
09	1.18 [30.0]	.562 [14.27]	.705 [17.91]
10	1.18 [30.0]	.625 [15.88]	.831 [21.11]
11	1.18 [30.0]	.688 [17.48]	.893 [22.68]
12	1.35 [34.3]	.750 [19.05]	.953 [24.21]
13	1.41 [35.8]	.812 [20.62]	.953 [24.21]
14	1.41 [35.8]	.875 [22.23]	1.081 [27.46]
15	1.60 [40.6]	.938 [23.83]	1.143 [29.03]
16	1.60 [40.6]	1.000 [25.40]	1.205 [30.61]
18	1.66 [42.2]	1.125 [28.58]	1.381 [35.08]
20	2.04 [51.8]	1.250 [31.75]	1.506 [38.25]
22	2.23 [56.6]	1.375 [34.93]	1.631 [41.43]
24	2.23 [56.6]	1.500 [38.10]	1.756 [44.60]
28	2.48 [63.0]	1.750 [44.45]	2.004 [50.90]

If this document is printed it becomes uncontrolled. Check for the latest revision

SPECIFICATION CONTROL DRAWING

SIZE A	CODE IDENT. NO. 06090	DWG. NO. 210M0XX	REV J
DO NOT SCALE THIS DRAWING		CAD NAME: R060311C.dwg	SHEET 3 OF 3