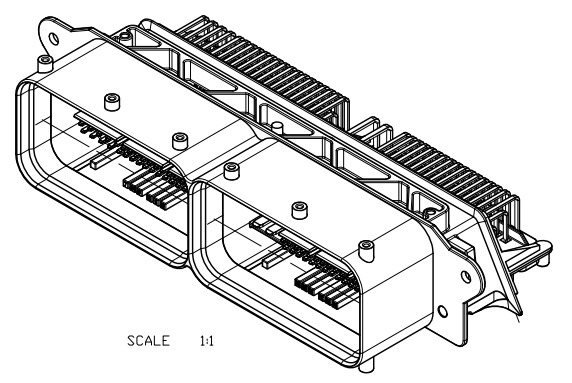
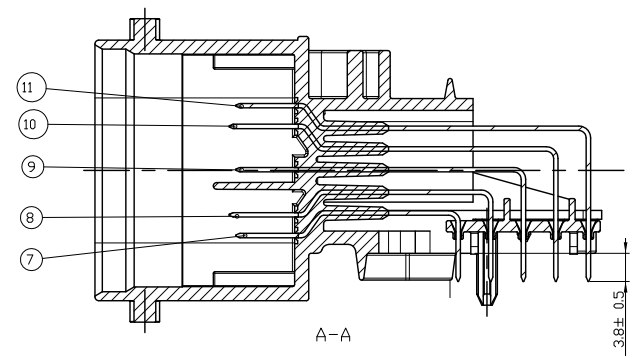
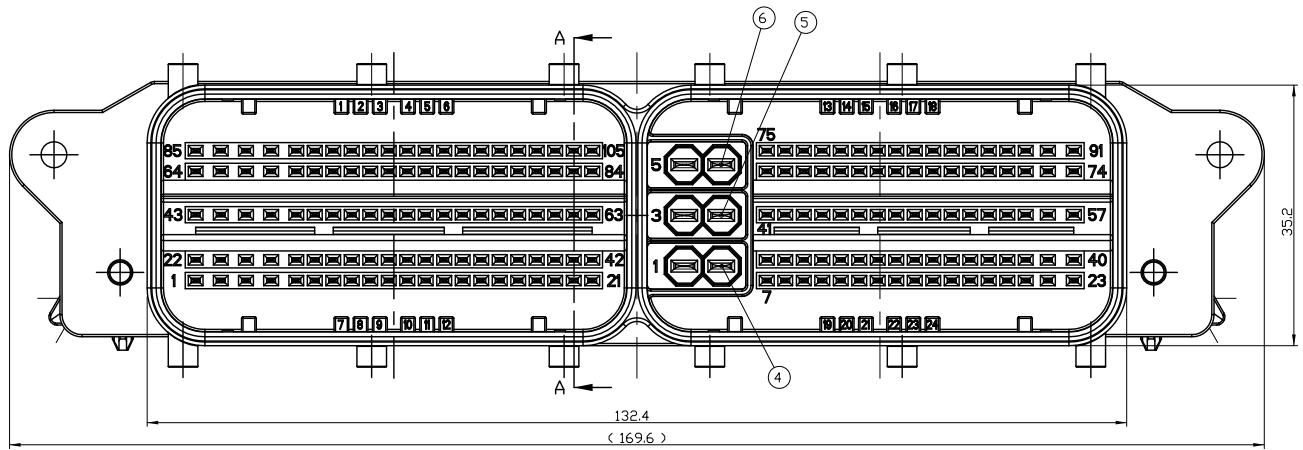
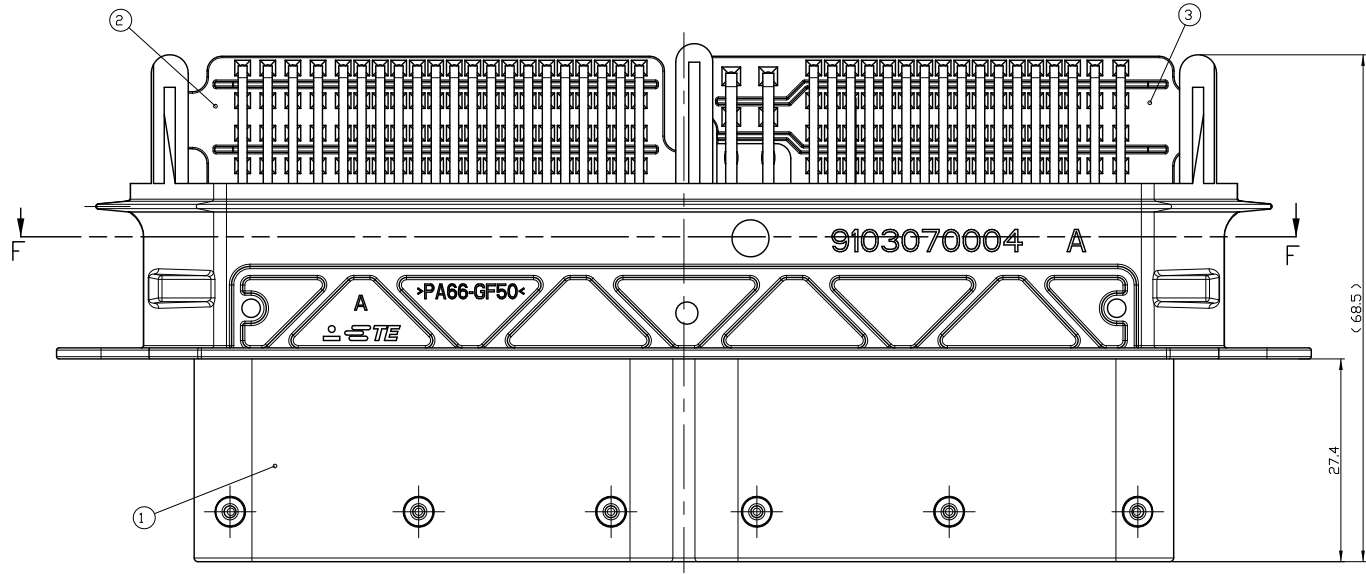
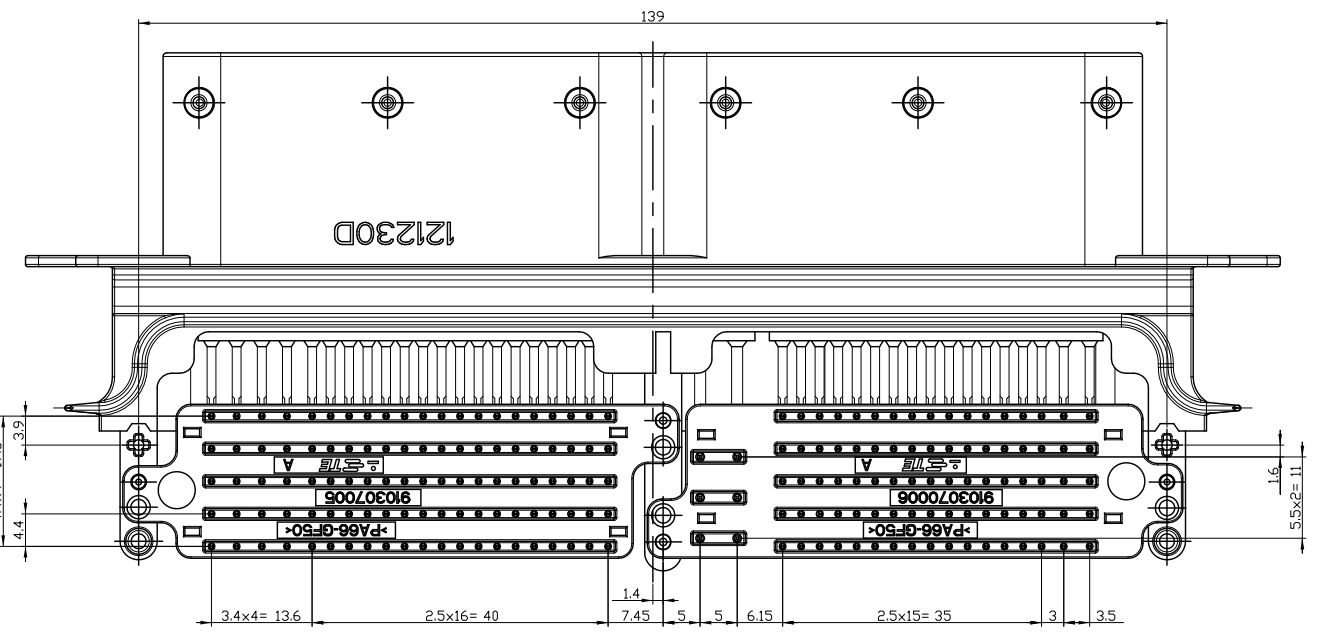
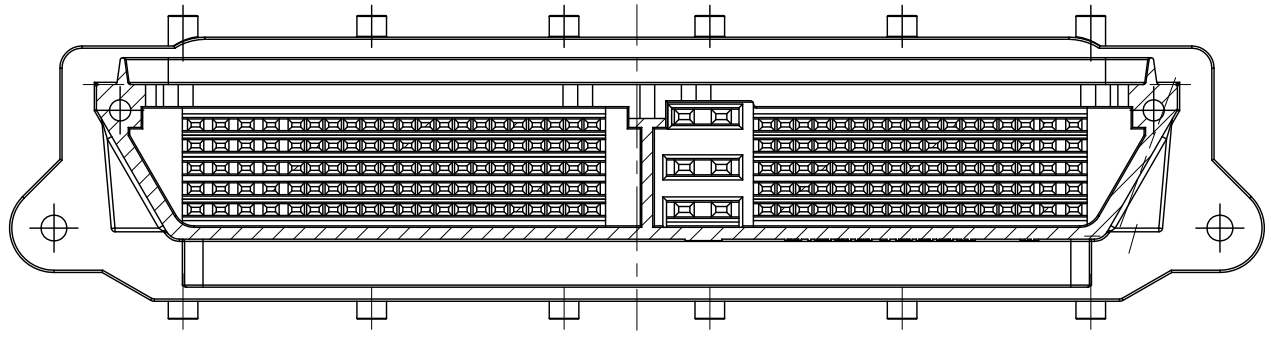
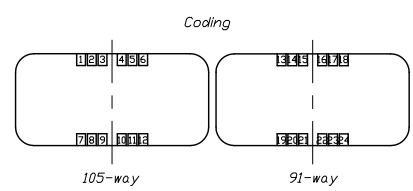
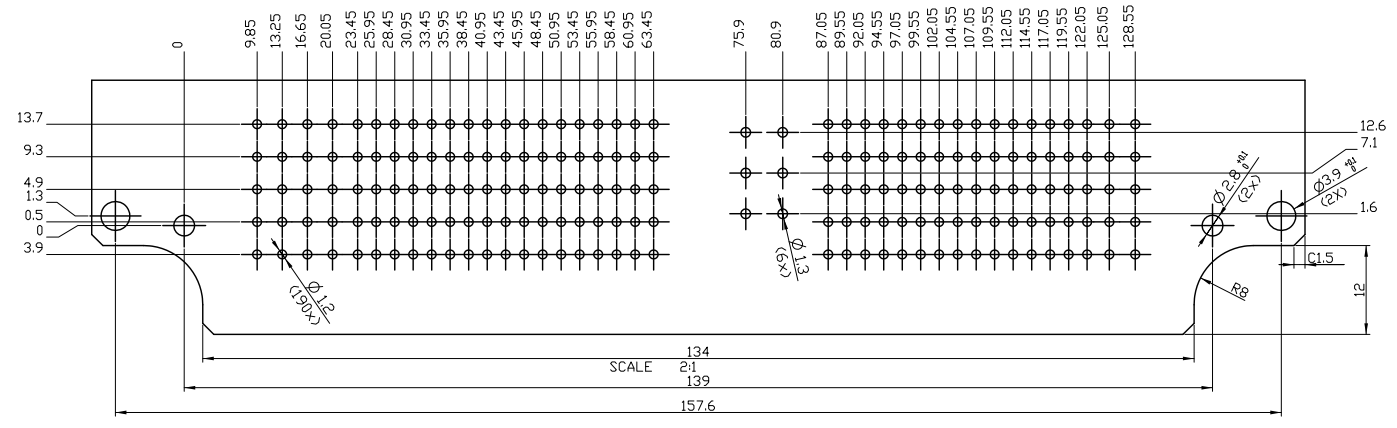


THIS DRAWING IS UNPUBLISHED.
 RELEASED FOR PUBLICATION
 ALL RIGHTS RESERVED

LOC		DIST		REVISIONS				
P	LTR	DESCRIPTION	DATE	DWN	APVD	YH	HG	
A		RELEASED	11DEC12					



drill configuration pcb (information only for layout)



- NOTE,
 1. GENERAL TOLERANCE : ±0.5, ±3'
 2. SEALING AREA

Part Number	1	2	3	4	5	6	7	8	0
Coding Number	1,2, 4,7, 8,10	1,2, 5,7, 8,11	1,2, 6,7, 8,12	1,3, 4,7, 9,10	1,3, 5,7, 9,11	1,3, 6,7, 9,12	1,4, 5,7, 10,11	1,4, 6,7, 10,12	
Coding 105-way	13,17, 18,19, 23,24	14,15, 17,20, 21,23	14,15, 18,20, 21,24	14,16, 17,20, 22,23	14,16, 18,20, 22,24	14,17, 18,20, 23,24	15,16, 18,21, 22,24	15,17, 18,21, 23,24	
Coding 91-way									Without ribs

THIS DRAWING IS A CONTROLLED DOCUMENT.

DIMENSIONS: MM

TOLERANCES UNLESS OTHERWISE SPECIFIED:

PLC ±0.15

PLC ±0.20

PLC ±0.25

PLC ±0.30

PLC ±0.40

PLC ±0.50

PLC ±0.60

PLC ±0.70

PLC ±0.80

PLC ±0.90

PLC ±1.00

PLC ±1.20

PLC ±1.50

PLC ±2.00

PLC ±2.50

PLC ±3.00

PLC ±4.00

PLC ±5.00

PLC ±6.00

PLC ±8.00

PLC ±10.00

PLC ±12.00

PLC ±15.00

PLC ±20.00

PLC ±25.00

PLC ±30.00

PLC ±40.00

PLC ±50.00

PLC ±60.00

PLC ±80.00

PLC ±100.00

PLC ±120.00

PLC ±150.00

PLC ±200.00

PLC ±250.00

PLC ±300.00

PLC ±400.00

PLC ±500.00

PLC ±600.00

PLC ±800.00

PLC ±1000.00

MATERIAL

FINISH

APPROVED: [Signature]

DATE: 11 DEC 2012

TE Connectivity

PCU 196P HEADER ASSY (FOR KEFICO)

SIZE: 00779

DRAWING NO: 2109649

RESTRICTED TO

CUSTOMER DRAWING

SCALE: 1:1

SHEET 1 OF 1

REV A

NO	FINISH/ COLOR	MATERIAL	DESCRIPTION	Q'TY	ASSY P/N
11	SELECTIVE-TIN	CuSn6	1.2mm TAB(L)	38	2109649-2
10	SELECTIVE-TIN	CuSn6	1.2mm TAB(L)	38	
9	SELECTIVE-TIN	CuSn6	1.2mm TAB(L)	38	
8	SELECTIVE-TIN	CuSn6	1.2mm TAB(M)	38	
7	SELECTIVE-TIN	CuSn6	1.2mm TAB(S)	38	
6	SELECTIVE-TIN	CuSn6	2.8mm TAB(L)	2	
5	SELECTIVE-TIN	CuSn6	2.8mm TAB(M)	2	
4	SELECTIVE-TIN	CuSn6	2.8mm TAB(S)	2	
3	BLACK	PA66-GF50	JOINT HSG FDR 91P	1	
2	BLACK	PA66-GF50	JOINT HSG FDR 105P	1	
1	BLACK	PA66-GF50	HEADER HSG(CODE'D)	1	