

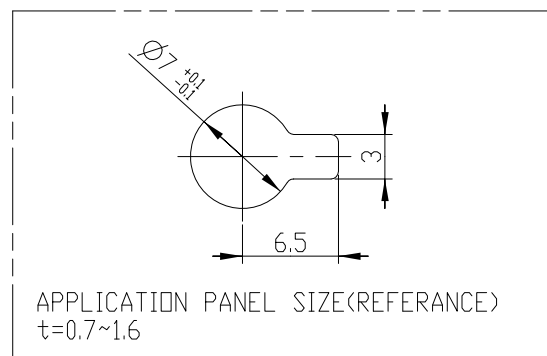
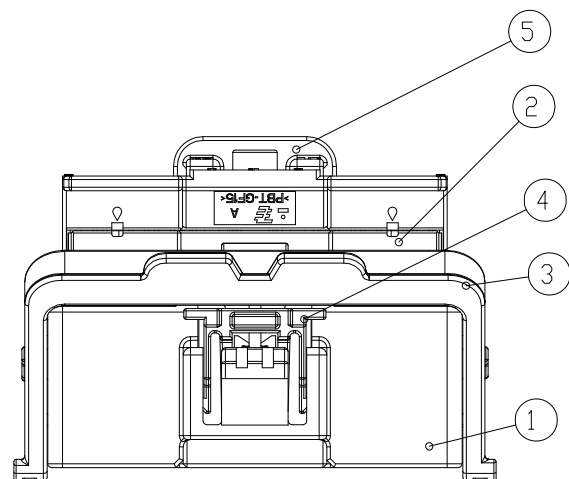
THIS DRAWING IS UNPUBLISHED.

RELEASED FOR PUBLICATION

© COPYRIGHT

ALL RIGHTS RESERVED.

LOC	DIST	REVISIONS					
		P	LTR	DESCRIPTION	DATE	DWN	APVD
DS	—		A	RELEASED	22JUL11	YH	HG



□M350 BODY-IP CONN. MALE HOUSING ASS'Y

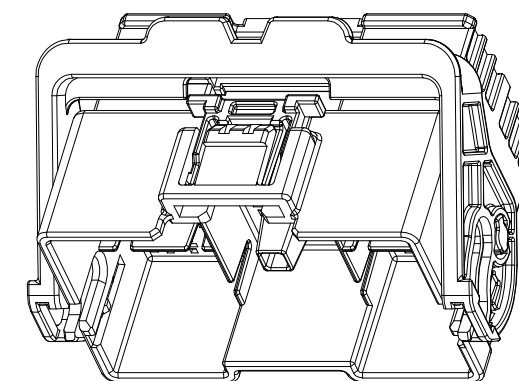
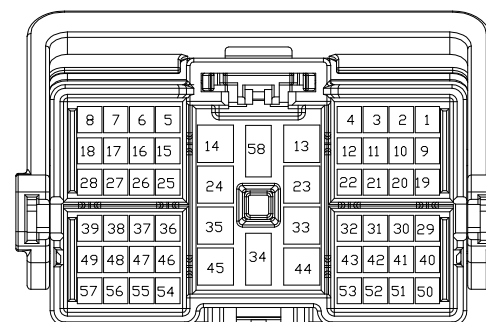
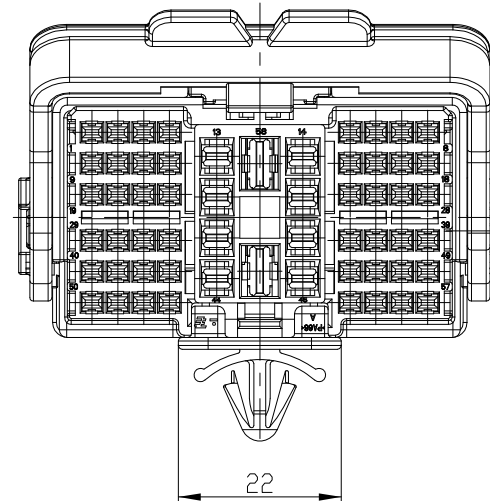
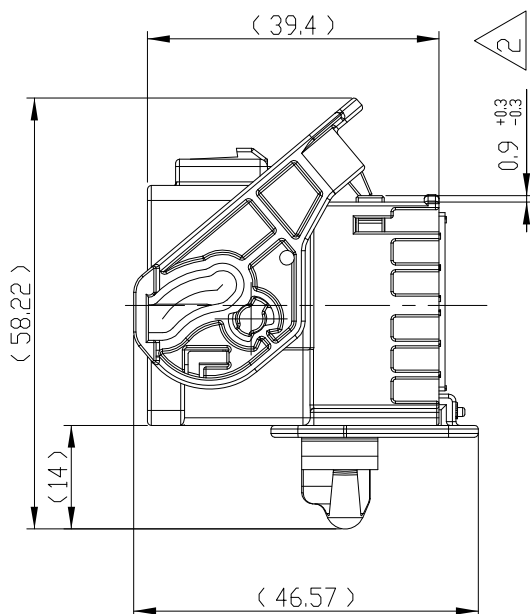
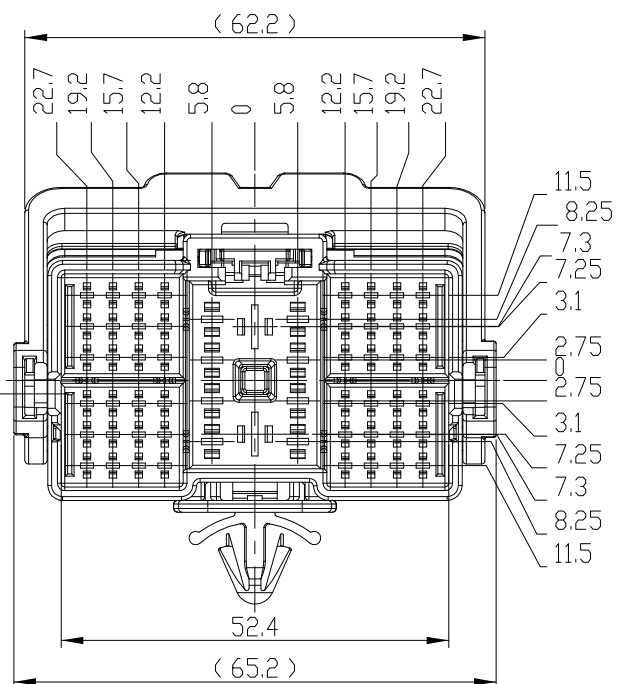


TABLE 1.

	PART NO.	WIRE SIZE
MTIII MODIFY SPRING	964265-2	0.2_0.35mm
	964267-2	0.5_1.0mm
JPT MODIFY SPRING	2-964294-1	0.5_1.0mm
	2-964296-1	1.25_2.5mm
SPT MODIFY SPRING	964308-1	2.5_4.0mm

- NOTE,  
 1. GENERAL TOLERANCE : ±0.5, ±5°  
 2. CONDITION OF DELIVERY : DBL PLATE IN OPEN POSITION.  
 3. APPLIED RECEPTACLE CONTACT P/N:SEE TABLE 1  
 4. SUITABLE MATING PLUG P/N : 2005281



NO	FINISH/ COLOR	MATERIAL	DESCRIPTION	Q'TY
5	BLACK	PA66	CLIP HSG	1
4	RED	PBT-GF15	58P CPA HSG	1
3	BLACK	PBT-GF15	58P LEVER HSG	1
2	NATURAL	PBT-GF15	58P DBL HSG	1
1	GRAY	PBT-GF15	58P CAP HSG	1

ASSY P/N	2109050-3
----------	-----------

THIS DRAWING IS A CONTROLLED DOCUMENT.		DWN YH MA		TE Connectivity	
DIMENSIONS:		CHK KT LIM			
TOLERANCES UNLESS OTHERWISE SPECIFIED:		APVD HG CHD		NAME	
0 PLC ± 1 PLC ± 2 PLC ± 3 PLC ± 4 PLC ± ANGLES ±		PRODUCT SPEC		MTIII/JPT/SPT HYB 58P CAP ASSY (Ø7 KEY HOLE)	
MATERIAL SEE NOTE		FINISH		SIZE	
				CAGE CODE	
				DRAWING NO	
				RESTRICTED TO	
		WEIGHT		A3 00779 C-2109050	
		CUSTOMER DRAWING		SCALE 1:1 SHEET 1 OF 1 REV A	