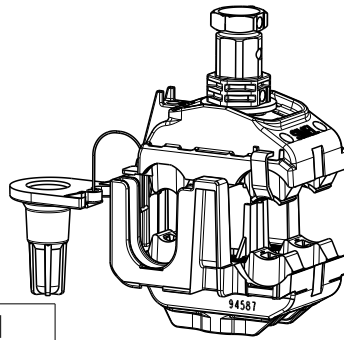
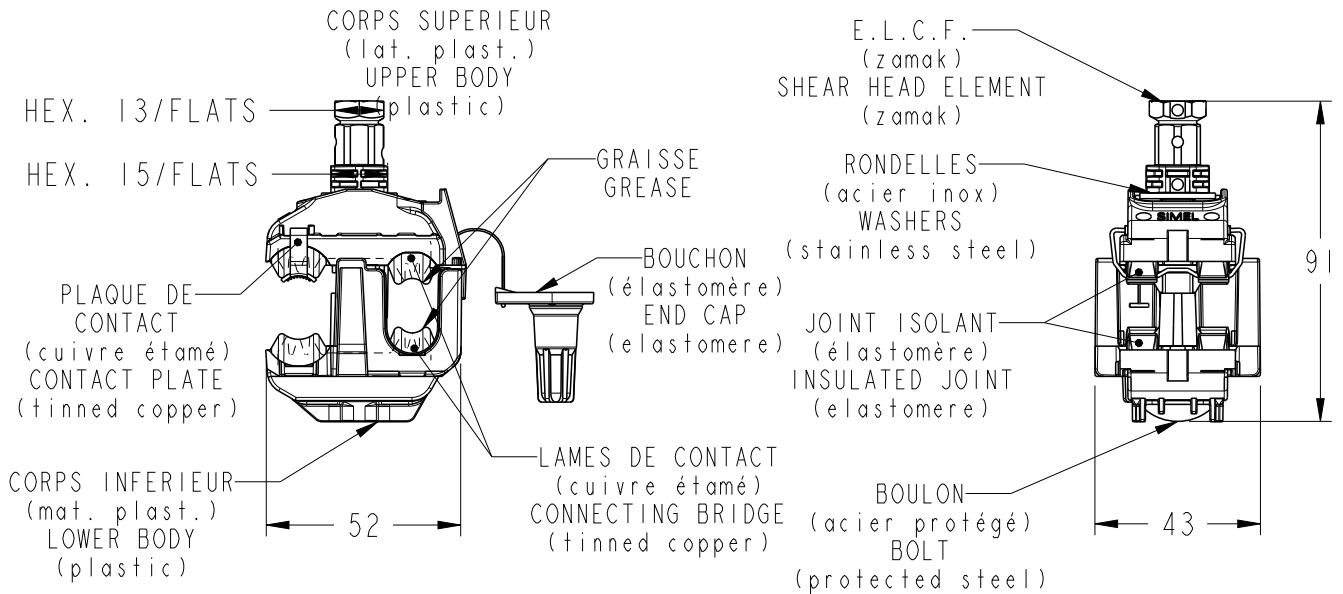


REVISIONS					
P	LTR REV	DESCRIPTION MODIFICATIONS	DATE	DWN DESS.	APVD APP.
	B	Creation	23OCT2013	JD	AG
	C	ECR-16-011051	21JUN2016	JD	AG



2107864-1
PART NUMBER

DESIGNATION	PN	CAPACITES PRICIPAL CAPACITIES MAIN	CAPACITES DERIVES CAPACITIES TAP	MASSE WEIGHT	COUPLE DE RUPTURE BREAKING SHEAR HEAD TORQUE
P2B100 U Mk2	2107864-1	Câble nu Al/Cu Bare Al/Cu 7mm ² to 100 mm ²	Torsade BT LV ABC 4 mm ² to 35 (50) mm ²	133g	11 Nm

MARQUAGE : LOGO, REFERENCE, CAPACITES, LOT
 MARKING : LOGO, REFERENCE, CAPACITIES, BATCH NUMBER

TOLERANCES UNLESS OTHERWISE SPECIFIED TOLERANCES NON SPECIFIEES: -

DIMENSIONS: mm TOLERANCES UNLESS OTHERWISE SPECIFIED: TOLERANCES NON SPECIFIEES (SUIV NB DE DECIMALES): 0 PLC/DEC: ±0 1 PLC/DEC: ±0.1 2 PLC/DEC: ±0.2 3 PLC/DEC: ±0.3 4 PLC/DEC: ±0.4 ANGLES ±-	DWN/DESSINE J. Dossmann 23OCT2013 CHK/VERIFIE R. Buthiot APVD/APPROUVE A. Guichard PRODUCT SPEC SPEC. PRODUIT APPLICATION SPEC SPEC. APPLICATION	MATERIAL MATIERE - NAME TITRE P2B100 U Mk2 SIZE FORMAT A4 CAGE CODE - DRAWING NO No PLAN C=2107864 RESTRICTED TO RESERVE A -	FINISH FINITION -
	WEIGHT MASSE APPROX. -	Customer Drawing /PLAN CLIENT UNIQUEMENT POUR REFERENCE SCALE ECHELLE 1:2 SHEET FEUILLE 1 OF DE 1 REV C	



2011
 RELEASED FOR PUBLICATION
 LIBRE A LA DIFFUSION
 ALL RIGHTS RESERVED.
 TOUS DROITS RESERVES.

THIS DRAWING IS UNPUBLISHED.
 DIFFUSION RESTREINTE
 COPYRIGHT 2011
 BY -