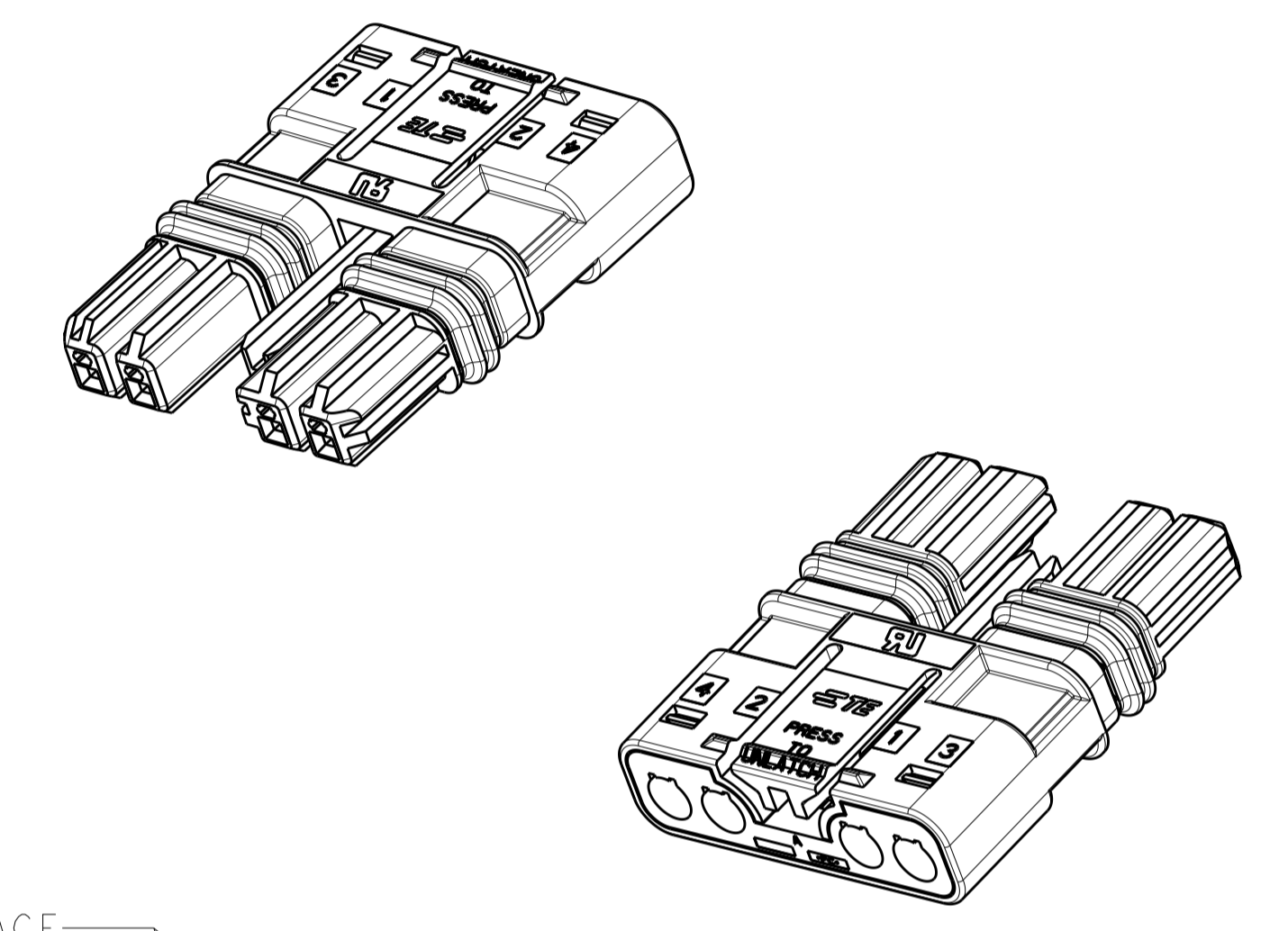
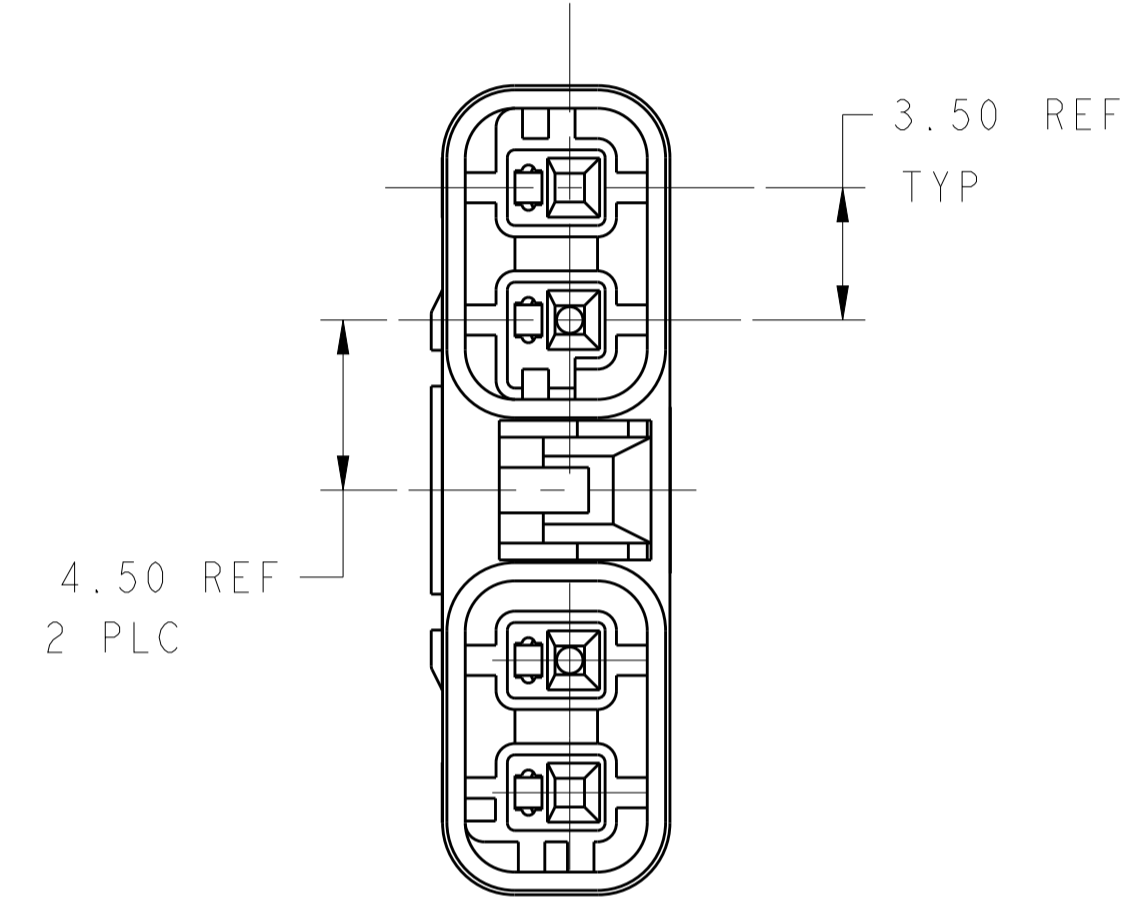
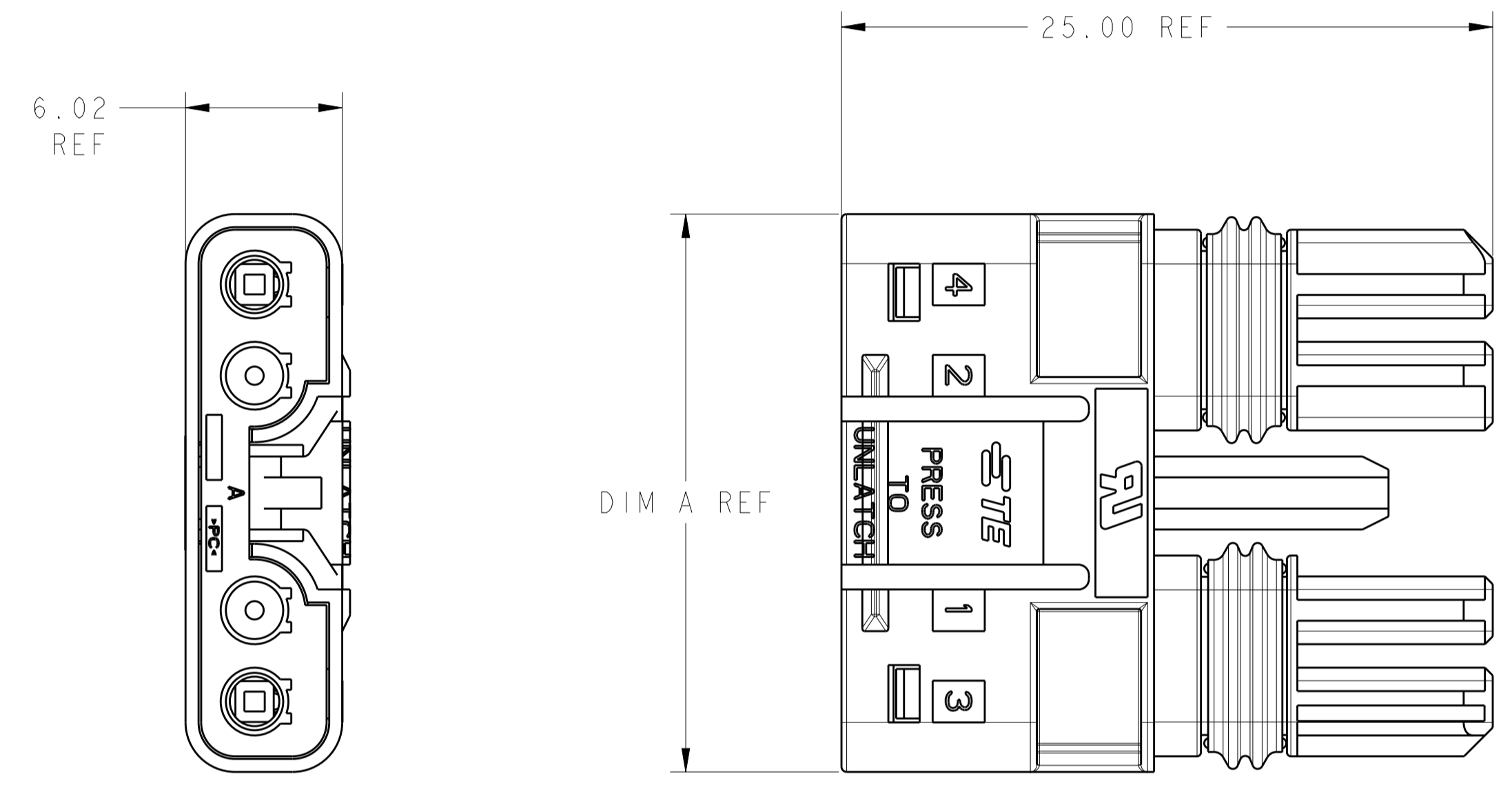
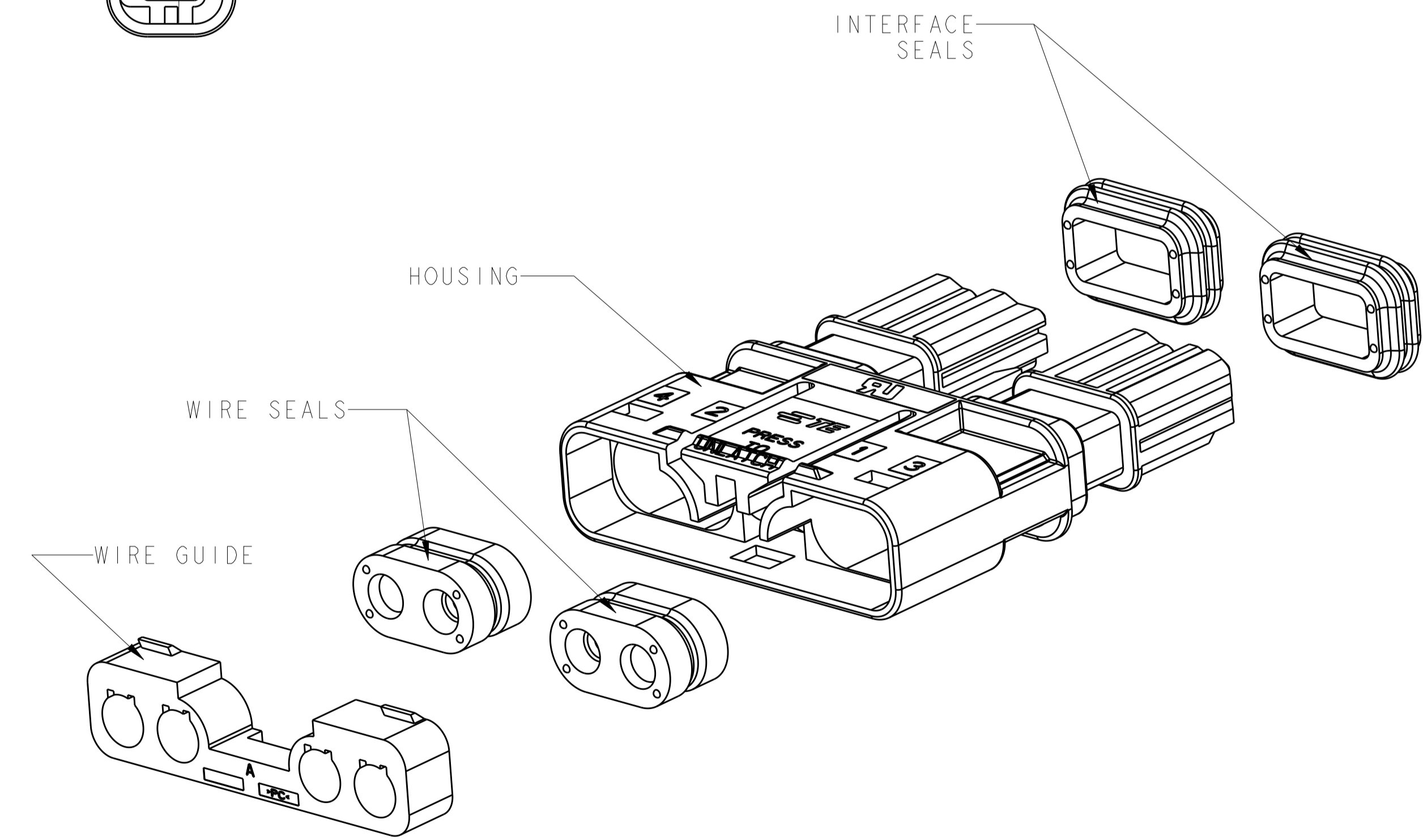
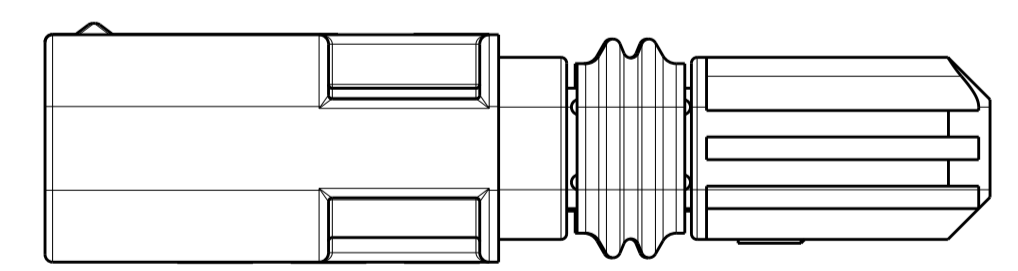


LOC		DIST		REVISIONS			
P	LTN	DESCRIPTION	DATE	DWN	APVD		
A1		REVISED PER ECO-11-004820	11MAR2011	RK	HMR		
B		REVISED PER ECO-11-012970	26DEC2011	HVG	DD		
B1		REVISED PER ECO-12-009130	15MAY2012	RS	DD		
B2		REVISED PER ECO-17-002947	09MAY2017	SK	DD		

- ⚠ MATERIAL: HOUSING: POLYCARBONATE, FI PER UL 746C, COLOR: BLACK  
 WIRE GUIDE: POLYCARBONATE, FI PER UL 746C, COLOR: BLACK  
 SEALS: SILICONE RUBBER, COLOR BLUE
- THIS PART HAS NOT COMPLETED VALIDATION TESTING.
  - MUST COMPLY WITH DIRECTIVE 2002/95/EC (ROHS).



2106135-4  
 SCALE 3:1



2106135-4 SHOWN

DIM A REF	NO. OF POSN	PART NUMBER
21.40	4	2106135-4
17.90	3	2106135-3
14.40	2	2106135-2

THIS DRAWING IS A CONTROLLED DOCUMENT.		DWN: HM VAN SCIOK 12FEB2009	<b>STE</b> TE Connectivity	
TOLERANCES UNLESS OTHERWISE SPECIFIED:		CHK: A. BUCHER 12FEB2009		
DIMENSIONS:	mm	APVD: A. BUCHER 12FEB2009	NAME: ASSEMBLY, PLUG, FREE HANGING SLIMSEAL SSL CONNECTOR	
0 PLC	±	PRODUCT SPEC	SIZE: CAGE CODE: DRAWING NO: RESTRICTED TO	
1 PLC	±0.2	108-2391	A100779C=2106135	
2 PLC	±0.15	APPLICATION SPEC	SCALE: 4:1 SHEET 1 OF 1 REV: B2	
3 PLC	±	114-13261		
4 PLC	±	WEIGHT: -		
ANGLES	±°	CUSTOMER DRAWING		
MATERIAL	FINISH			