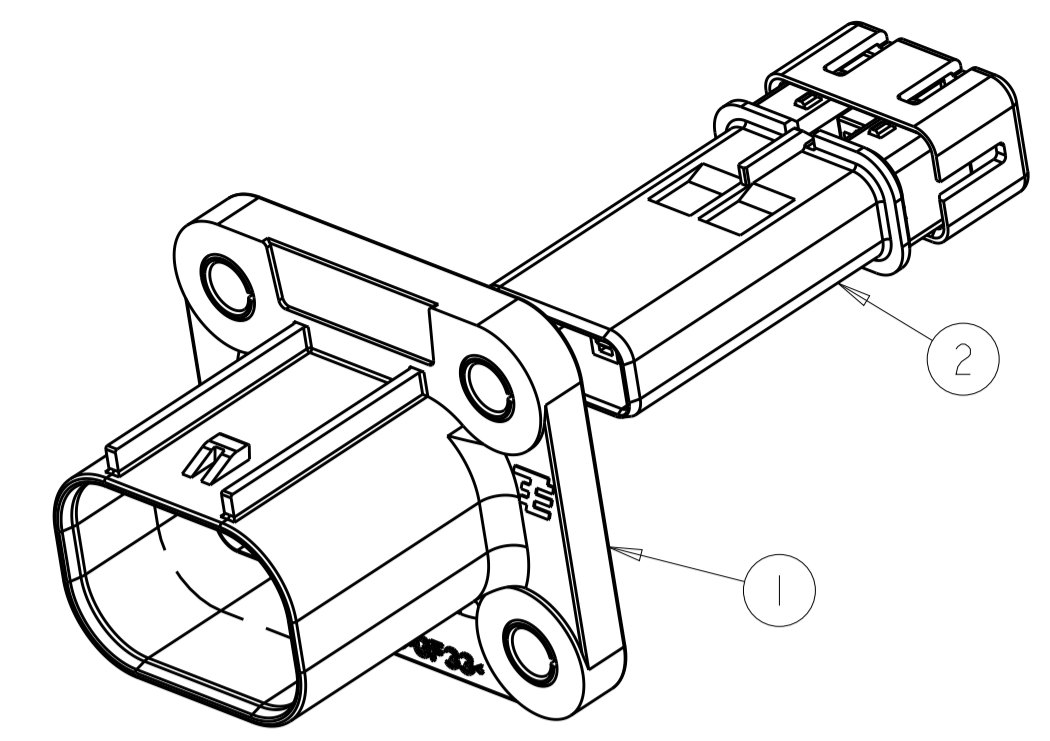
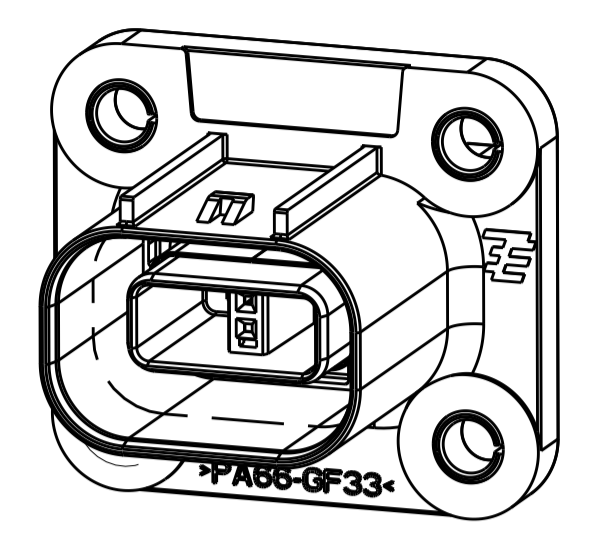


| REVISIONS |                 |           |     |      |
|-----------|-----------------|-----------|-----|------|
| P. LTM    | DESCRIPTION     | DATE      | OWN | APVD |
| 1         | INITIAL DRAWING | 03APR2014 | TD  | TD   |
| 2         | ECR-14-011887   | 30JUL2014 | TD  | TD   |



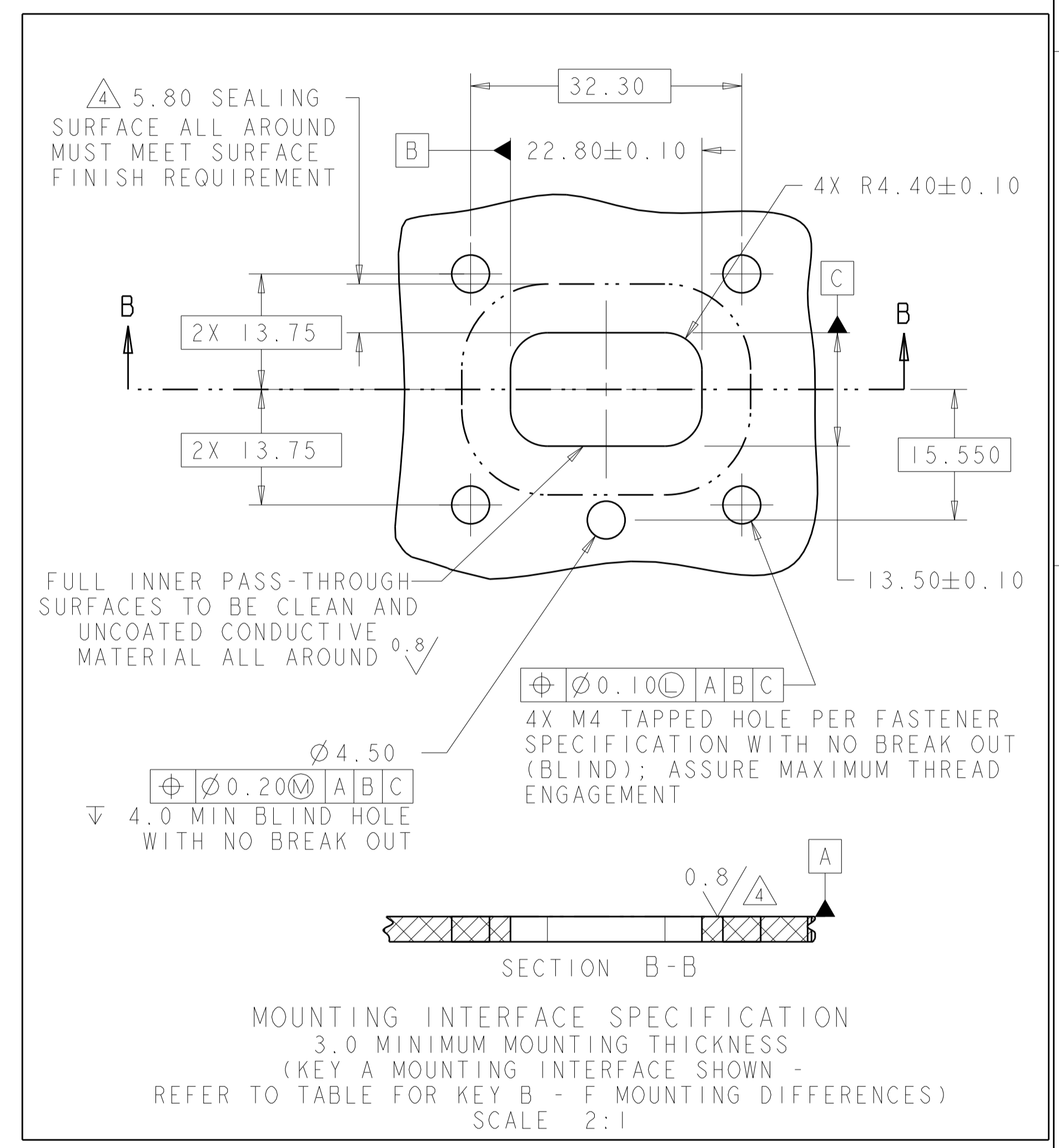
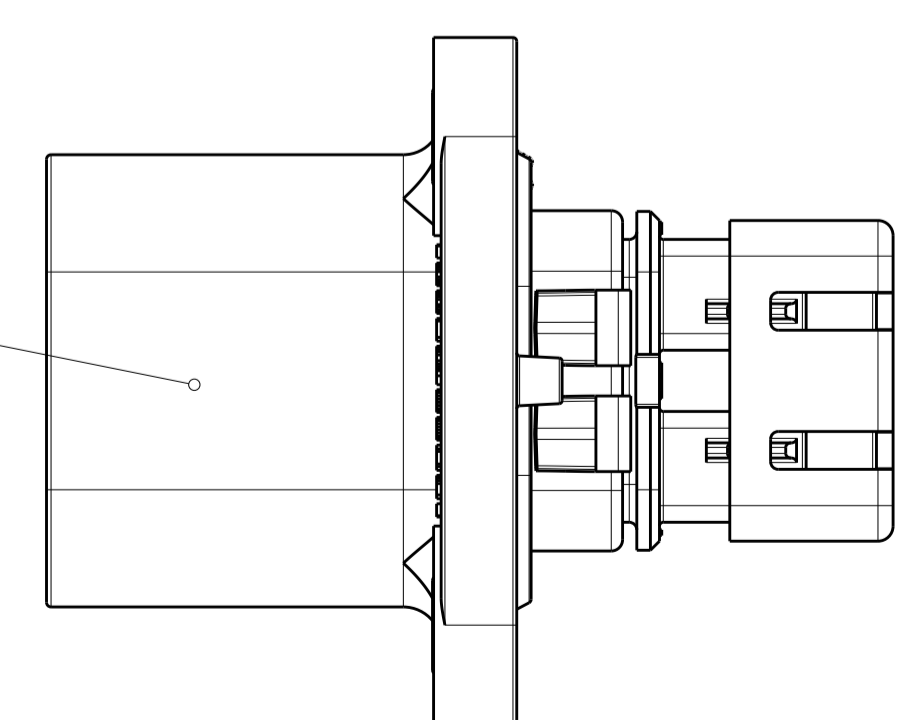
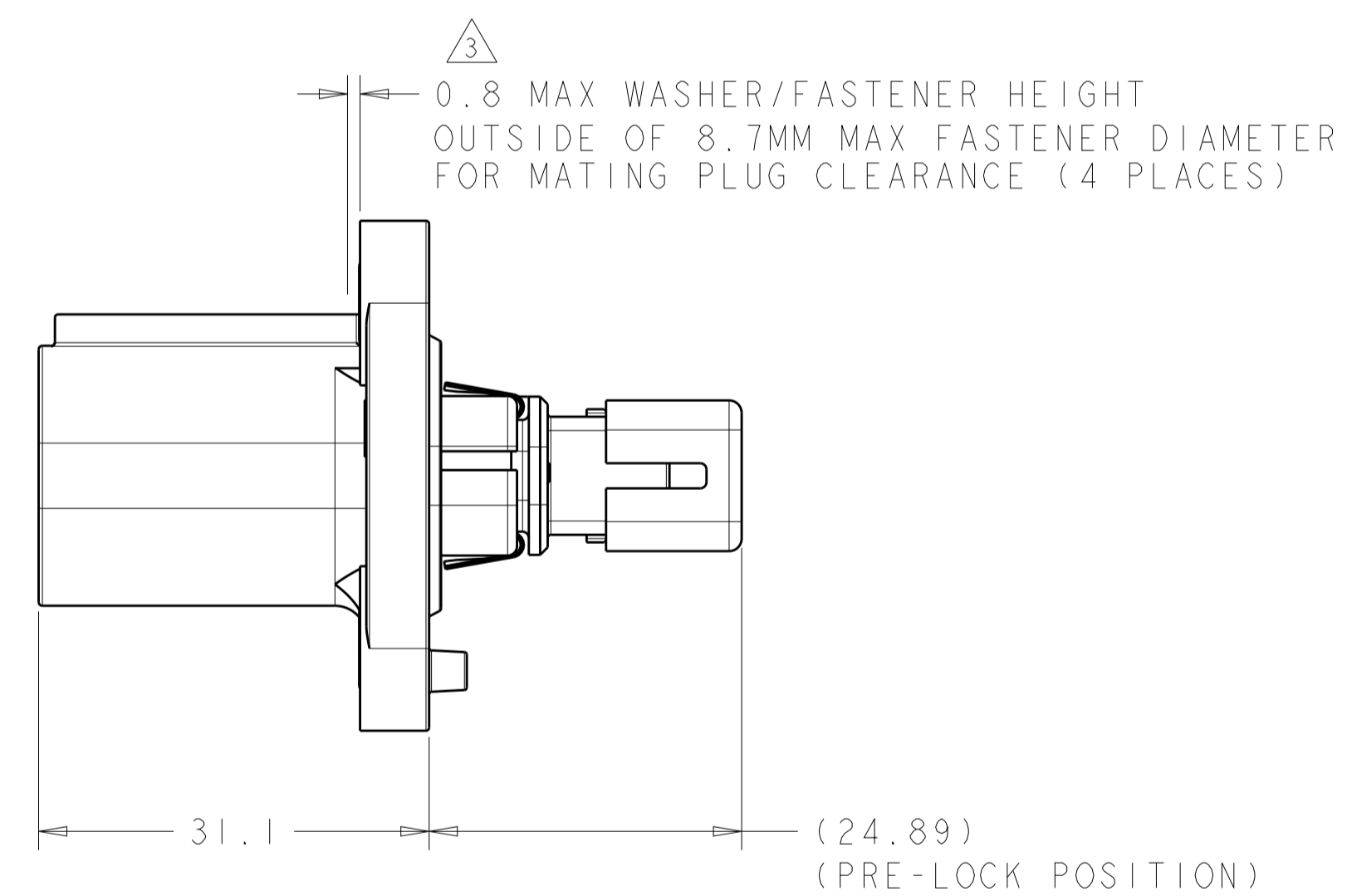
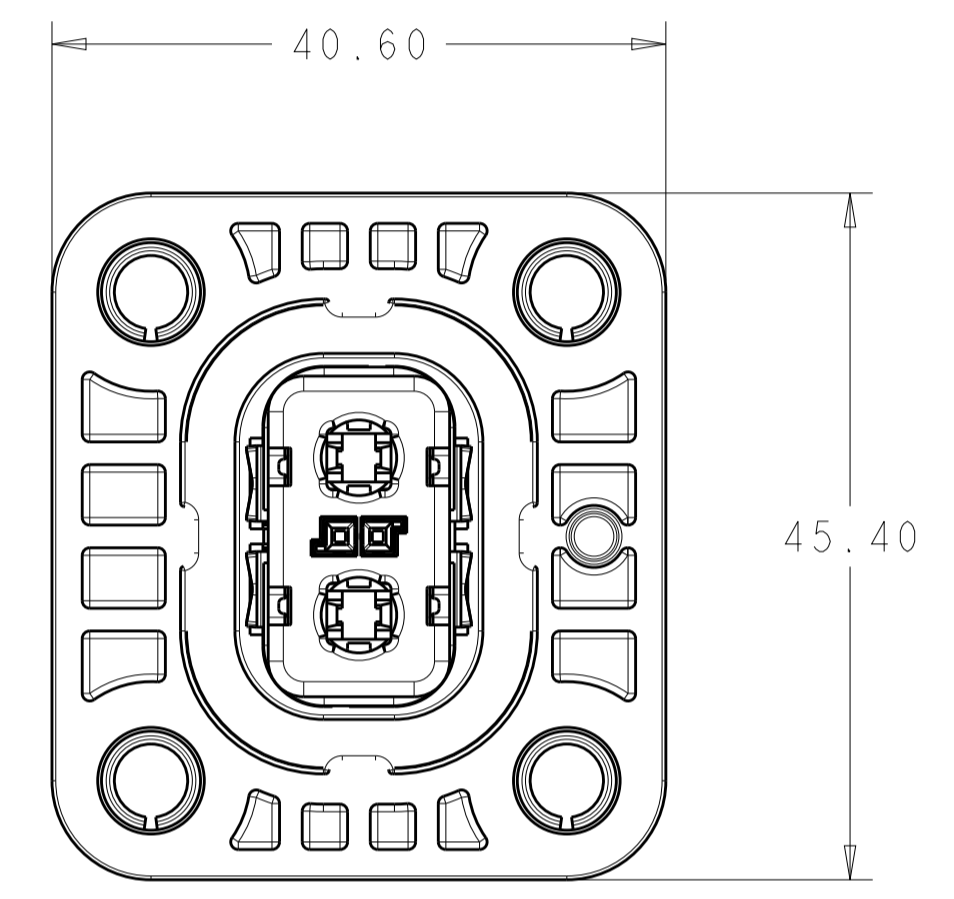
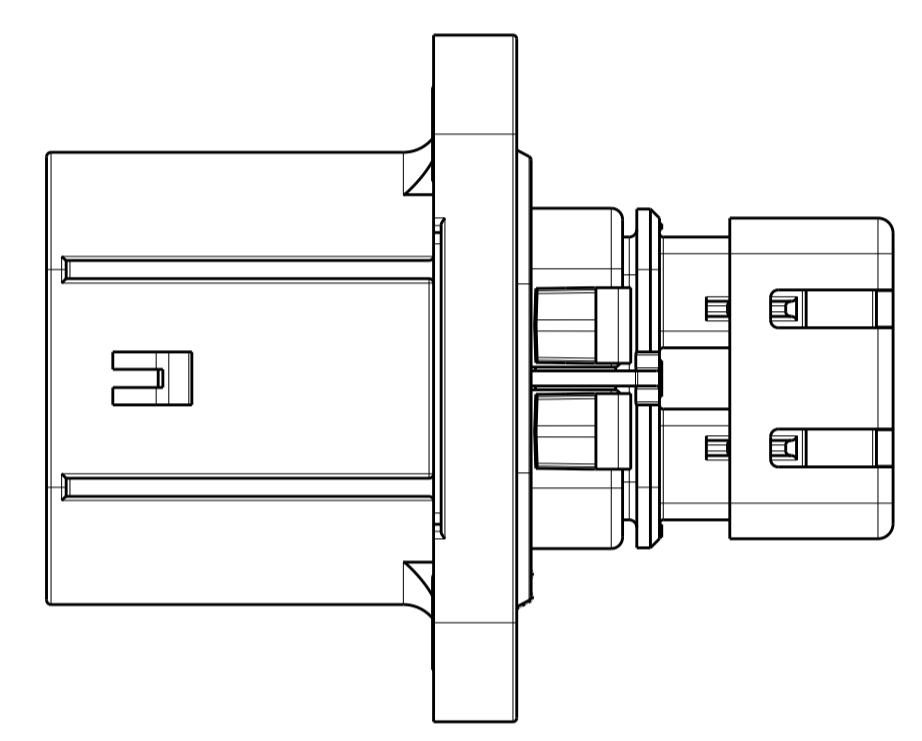
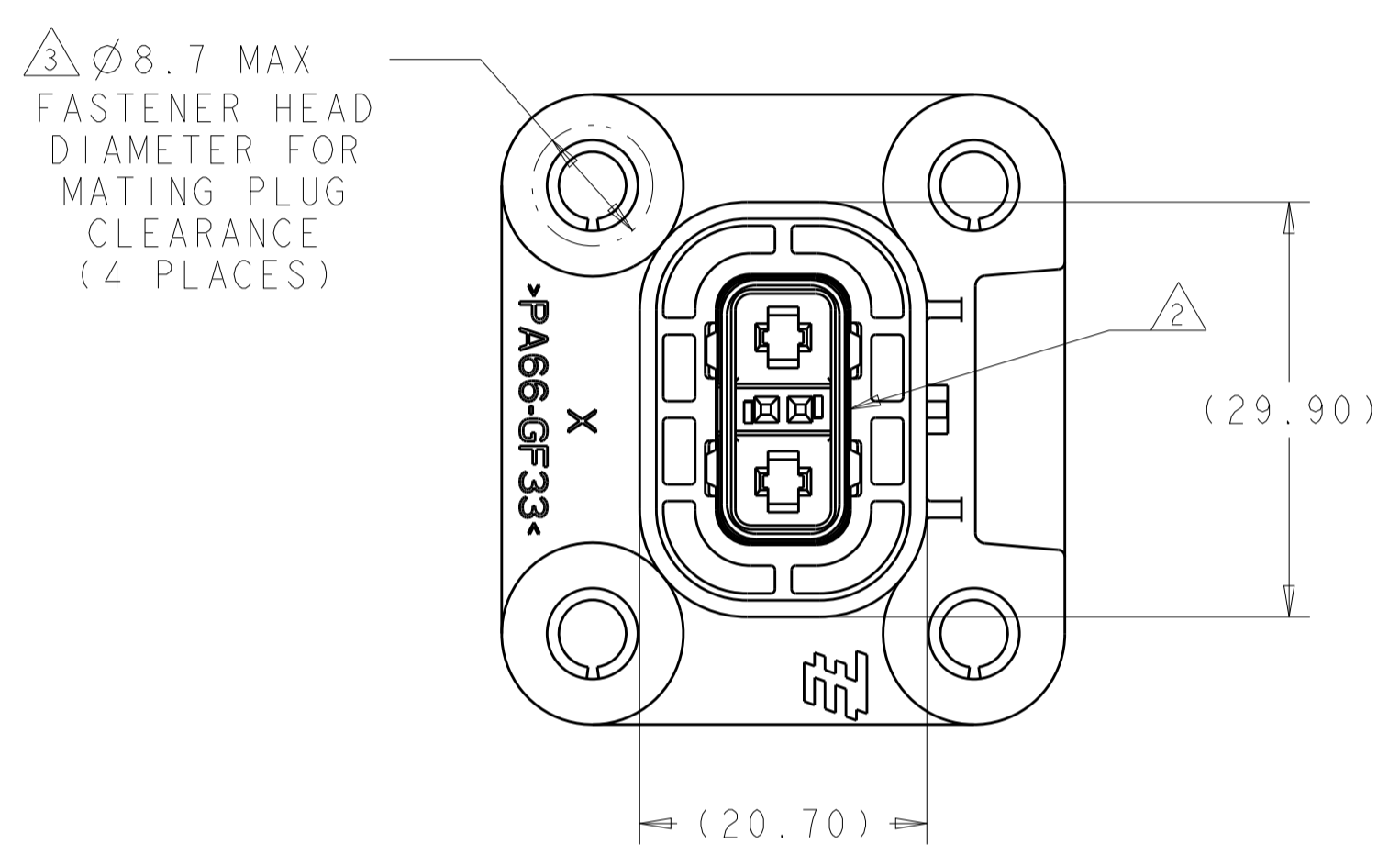
SCALE 3:2

△ SHOWN AS SEPARATE PARTS



SCALE 3:2

SHOWN FULLY ASSEMBLED



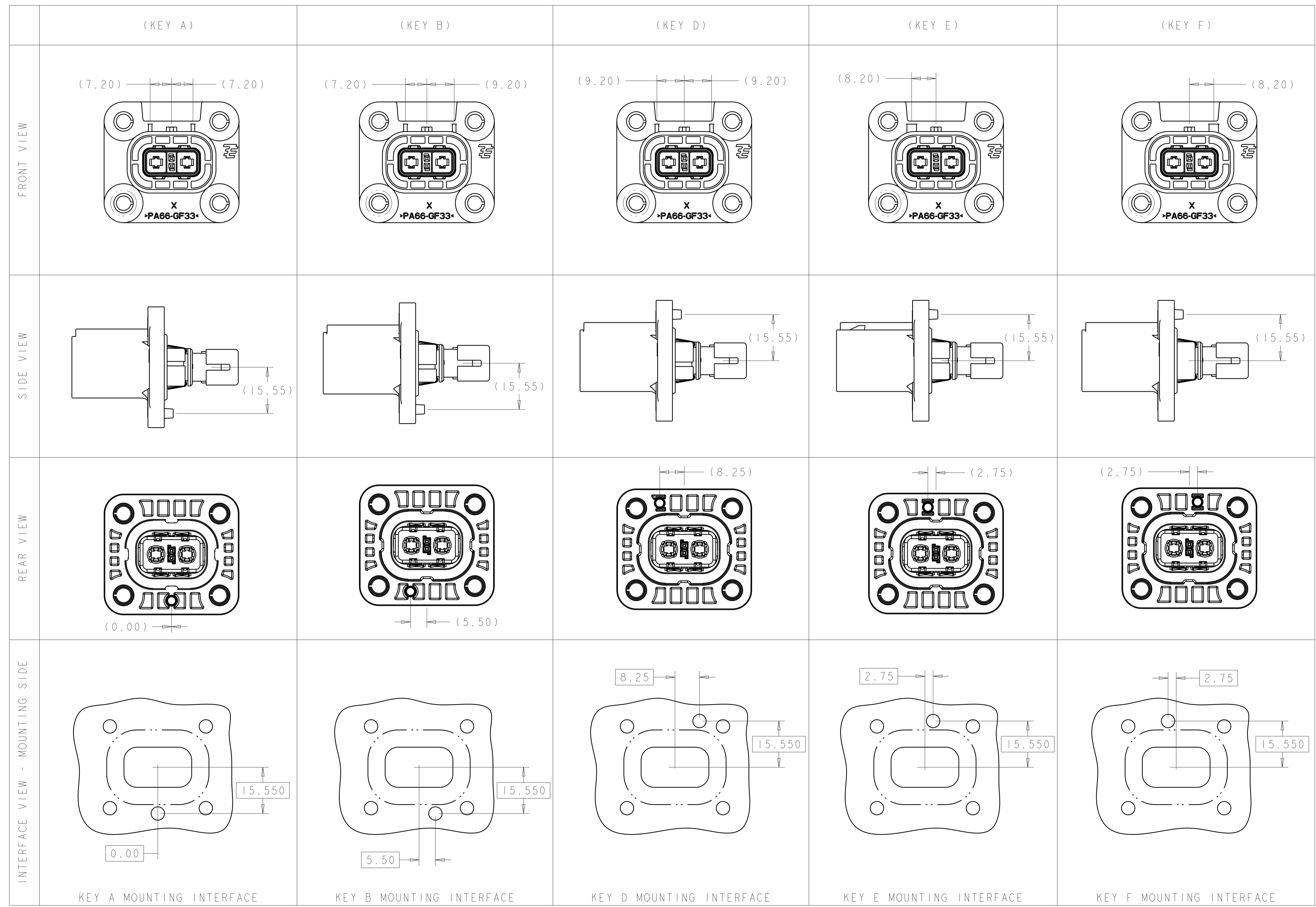
- △ IDENTIFICATION MARKING ON THIS SURFACE CONTAINS ASSEMBLY P/N AND DATE CODE (YYDD). TEXT ORIENTATION, SIZE, AND LOCATION CAN VARY AS LONG AS TEXT IS ON SURFACE SHOWN AND READABLE.
- △ SHIELD SEAM CAN BE POSITIONED AS SHOWN OR ROTATED 180° FROM POSITION SHOWN.
- △ THESE DIMENSIONS DEFINE FASTENER SIZE LIMITS FOR PROPER COMPONENT FUNCTIONALITY. END USER MUST ENSURE FASTENER AND/OR WASHER DIAMETER IS 8.6 MM MIN FOR PROPER RETENTION. THESE ARE NOT PRODUCT FEATURES - NO INSPECTION REQUIRED FOR THESE ITEMS.
- △ SURFACE FINISH APPLIES TO AREAS SHOWN IN MOUNTING INTERFACE SPECIFICATION
- 5. USE WITH 2.8MM BLADE TERMINAL P/N:  
 2-2141598-2 FOR 1.0 - 2.5MM<sup>2</sup> WIRE  
 2-2141600-2 FOR >2.5 - 4.0MM<sup>2</sup> WIRE
- 6. USE WITH MQS RECEPTACLE P/N:  
 963715-6, 963715-5, 928999-6, OR 928999-5  
 DEPENDING ON WIRE SIZE AND MATING PLUG USED
- △ FULL ASSEMBLY CONSISTS OF ITEM #1 (OUTER HOUSING ASSY) AND ITEM #2 (INNER HOUSING ASSEMBLY), WHICH CAN ALSO BE PURCHASED SEPARATELY.

|                               |                               |               |       |           |
|-------------------------------|-------------------------------|---------------|-------|-----------|
| 2103722-6                     | 2103247-6                     | TIN           | F     | 2103751-6 |
| 2103722-5                     | 2103247-5                     | TIN           | E     | 2103751-5 |
| 2103722-4                     | 2103247-4                     | TIN           | D     | 2103751-4 |
| 2103722-2                     | 2103247-2                     | TIN           | B     | 2103751-2 |
| 2103722-1                     | 2103247-1                     | TIN           | A     | 2103751-1 |
| △ ITEM #2<br>(INNER HSG ASSY) | △ ITEM #1<br>(OUTER HSG ASSY) | SHIELD FINISH | INDEX | △ PART NO |

|  |  |                   |                  |  |
|--|--|-------------------|------------------|--|
| THIS DRAWING IS A CONTROLLED DOCUMENT.   |  | OWN<br>T. DEWITTE | 03APR2014        | TE Connectivity  |
| DIMENSIONS:  |  | CHK<br>T. DEWITTE | 04APR2014        |  |
| mm   | TOLERANCES UNLESS OTHERWISE SPECIFIED: | APVD<br>A. GUANCO | 07APR2014        | NAME<br>HVA280 2PHX HEADER ASSY<br>PLASTIC TWO PIECE - W/TPA |
| 0 PLC ±0.50<br>1 PLC ±0.50<br>2 PLC ±0.15<br>3 PLC ±0.05<br>4 PLC ±0.05<br>ANGLES ±0.3 | FINISH                                 | PRODUCT SPEC      | APPLICATION SPEC | SIZE CAGE CODE DRAWING NO<br>A100779C=2103751                |
| MATERIAL   |  | WEIGHT            | CUSTOMER DRAWING | RESTRICTED TO<br>SCALE 2:1 SHEET 1 OF 2 REV 2                |

PRELIMINARY PART- NOT RELEASED FOR PRODUCTION  
 THIS PRODUCT HAS NOT COMPLETED VALIDATION TESTING

| REVISIONS |     |             |      |      |
|-----------|-----|-------------|------|------|
| P.        | LTN | DESCRIPTION | DATE | APVD |
| -         | -   | SEE SHEET 1 | -    | -    |
|           |     |             |      |      |
|           |     |             |      |      |



PRELIMINARY PART- NOT RELEASED FOR PRODUCTION  
 THIS PRODUCT HAS NOT COMPLETED VALIDATION TESTING

|   |  |                           |   |
|---|--|---------------------------|---|
| THIS DRAWING IS A CONTROLLED DOCUMENT.  |  | OWN: T. DEWILTE 03APR2014 | TE Connectivity   |
| DIMENSIONS: mm  |  | CHK: T. DEWILTE 04APR2014 |   |
| TOLERANCES UNLESS OTHERWISE SPECIFIED:  |  | APVD: A. GUANCO 07APR2014 | NAME: HVA280 2PHX HEADER ASSY PLASTIC TWO PIECE - W/TPA |
| 0 PLC ±0.50<br>1 PLC ±0.50<br>2 PLC ±0.15<br>3 PLC ±0.05<br>4 PLC ±<br>ANGLES ±3° |  | PRODUCT SPEC: -           | SIZE: A1  |
| MATERIAL: -   |  | APPLICATION SPEC: -       | CAGE CODE: 2103751                                      |
| FINISH: -   |  | WEIGHT: -                 | RESTRICTED TO: -  |
| CUSTOMER DRAWING  |  | SCALE: 2:1                | SHEET 2 OF 2 REV 2                                      |