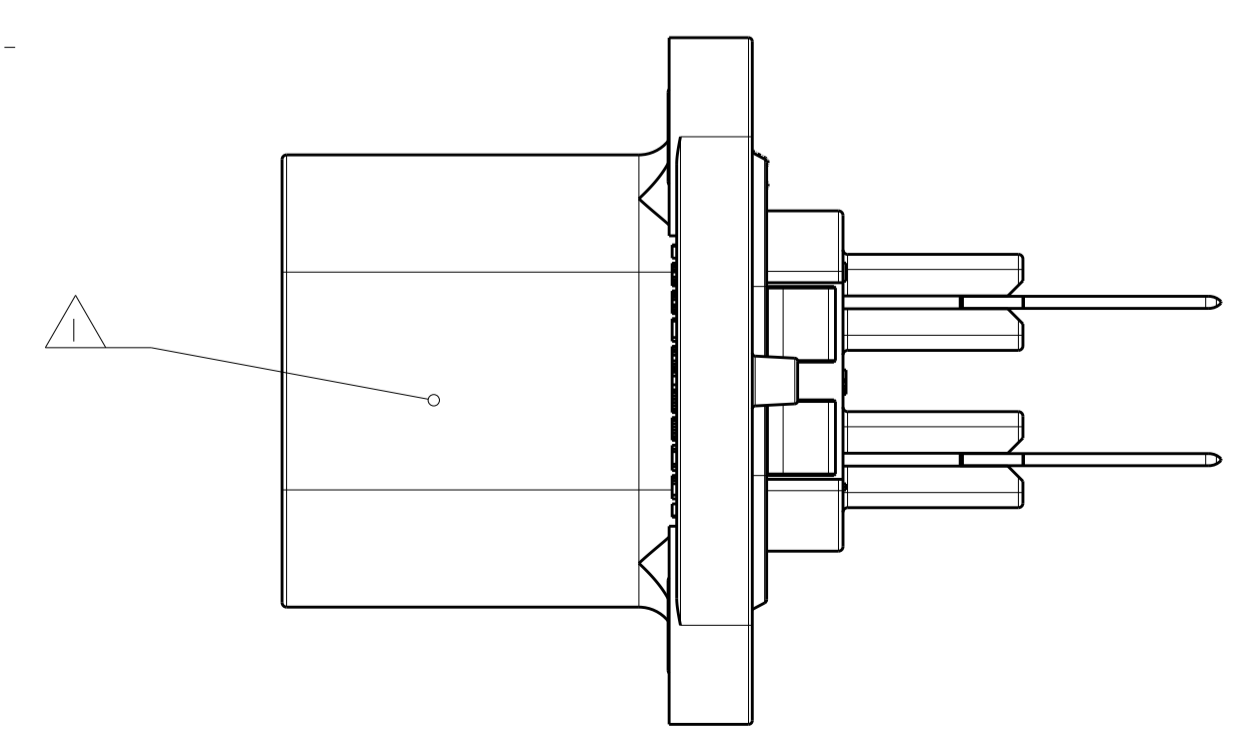
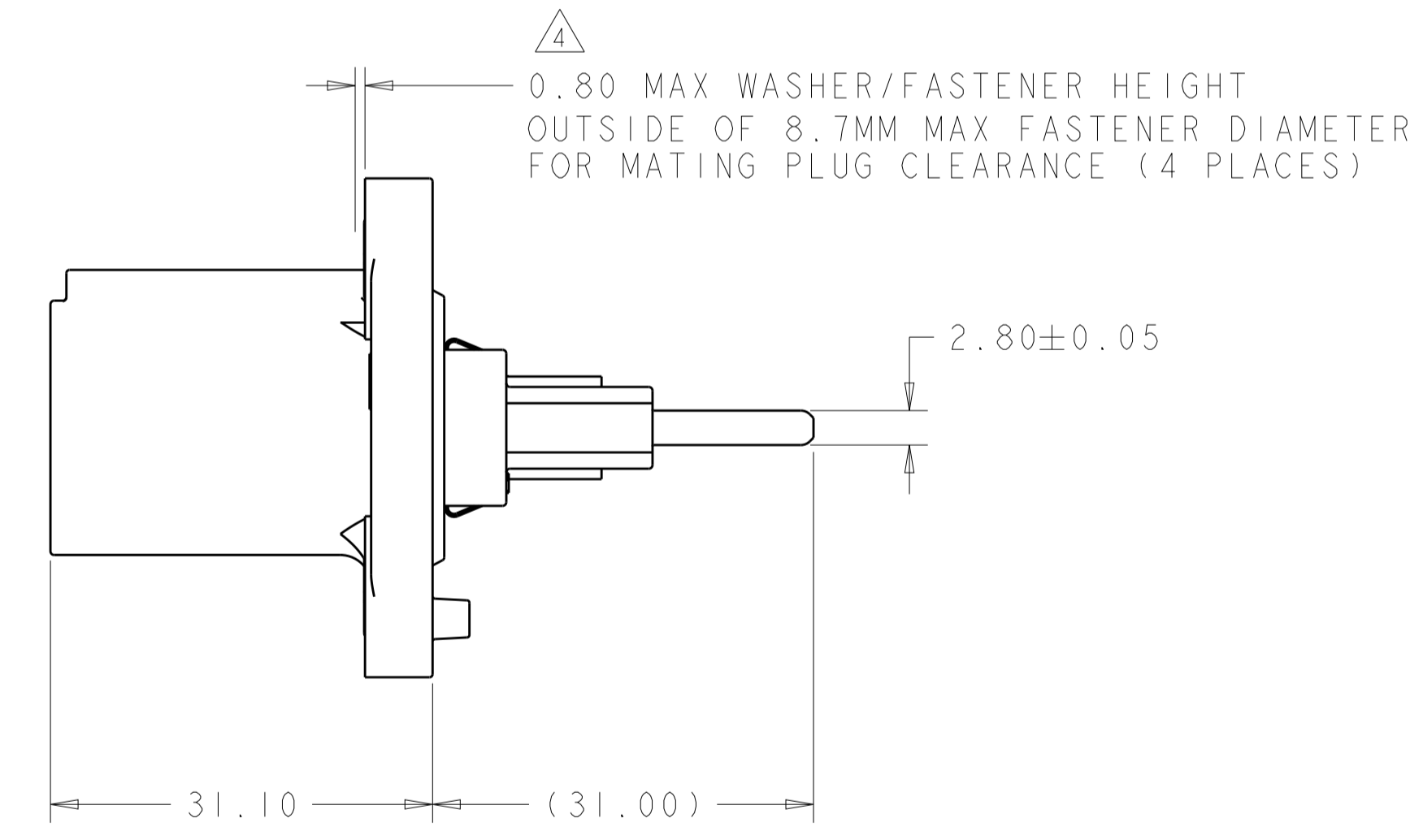
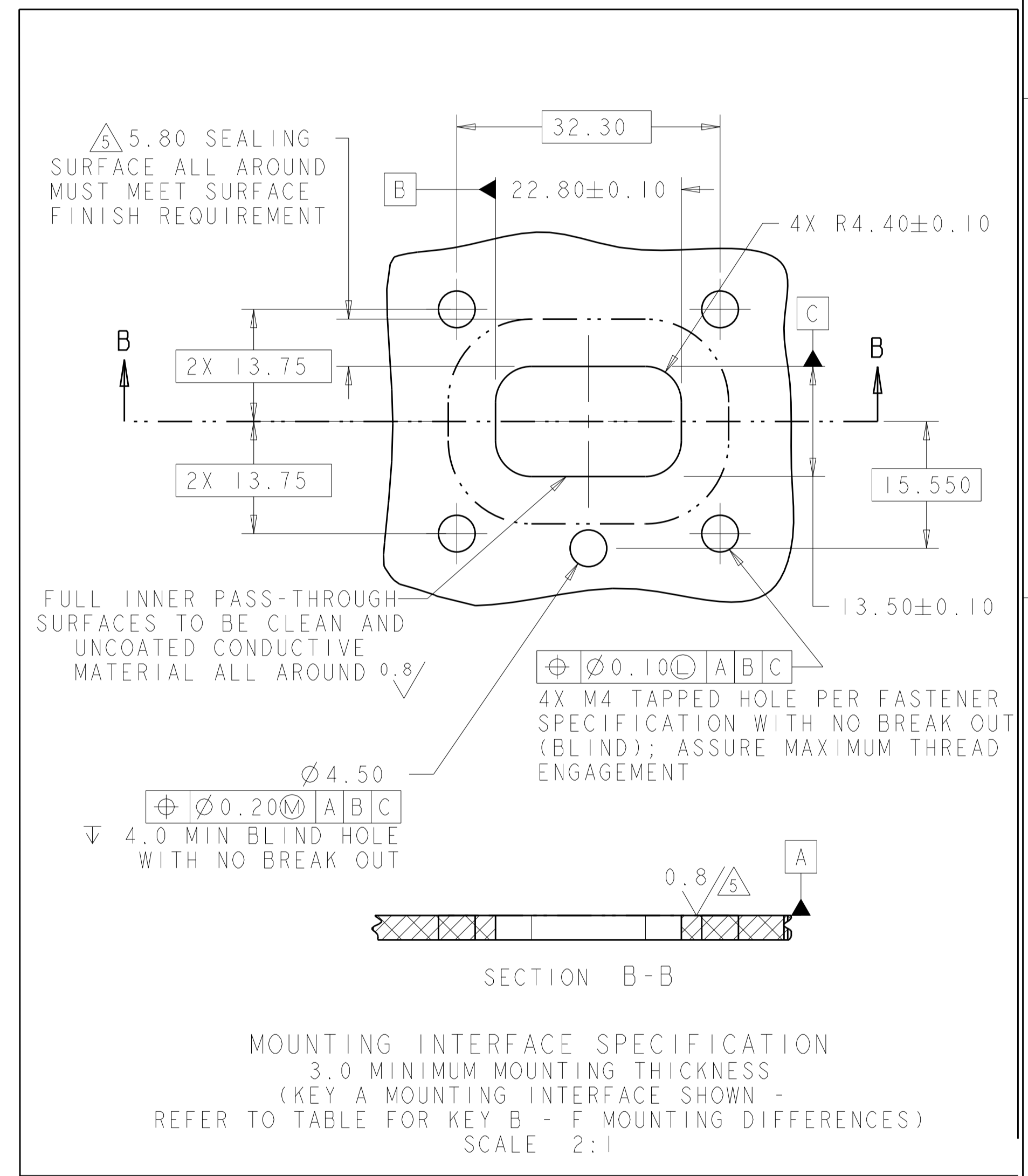
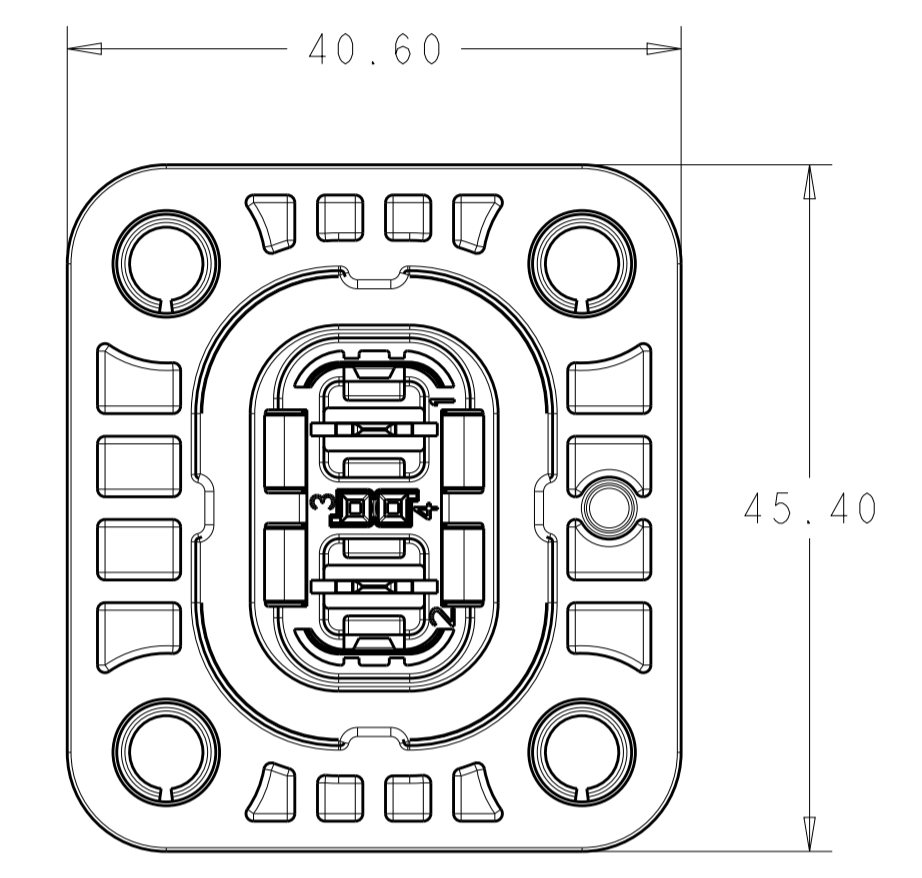
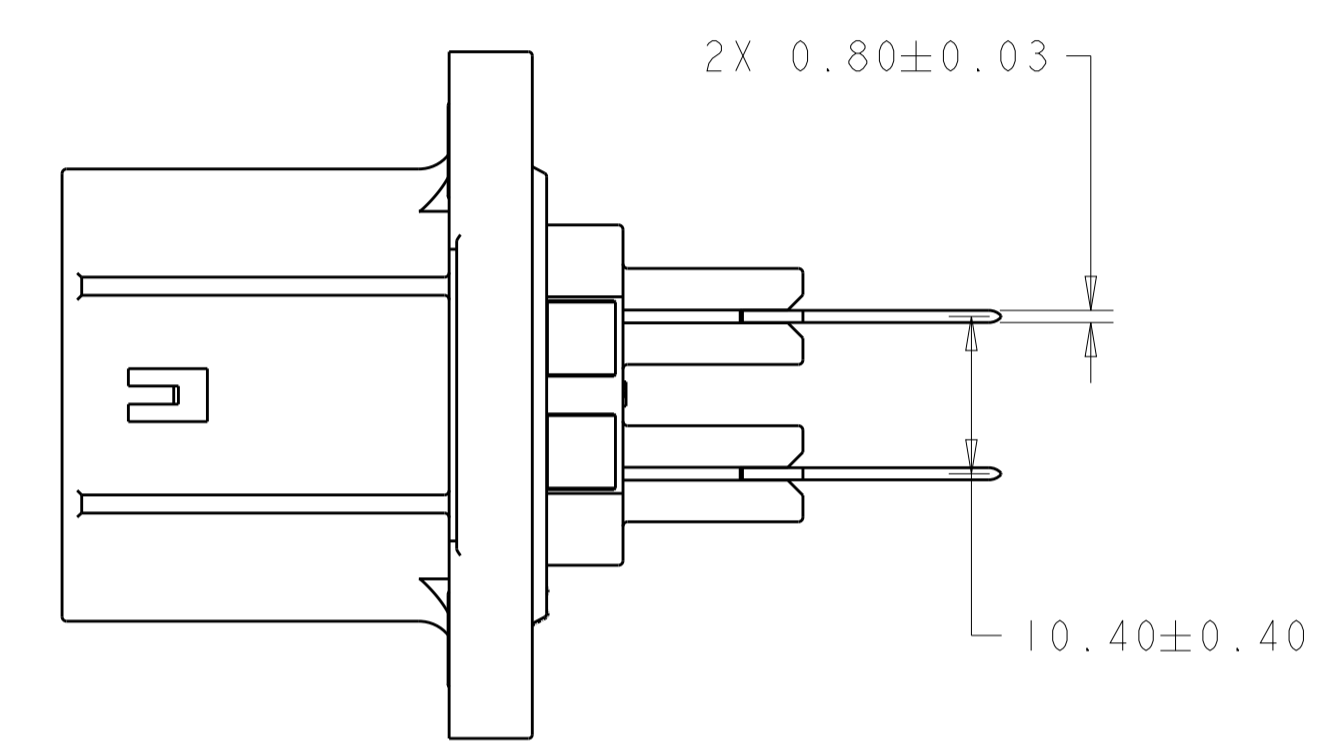
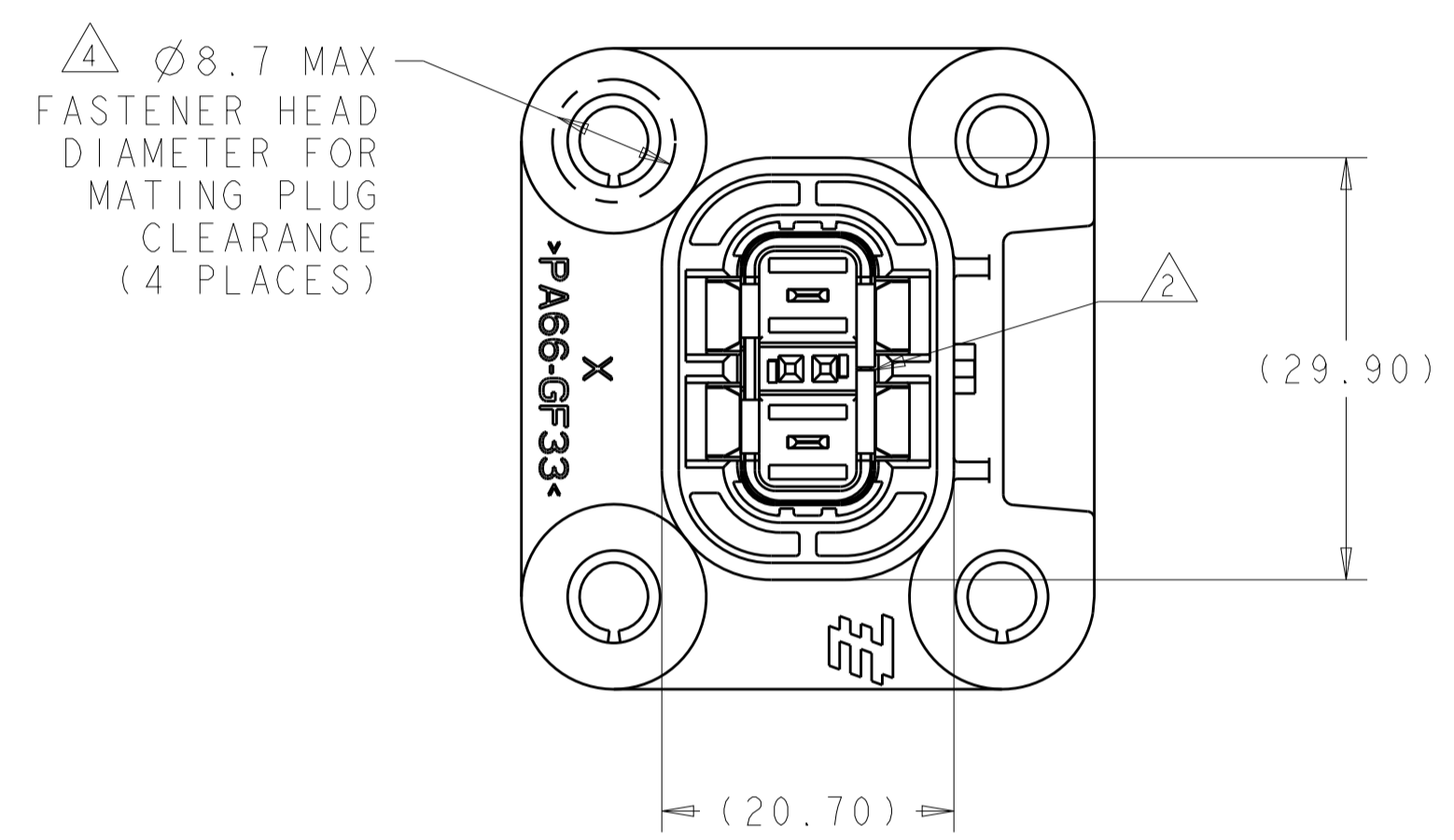
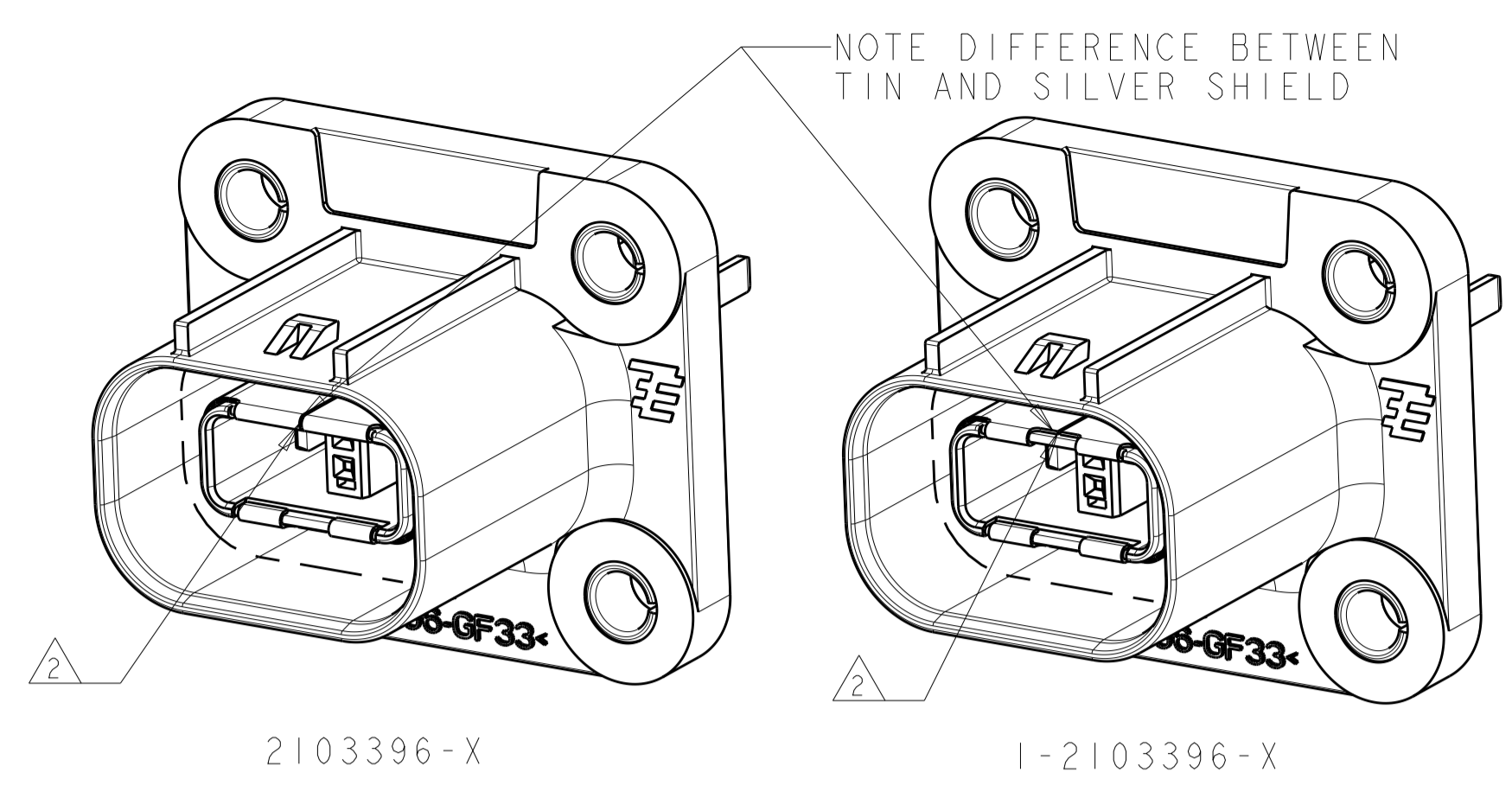


REVISIONS					
P.	LTN	DESCRIPTION	DATE	DMN	APVD
A	ECO-14-011664		28JUL2014	YS	TD



- 1. IDENTIFICATION MARKING ON THIS SURFACE CONTAINS ASSEMBLY P/N AND DATE CODE (YYDD). TEXT ORIENTATION, SIZE, AND LOCATION CAN VARY AS LONG AS TEXT IS ON SURFACE SHOWN AND READABLE.
- 2. SHIELD SEAM CAN BE POSITIONED AS SHOWN OR ROTATED 180° FROM POSITION SHOWN.
- 3. NOTE DELETED
- 4. THESE DIMENSIONS DEFINE FASTENER SIZE LIMITS FOR PROPER COMPONENT FUNCTIONALITY. END USER MUST ENSURE FASTENER AND/OR WASHER DIAMETER IS 8.6 MM MIN FOR PROPER RETENTION. THESE ARE NOT PRODUCT FEATURES - NO INSPECTION REQUIRED FOR THESE ITEMS.
- 5. SURFACE FINISH APPLIES TO AREAS SHOWN IN MOUNTING INTERFACE SPECIFICATION
- 6. USE WITH MQS RECEPTACLE P/N: 963715-6, 963715-5, 928999-6 OR 928999-5, DEPENDING ON WIRE SIZE AND MATING PLUG USED

SHIELD FINISH	INDEX	PART NO
SILVER	F	1-2103396-6
SILVER	E	1-2103396-5
SILVER	D	1-2103396-4
SILVER	B	1-2103396-2
SILVER	A	1-2103396-1
TIN	F	2103396-6
TIN	E	2103396-5
TIN	D	2103396-4
TIN	B	2103396-2
TIN	A	2103396-1

THIS DRAWING IS A CONTROLLED DOCUMENT.

DMN T. DEWILTE 27SEP2012
 CHK T. DEWILTE 28SEP2012
 APVD T. DEWILTE 28SEP2012

DIMENSIONS: mm

TOLERANCES UNLESS OTHERWISE SPECIFIED:

0 PLC	±0.50
1 PLC	±0.50
2 PLC	±0.15
3 PLC	±0.05
4 PLC	±0.05
ANGLES	±0.3
FINISH	

MATERIAL: -

WEIGHT: -

Customer Drawing

NAME: HVA280 2P HEADER ASSY W/HVIL - PLASTIC STITCHED CHART DRAWING

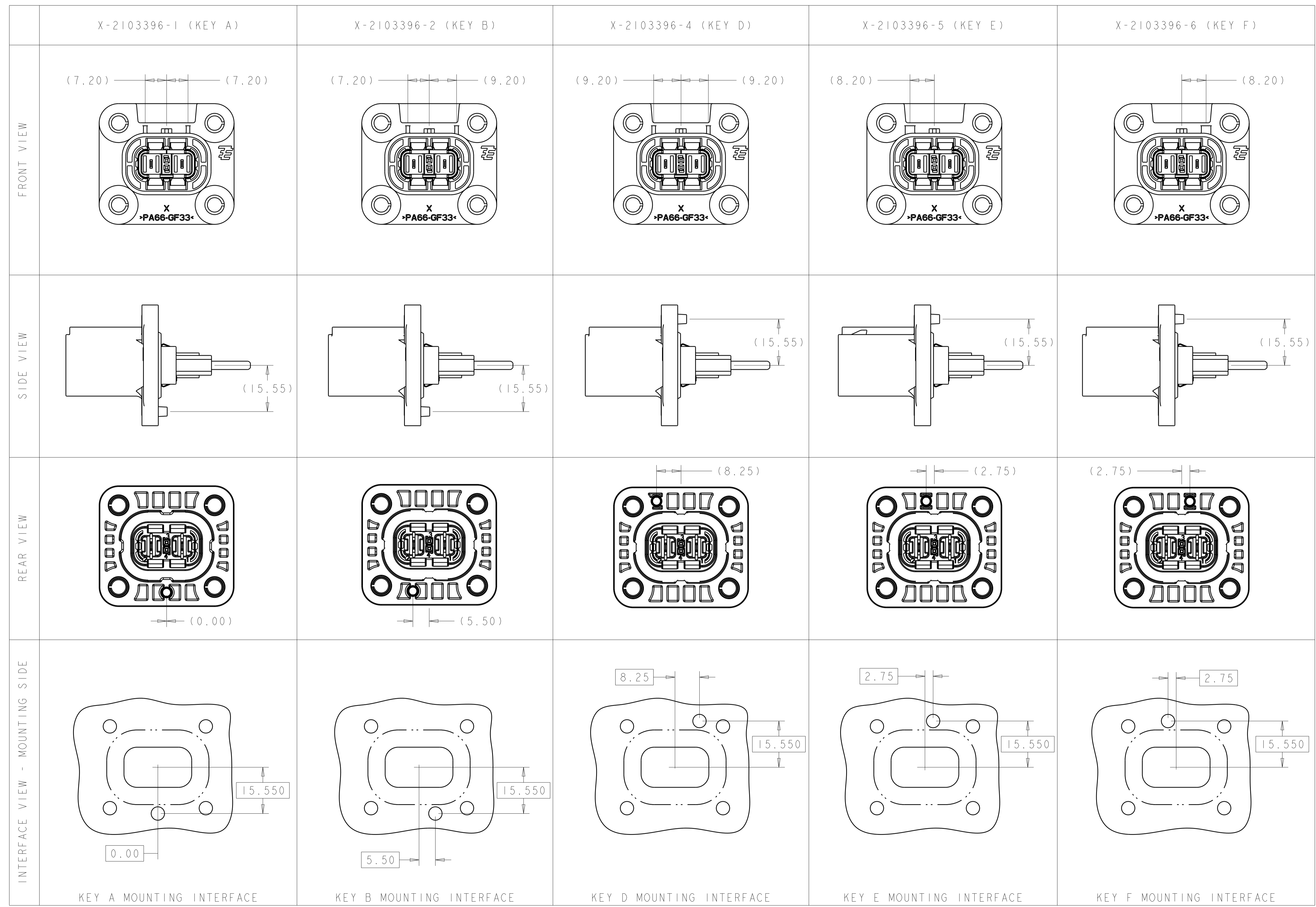
SIZE: A1

SCALE: 2:1

SHEET 1 OF 2

REV A

REVISIONS				
P.	LTN	DESCRIPTION	DATE	APVD
-	-	SEE SHEET 1	-	-



THIS DRAWING IS A CONTROLLED DOCUMENT.		OWN: T. DEWILITE 27SEP2012	TE Connectivity
DIMENSIONS: mm		CHK: T. DEWILITE 28SEP2012	
TOLERANCES UNLESS OTHERWISE SPECIFIED:		APVD: T. DEWILITE 28SEP2012	
0 PLC ±0.50 1 PLC ±0.50 2 PLC ±0.15 3 PLC ±0.05 4 PLC ±0.05 ANGLES ±°		NAME: HVA280 2P HEADER ASSY W/HVIL - PLASTIC STITCHED CHART DRAWING	
MATERIAL: -	FINISH: -	WEIGHT: -	RESTRICTED TO: -
Customer Drawing		SIZE: A1	SCALE: 2:1
		CAGE CODE: 100779	SHEET 2 OF 2
		DRAWING NO: 2103396	REV: A