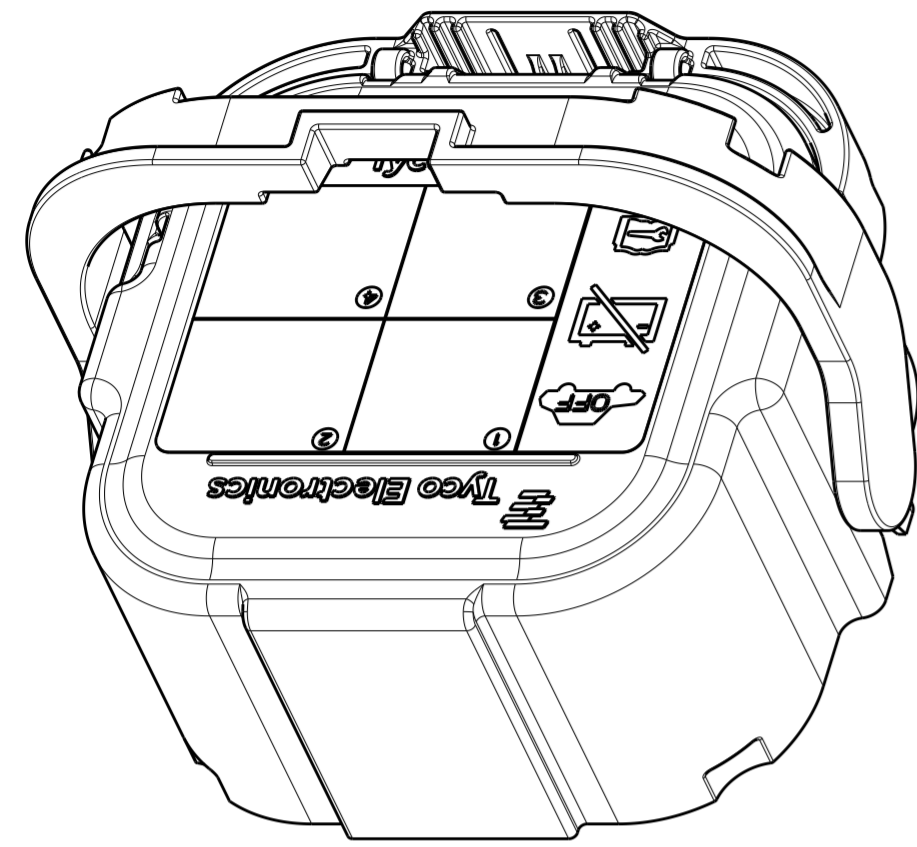
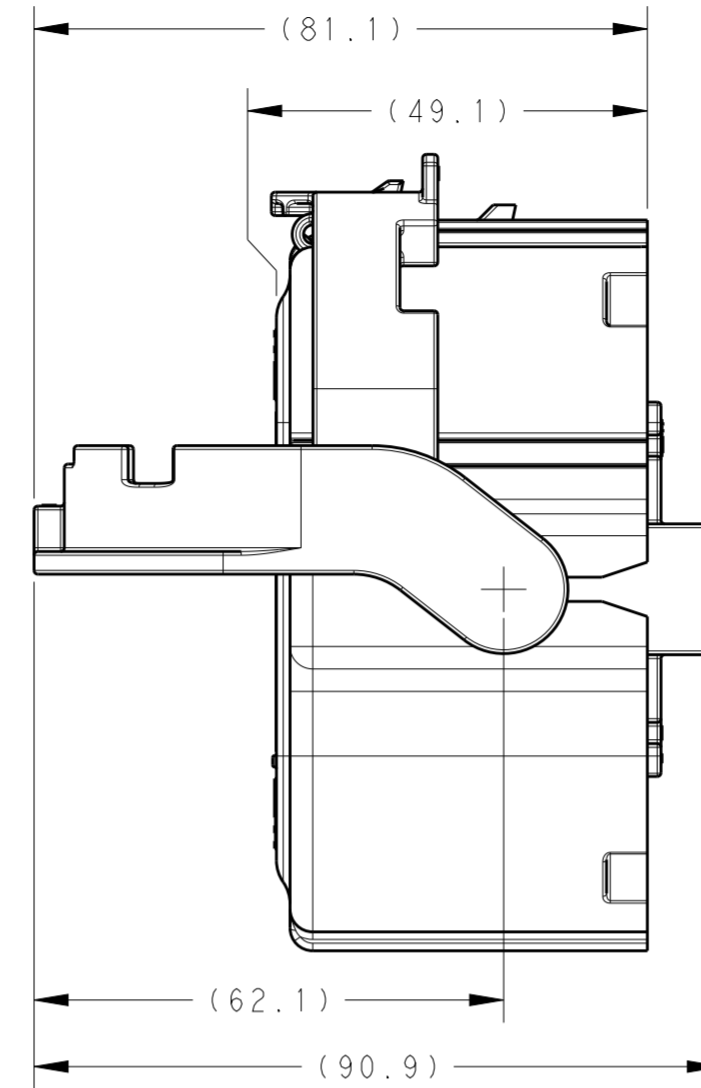
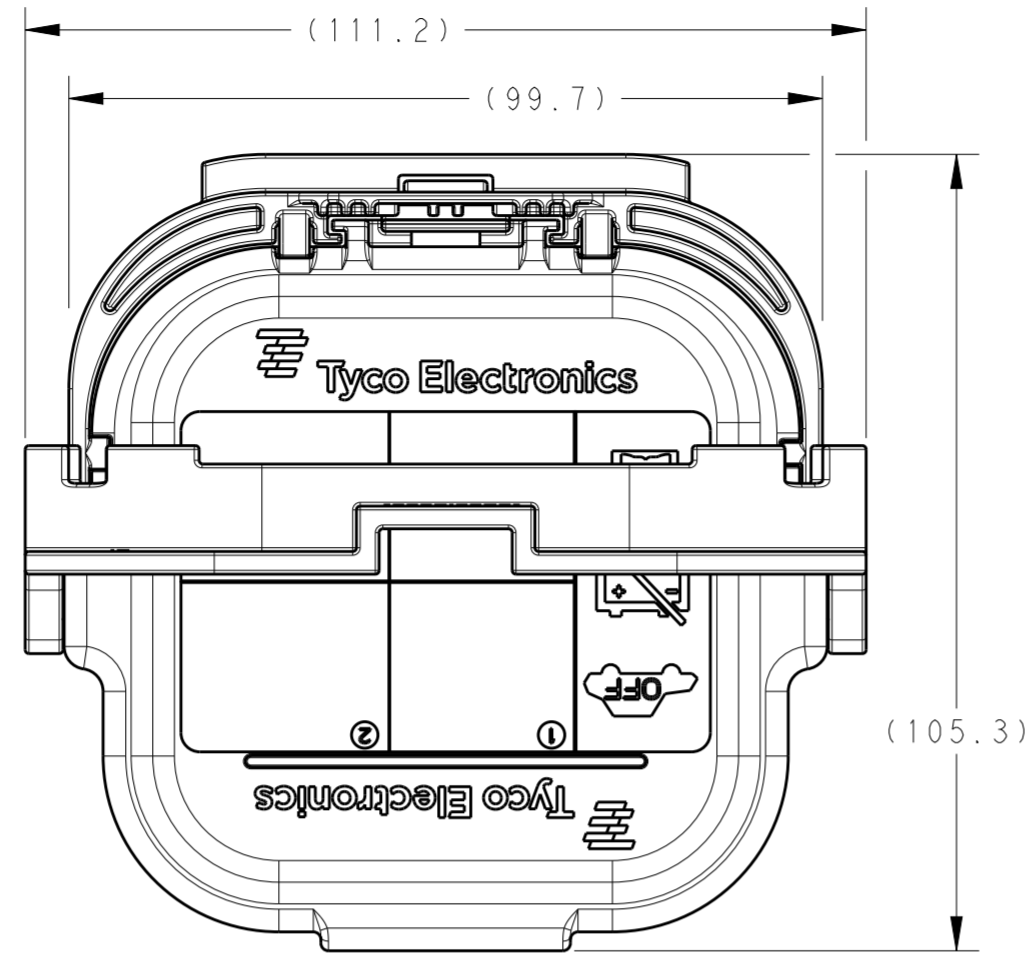


REVISIONS				
P	LTR	DESCRIPTION	DATE	APVD
E2		REVISED PER ECO-15-014756	13OCT2015	DD JS

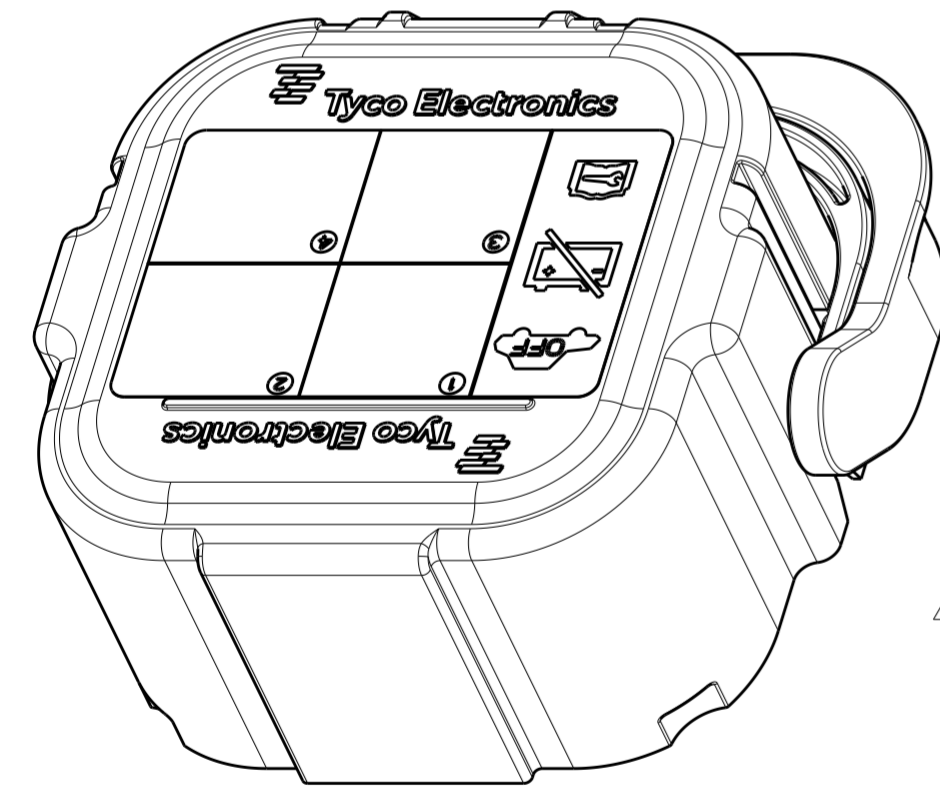
LEVER IN PRE-STAGE POSITION



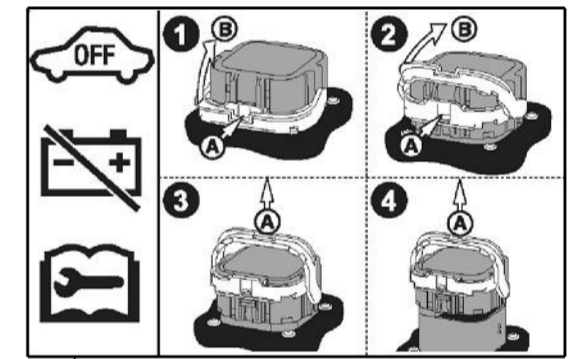
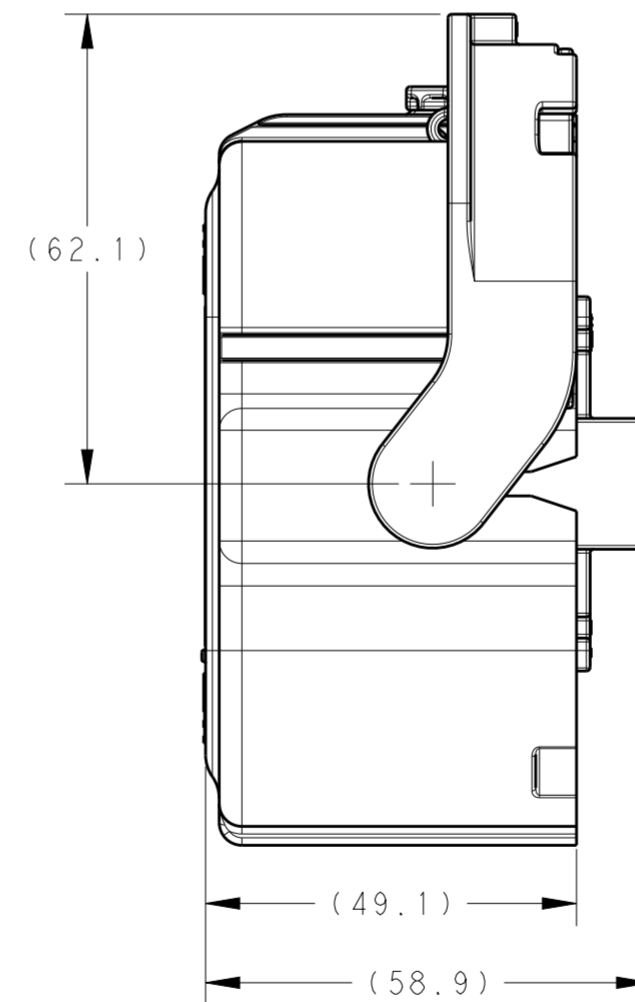
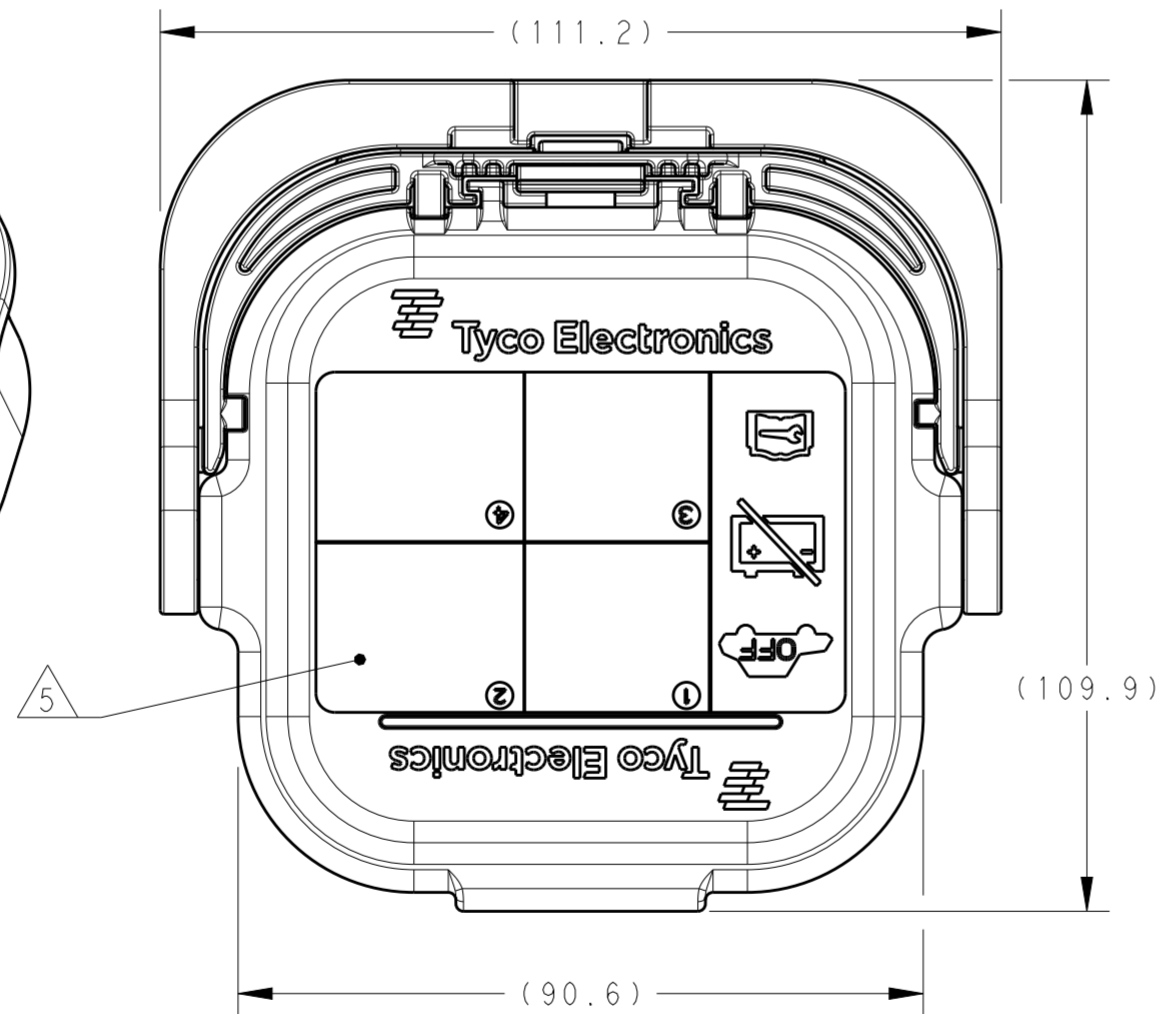
ISOMETRIC VIEW
SCALE 1:1



LEVER IN LOCKED POSITION



ISOMETRIC VIEW
SCALE 1:1



INNER LEVER COLOR	PART WEIGHT (g)	FUSE RATING	PART NO.
NATURAL/OFF-WHITE	261.25	SHUNT	2-2103212-7
NATURAL/OFF-WHITE	525.60	350A (EV)	2-2103212-2
BLACK	525.60	350A (EV)	2-2103212-1
NATURAL/OFF-WHITE	525.60	250A (EV)	1-2103212-9
NATURAL/OFF-WHITE	525.60	200A (EV)	1-2103212-8
BLACK	261.25	SHUNT	1-2103212-7
BLACK	525.60	350A	1-2103212-2
NATURAL/OFF-WHITE	525.60	350A	1-2103212-1
BLACK	525.60	250A	2103212-9
BLACK	525.60	200A	2103212-8

- ① INNER HOUSING MAY BE ASSEMBLED ROTATED 180° FROM AS SHOWN.
- ② ASSEMBLY / WORK INSTRUCTIONS: 408-10432
PRODUCT SPECIFICATION: 108-127000
APPLICATION SPECIFICATION: 501-127000
- ③ NOTE DELETED.
- ④ SEE TABLE AND SHEET 2 FOR FUSE RATINGS AND KEYING.
- ⑤ IMAGE FOR REFERENCE ONLY, SHOWS LABEL ORIENTATION.
- ⑥ ACTUAL APPEARANCE OF LABEL.

THIS DRAWING IS A CONTROLLED DOCUMENT. DIMENSIONING AND TOLERANCING PER ASME Y14.5M-2009

DWN	A BOYER	14JUL2011
CHK	A BOYER	14JUL2011
APVD	A GUANCO	14JUL2011

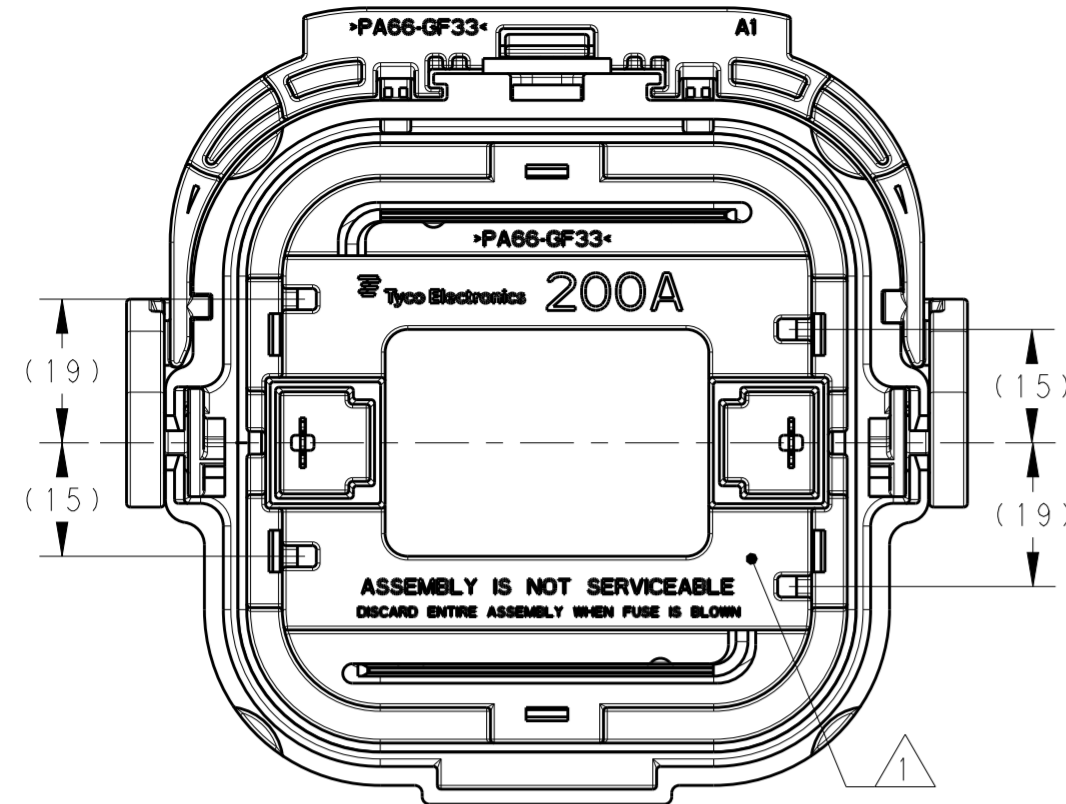
TE Connectivity

PLUG ASSEMBLY
MANUAL SERVICE DISCONNECT

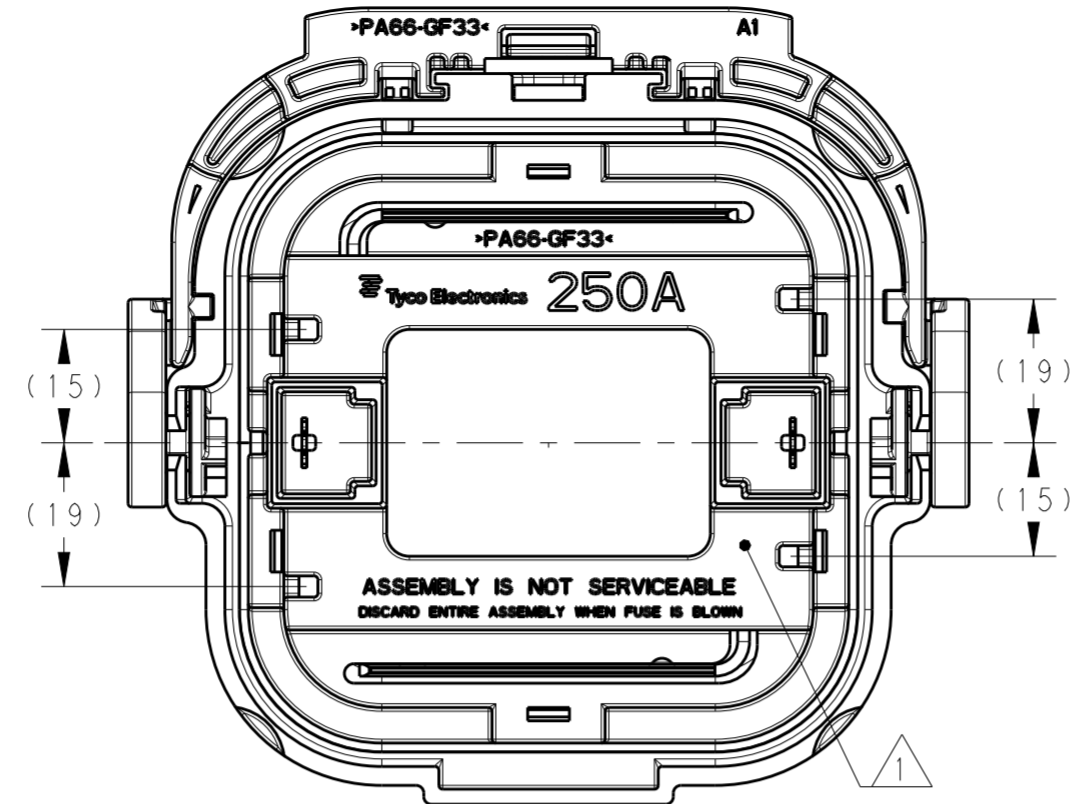
SIZE	CAGE CODE	DRAWING NO	RESTRICTED TO
A2	00779	C-2103212	-

CUSTOMER DRAWING SCALE 1:1 SHEET 1 OF 2 REV E2

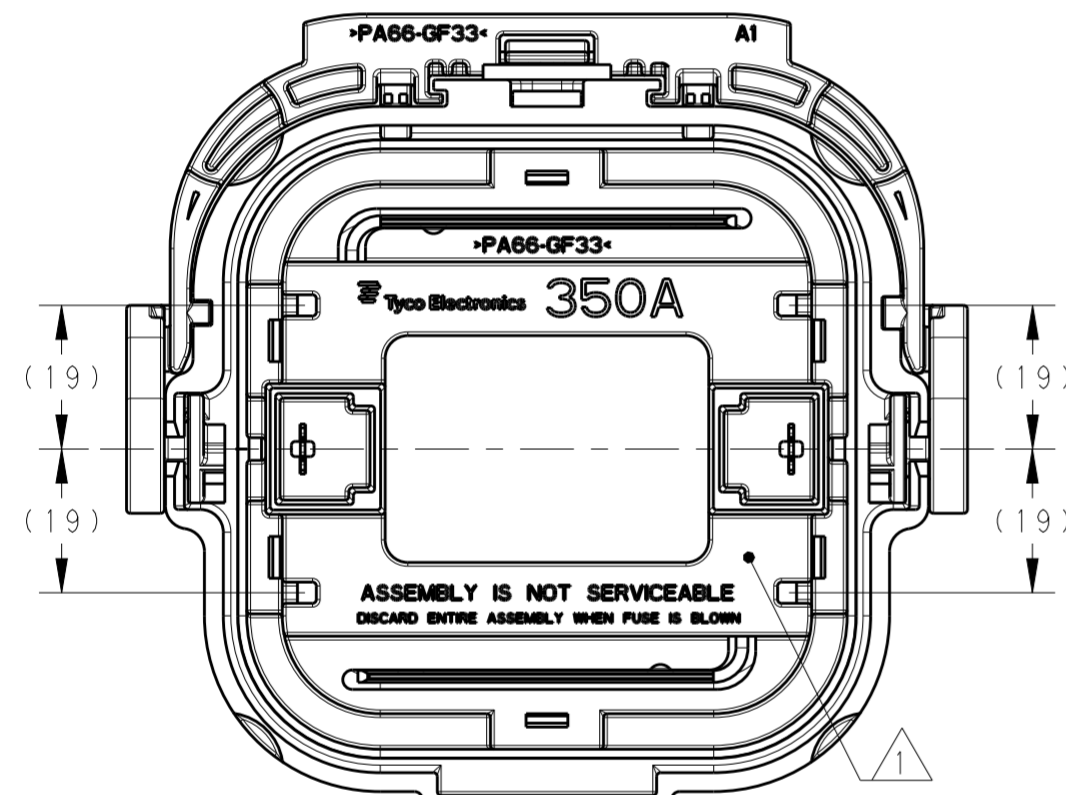
REVISIONS				
P	LTR	DESCRIPTION	DATE	APVD
-	-	SEE SHEET 1	-	-



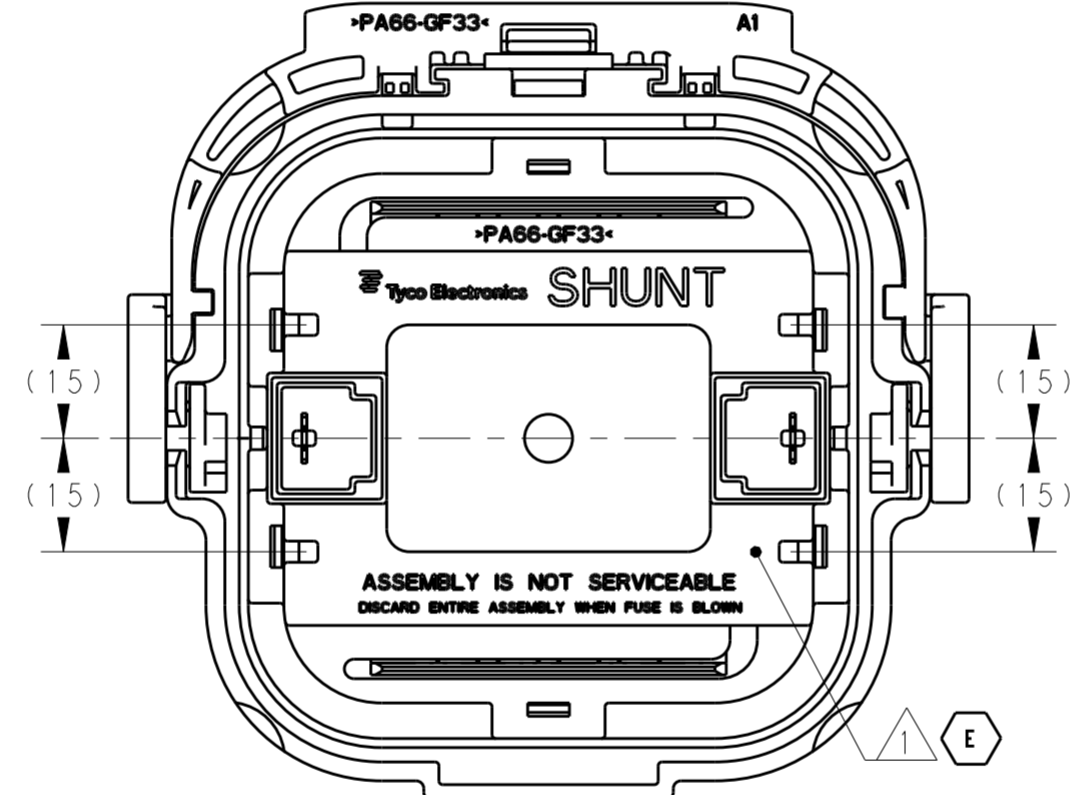
2103212-8 & 1-2103212-8
 FUSE RATING: 200A




2103212-9 & 1-2103212-9
 FUSE RATING: 250A



1-2103212-1, 1-2103212-2, 2-2103212-1
 & 2-2103212-2
 FUSE RATING: 350A



1-2103212-7 & 2-2103212-7
 SHUNT

THIS DRAWING IS A CONTROLLED DOCUMENT. DIMENSIONING AND TOLERANCING PER ASME Y14.5M-2009.		DWN A BOYER 14 JUL 2011	 TE Connectivity	NAME		
DIMENSIONS: mm		CHK A BOYER 14 JUL 2011		PLUG ASSEMBLY MANUAL SERVICE DISCONNECT		
TOLERANCES UNLESS OTHERWISE SPECIFIED:		APVD A GUANCO 14 JUL 2011		SIZE	CAGE CODE	DRAWING NO
0 PLC ±	1 PLC ±	PRODUCT SPEC		A200779	C-2103212	RESTRICTED TO
2 PLC ±	3 PLC ±	APPLICATION SPEC	SCALE 1:1 SHEET 2 OF 2 REV E2			
4 PLC ±	ANGLES ±	WEIGHT	CUSTOMER DRAWING			
FINISH		SEE TABLE				