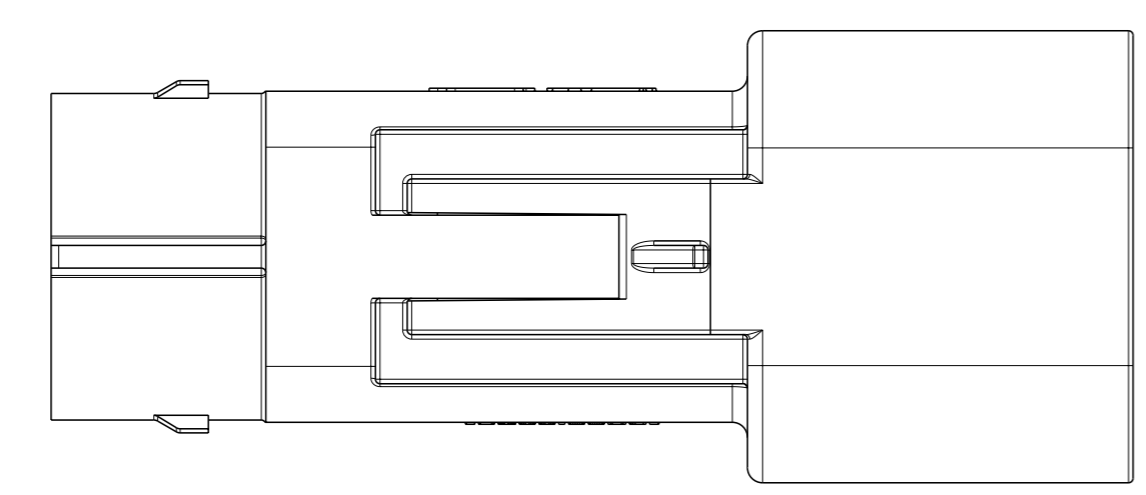
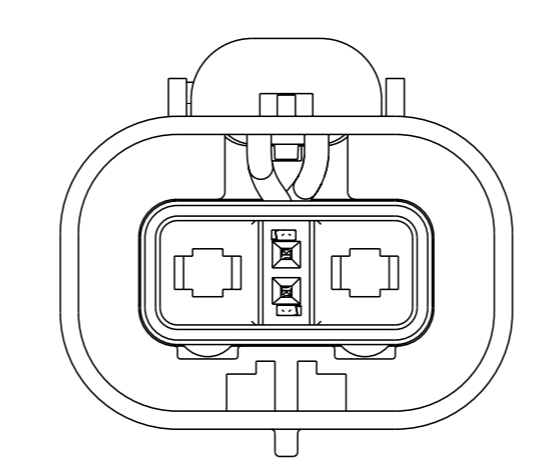
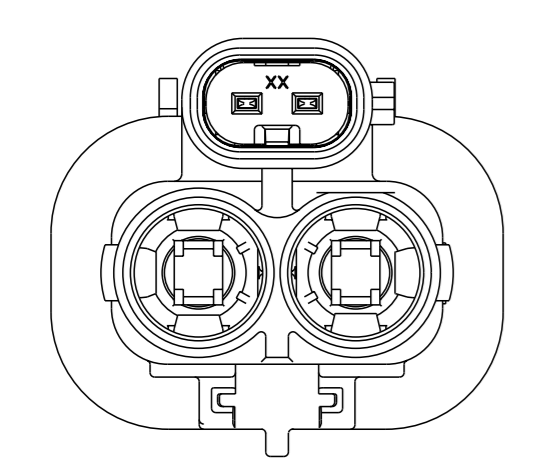
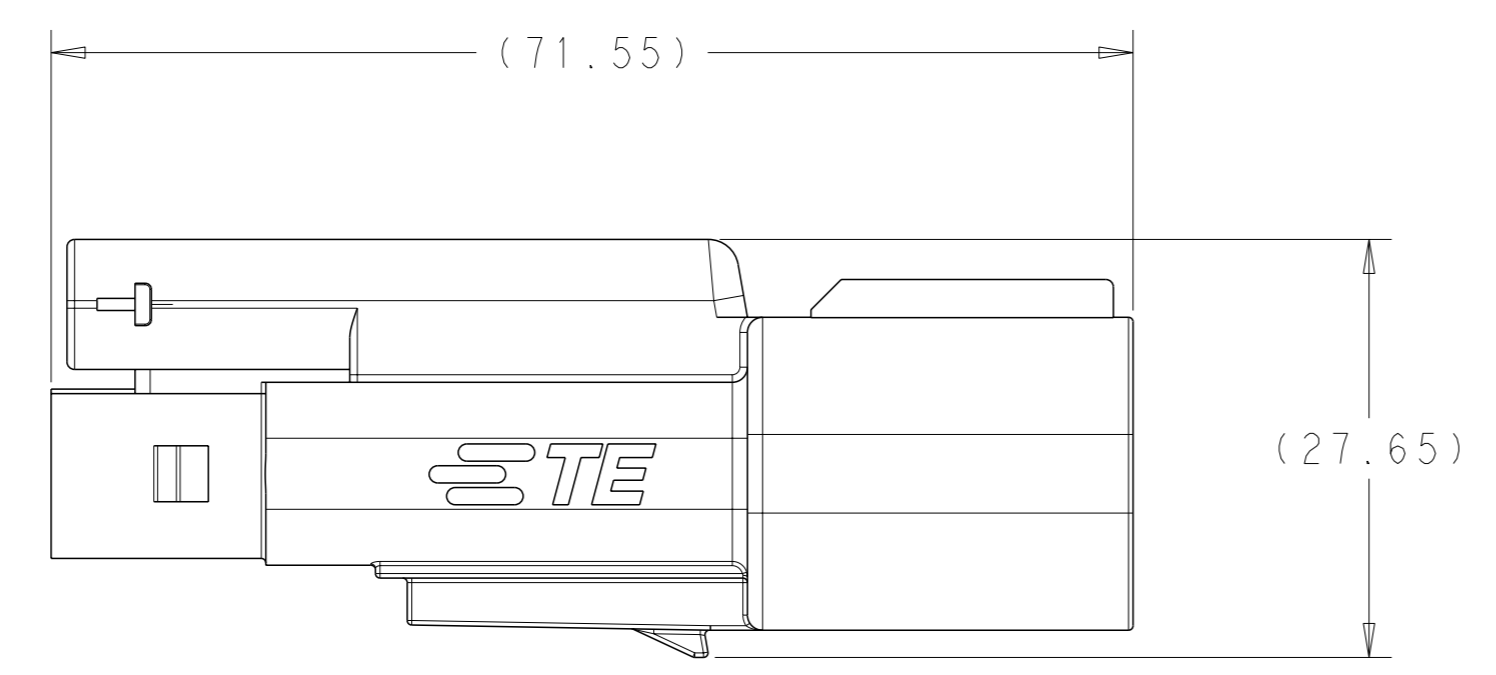
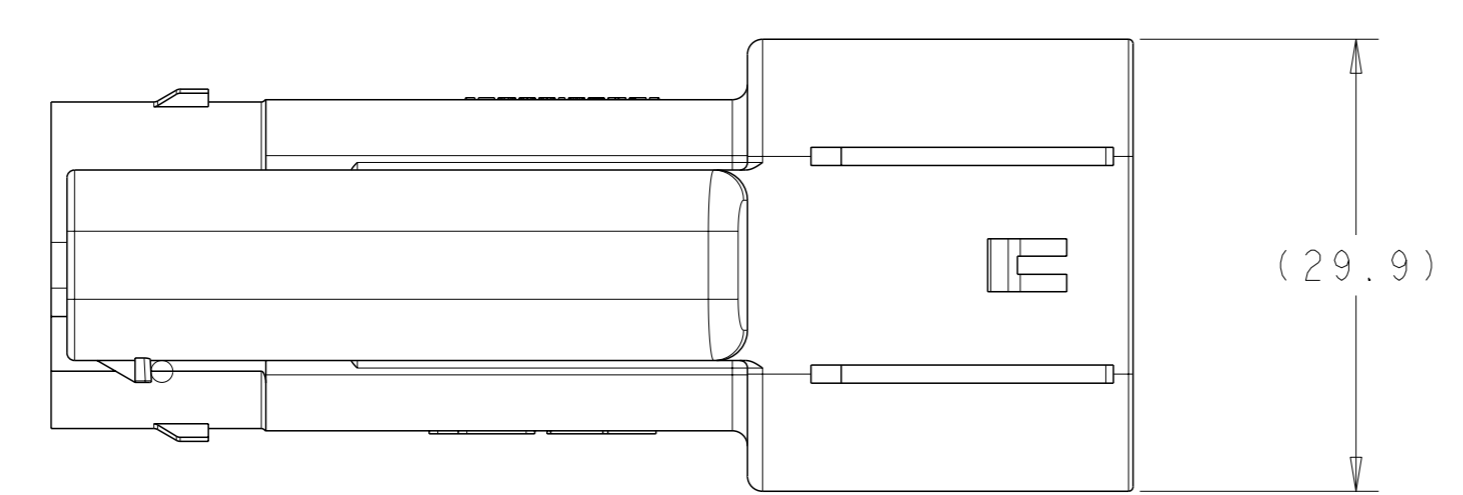
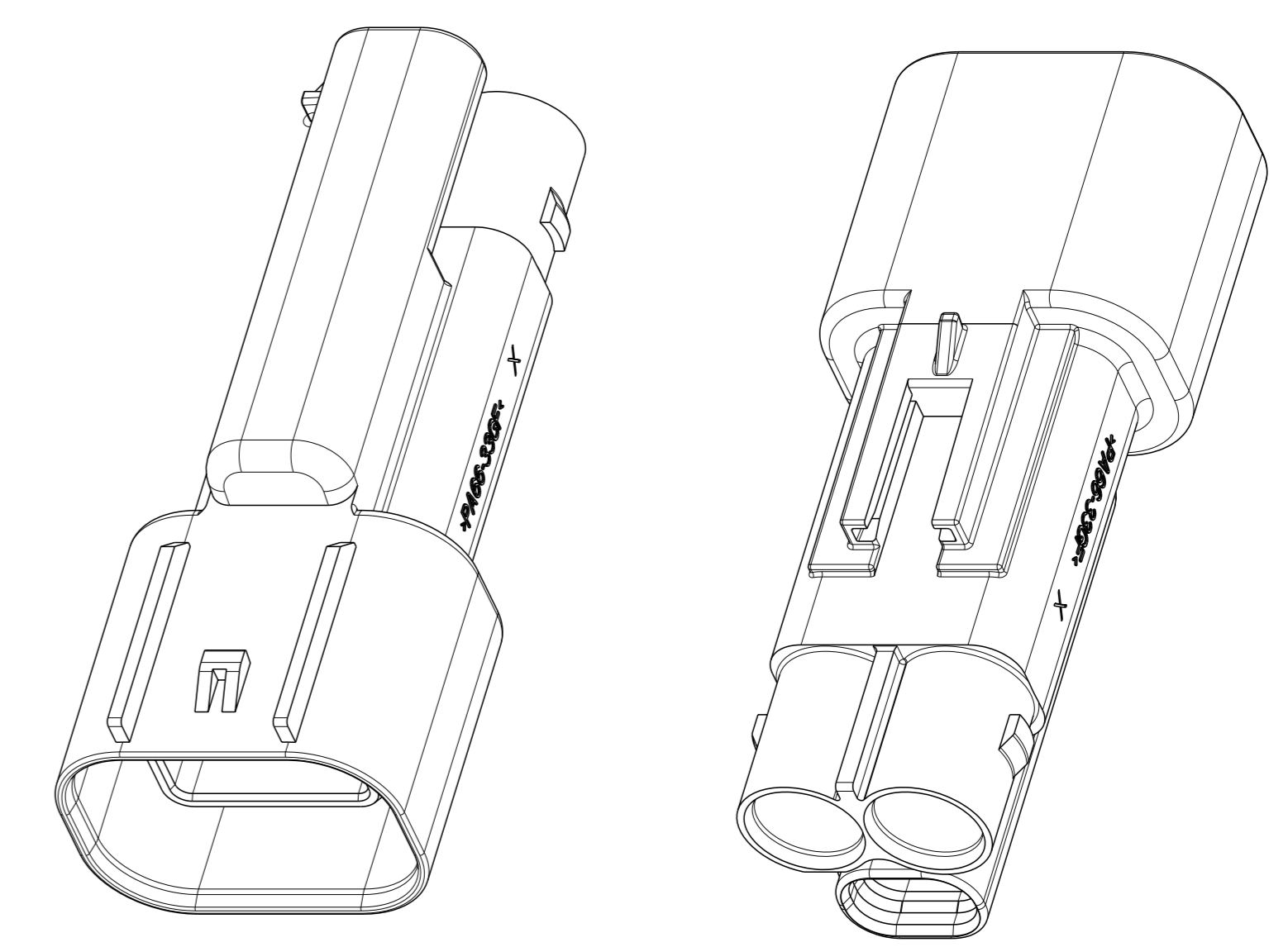
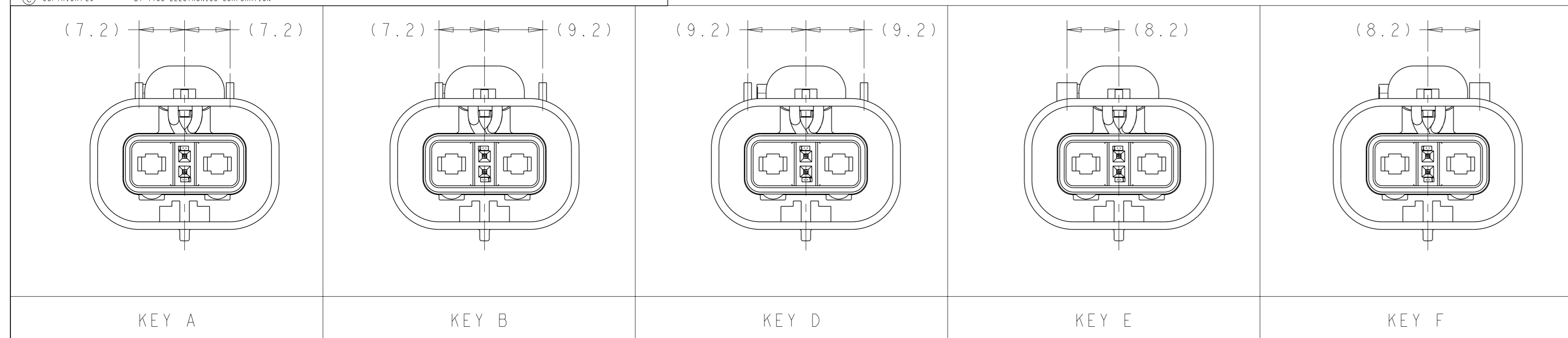


REVISIONS				
#	DATE	DESCRIPTION	DATE	APPROVED
A	10APR2014	ECO-14-005495	AD	AD
A1	10JUN2020	ECO-20-008087	CN	AC



DESCRIPTION	PART NO
CAP SUBASSEMBLY, KEY F, HVA280 2PHI	2103191-6
CAP SUBASSEMBLY, KEY E, HVA280 2PHI	2103191-5
CAP SUBASSEMBLY, KEY D, HVA280 2PHI	2103191-4
CAP SUBASSEMBLY, KEY B, HVA280 2PHI	2103191-2
CAP SUBASSEMBLY, KEY A, HVA280 2PHI	2103191-1

THIS DRAWING IS A CONTROLLED DOCUMENT.		OWN: A DE CHAZAL 08DEC2011	TE Connectivity
DIMENSIONS: mm		CHK: A DE CHAZAL 08DEC2011	
TOLERANCES UNLESS OTHERWISE SPECIFIED:		APVD: -	NAME: CAP SUBASSY, HVA280-2PHI
0 PLC ±	1 PLC ±0.5	PRODUCT SPEC	SIZE: -
2 PLC ±0.13	3 PLC ±0.013	108-32085	CAGE CODE: -
4 PLC ±0.001	ANGLES ±0.0001	APPLICATION SPEC	DRAWING NO: 114-32033
FINISH: -		WEIGHT: -	RESTRICTED TO: A1
MATERIAL: -		CUSTOMER DRAWING	SCALE: 2:1 SHEET 1 OF 1 REV: A1