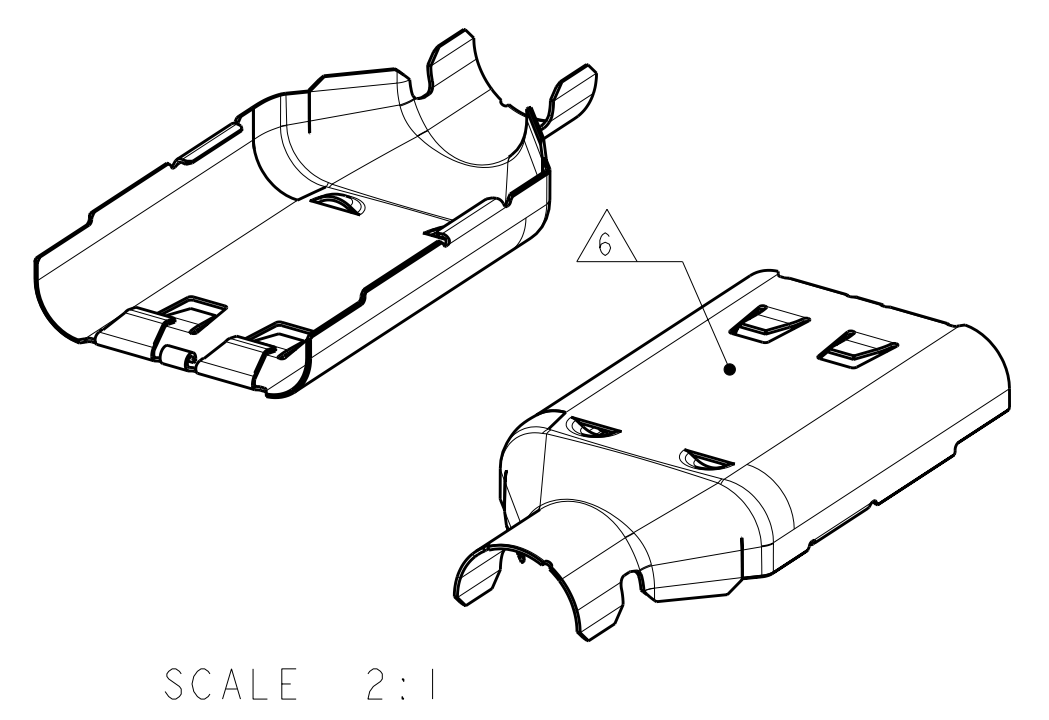
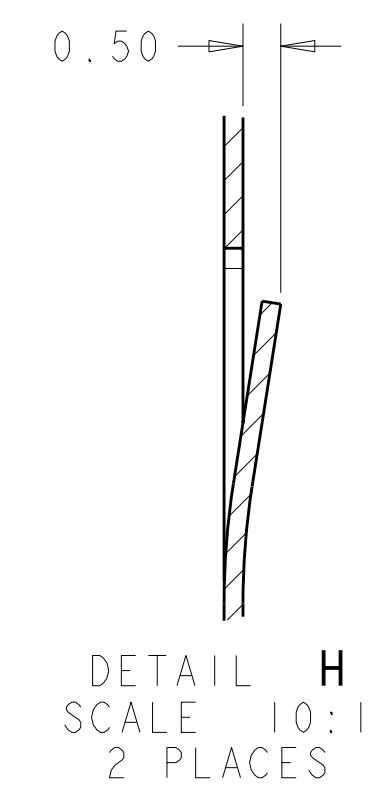
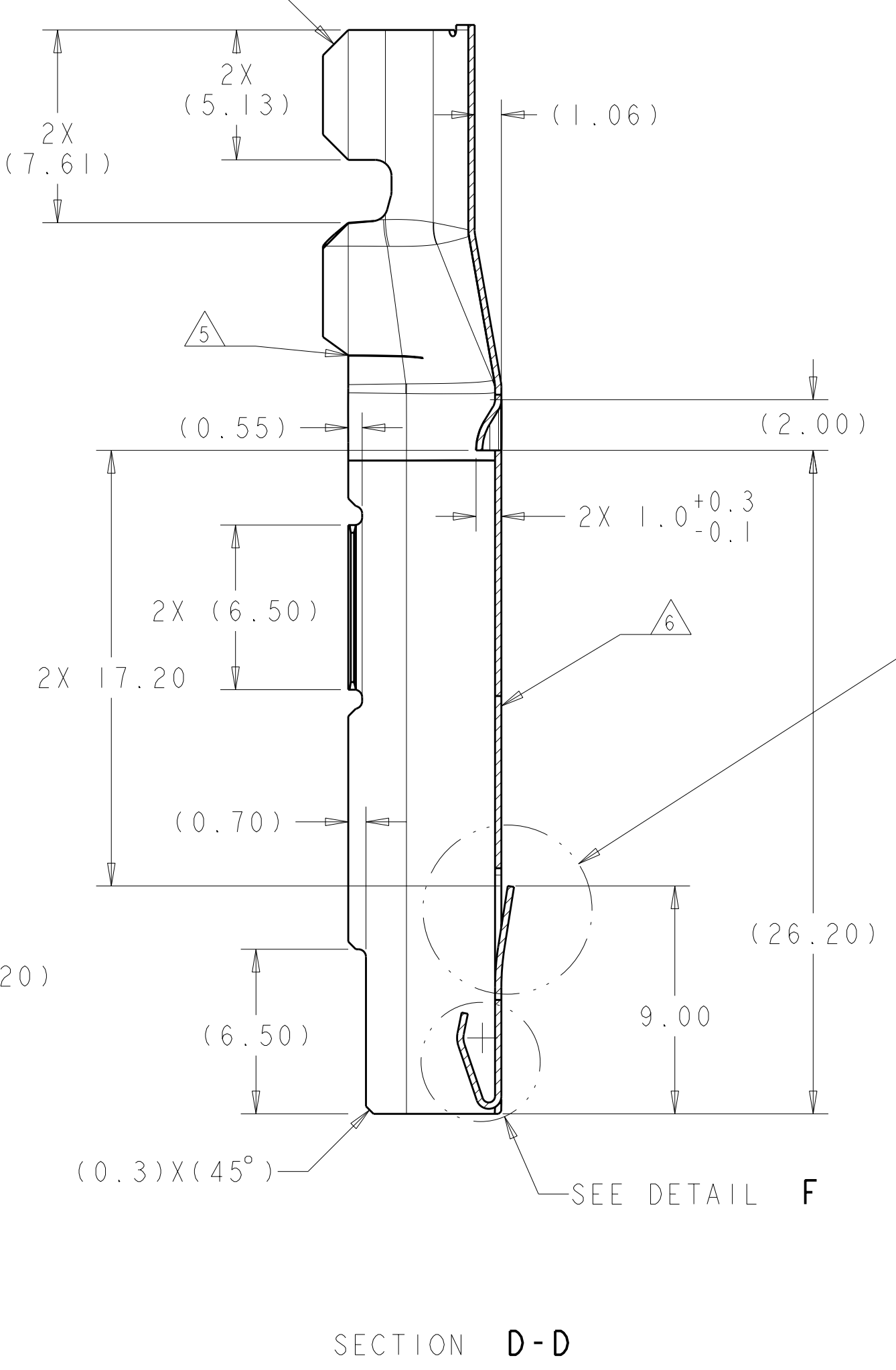
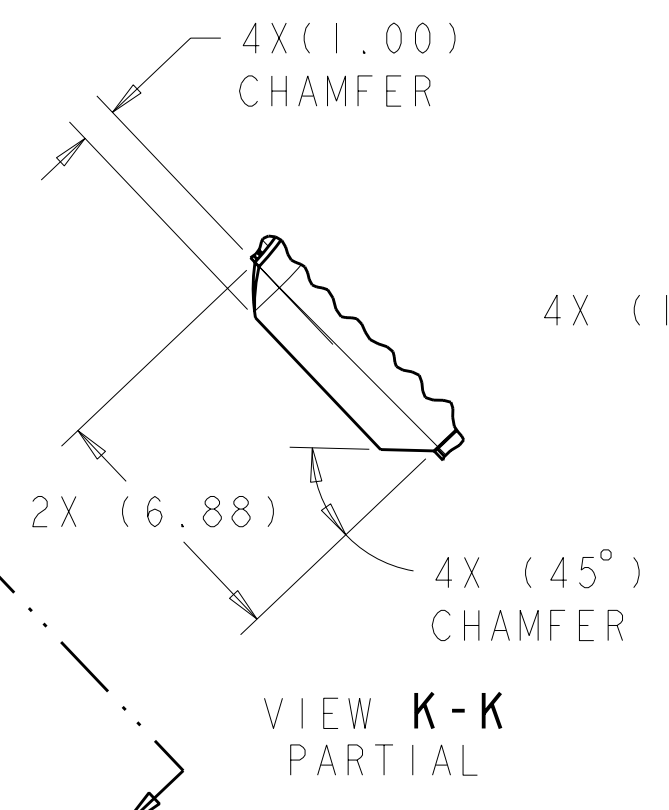
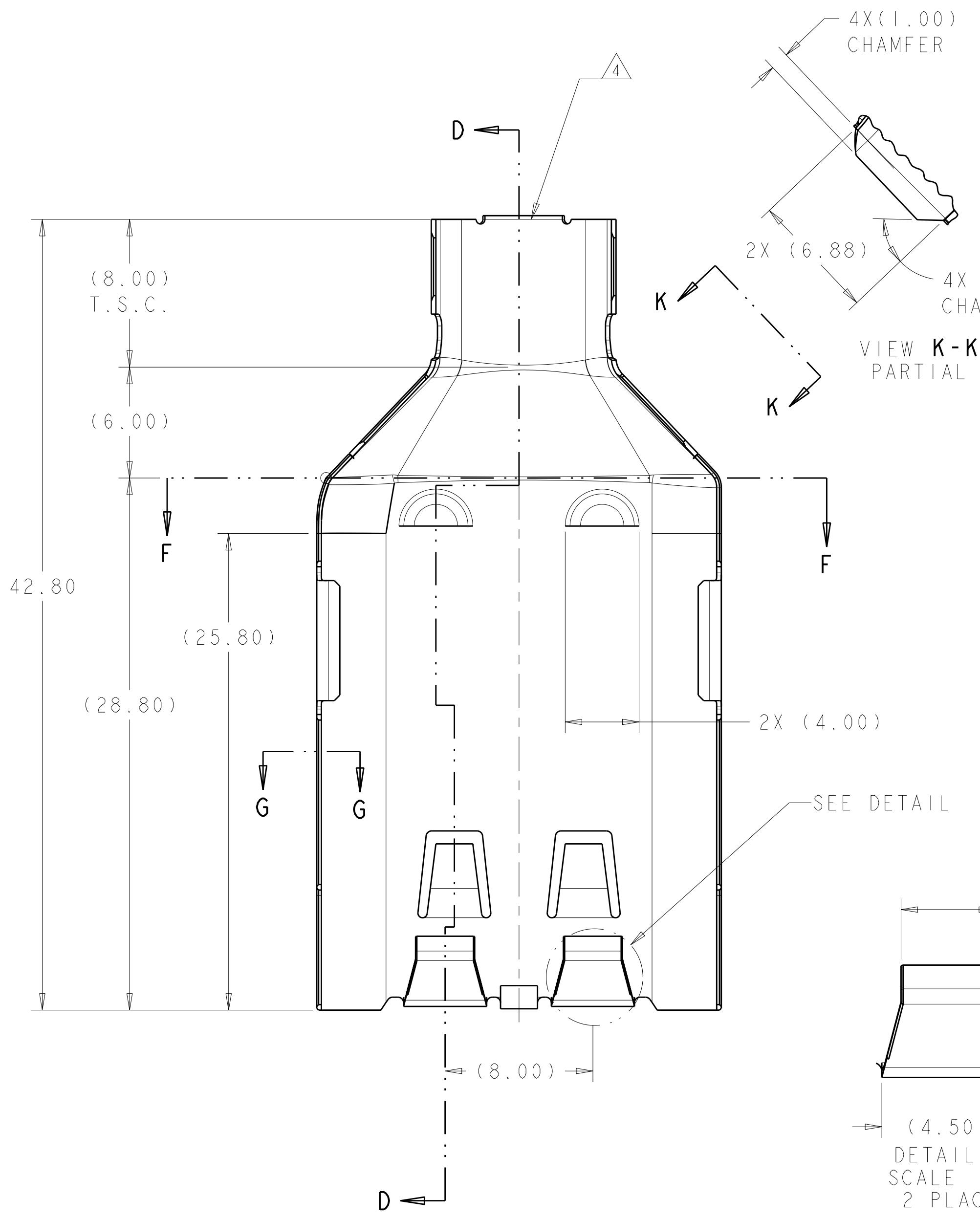
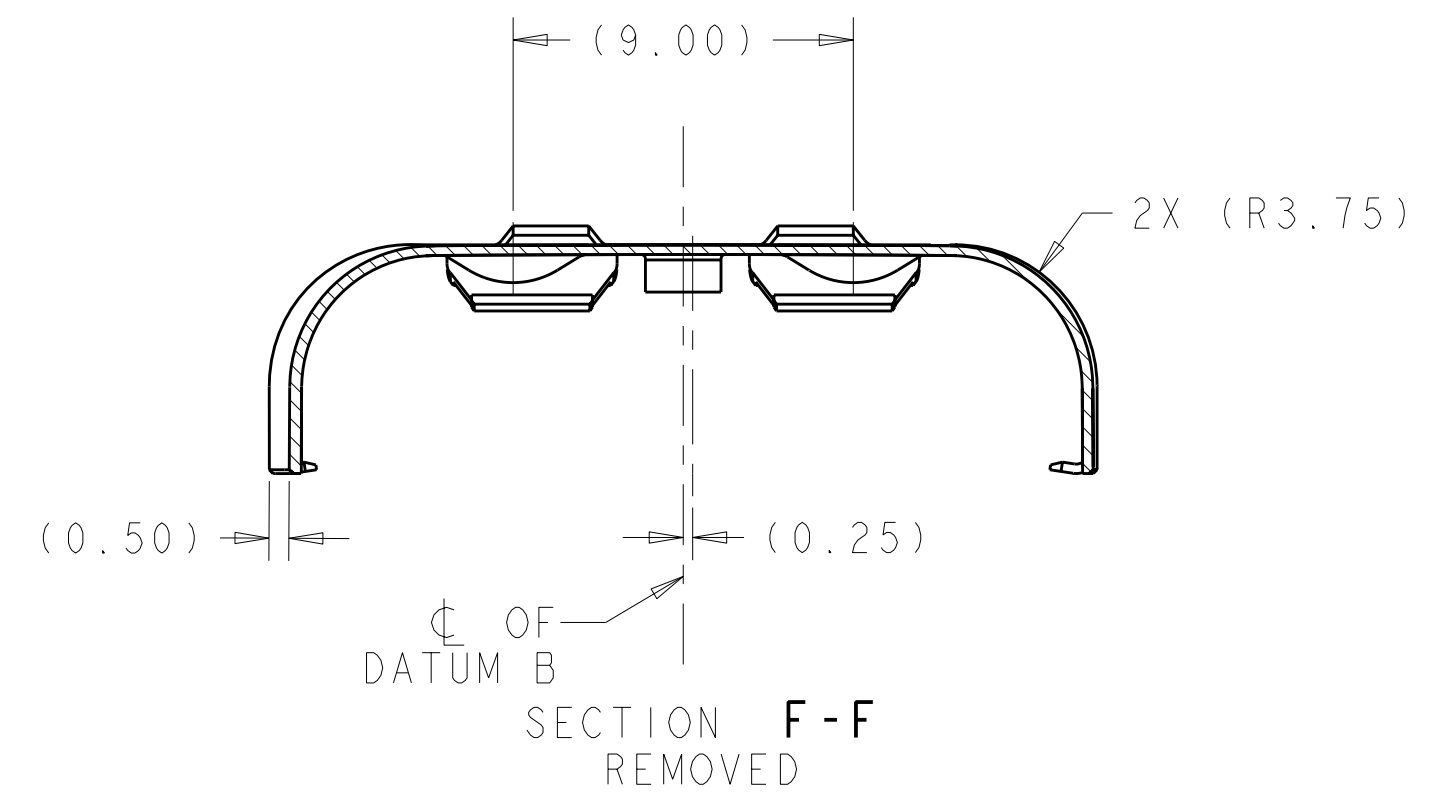
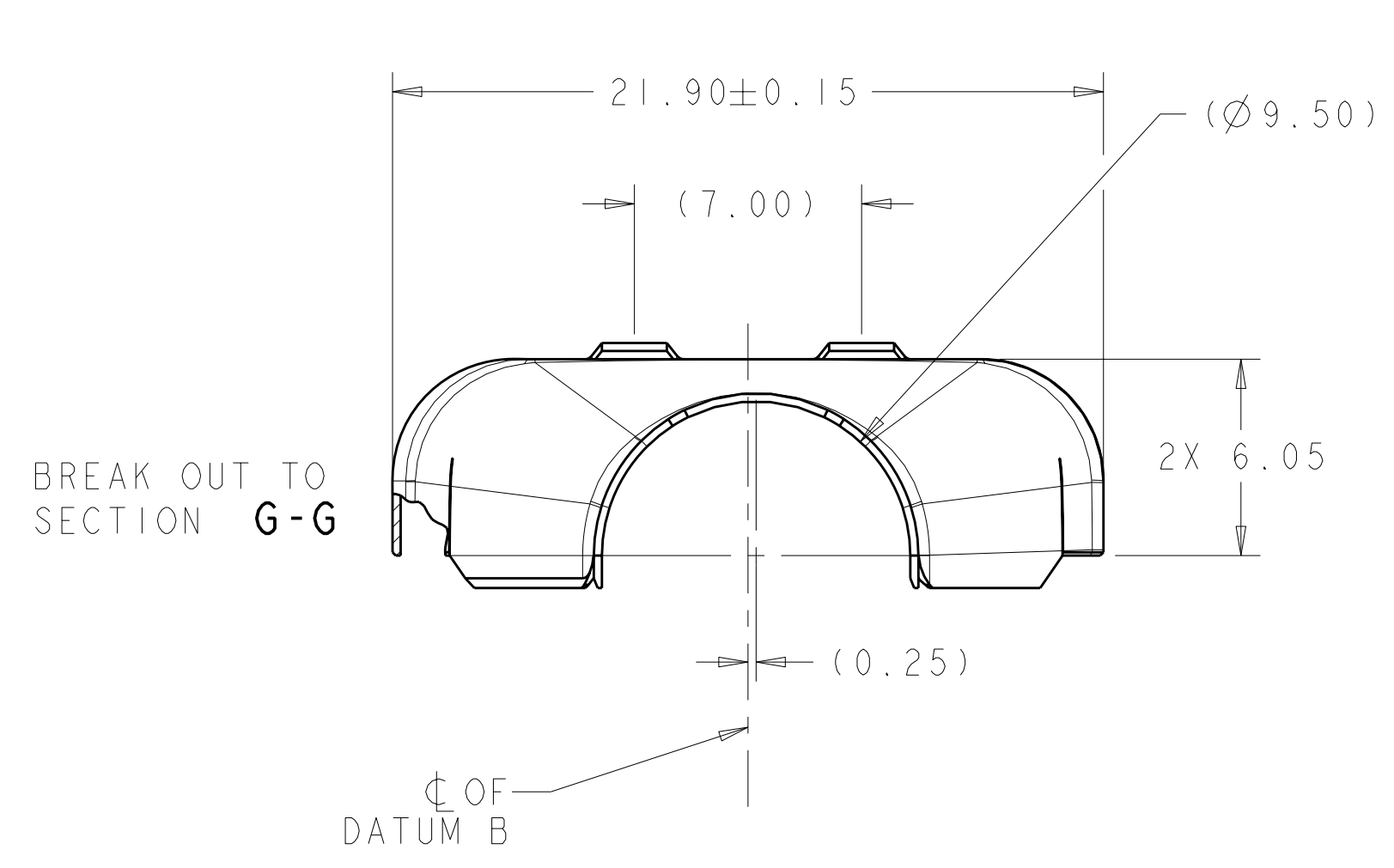
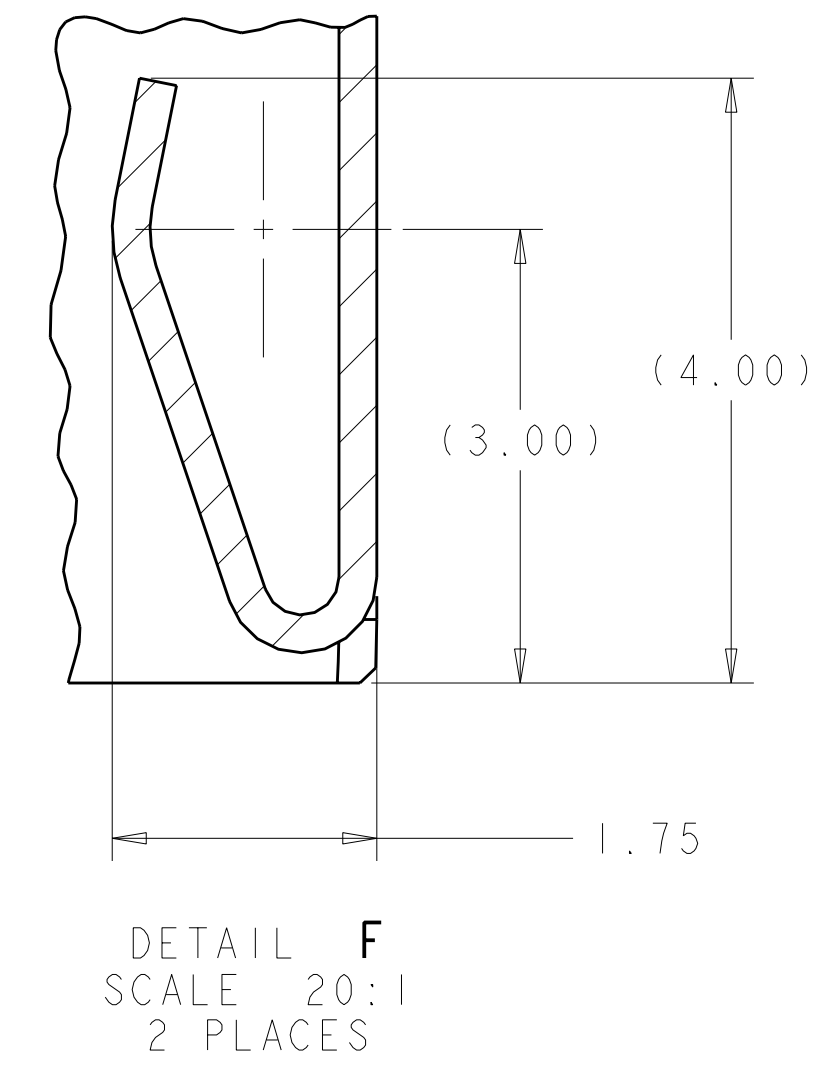
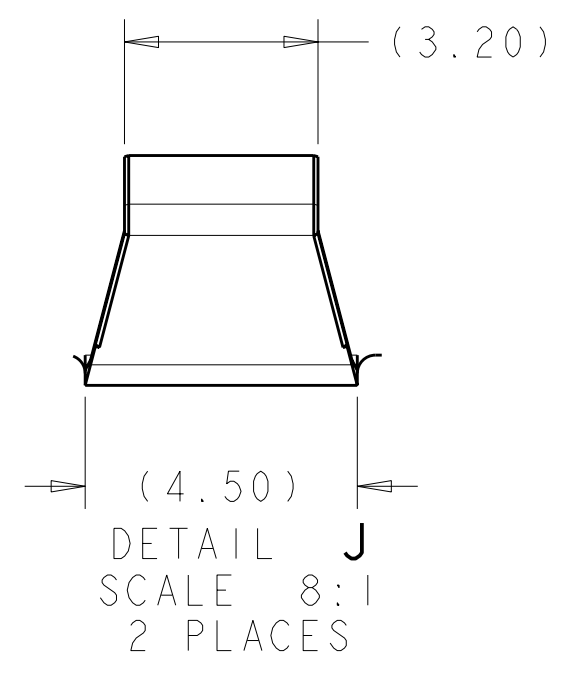


LOC	DIST	REV	DATE	BY	APPD
HV	00	A	21MAR2012	DS	AT



- 1 MATERIAL TYPE: SILVER PLATED COPPER ALLOY
- 2. PART MUST BE FREE OF EXCESSIVE BURRS, CRACKS, OR OTHER VISUAL IMPERFECTIONS THAT MAY AFFECT FIT OR FUNCTION
- 3. FEATURES DENOTED BY REFERENCE DIMENSIONS MUST BE CHECKED FOR PRESENCE
- 4 0.20 MAX CUT OFF TAB LENGTH
- 5 2X BUTTED SEAM IN THIS AREA. NO GAP ALLOWED.
- 6 PART NUMBER APPEARS ON THIS SURFACE



2103183-1  
 PART NO

THIS DRAWING IS A CONTROLLED DOCUMENT. DIMENSIONING AND TOLERANCING PER ASME Y14.5M-2009.		DWN: D SIMPSON 14FEB2011	TE Connectivity NAME: SHIELD, PLUG, HVA280-3PXM
DIMENSIONS: mm		CHK: A TYLER 14FEB2011	
TOLERANCES UNLESS OTHERWISE SPECIFIED:		APVD: J ROEWITZ 14FEB2011	PRODUCT SPEC: -
0 PLC ±0.15	1 PLC ±0.10	APPLICATION SPEC: -	SIZE: -
2 PLC ±0.10	3 PLC ±0.05	WEIGHT: -	RESTRICTED TO: -
4 PLC ±0.05	ANGLES ±1°	CUSTOMER DRAWING	SCALE: 5:1 SHEET 1 OF 1 REV A