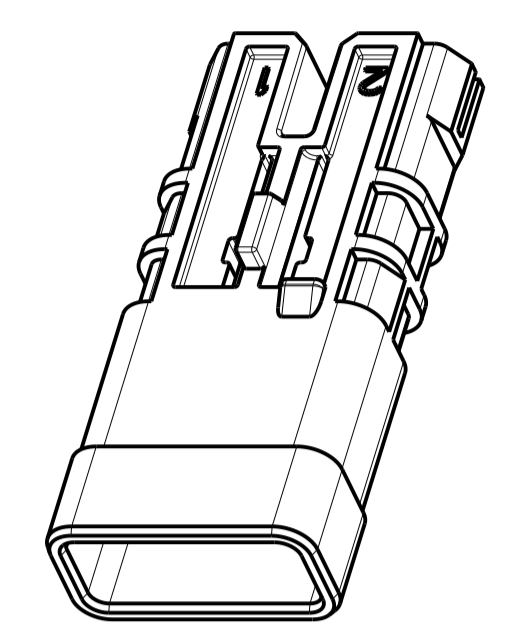
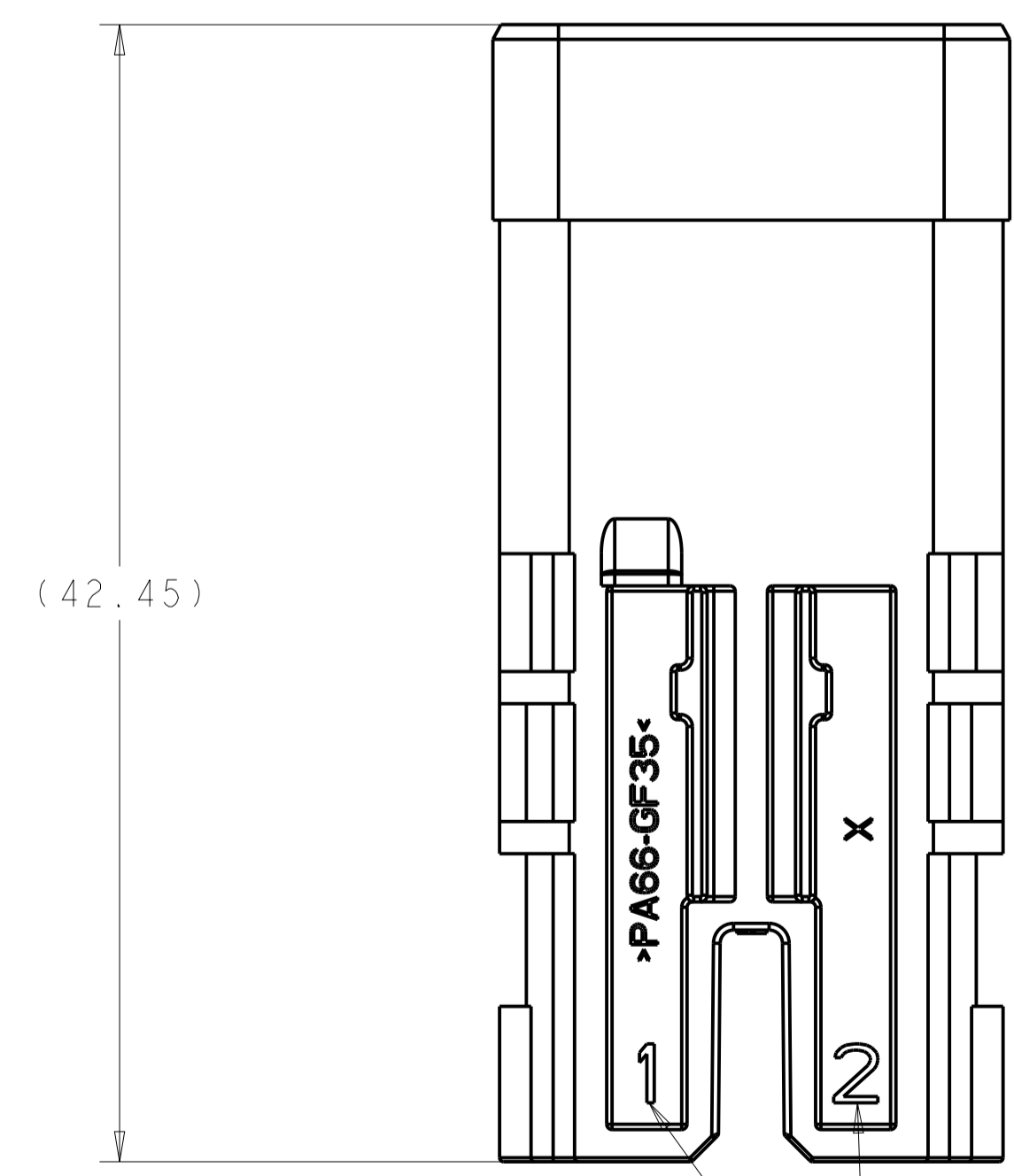
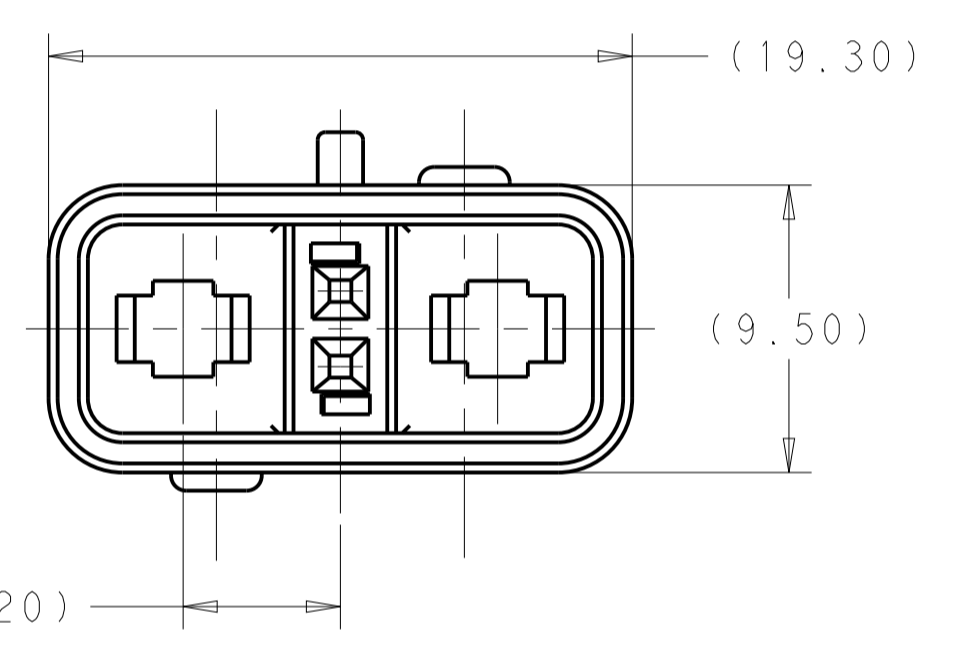
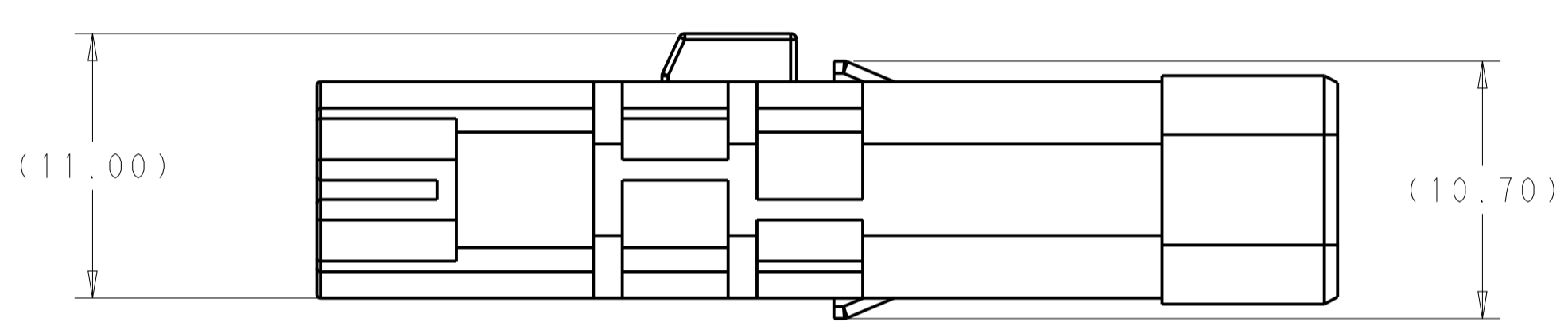
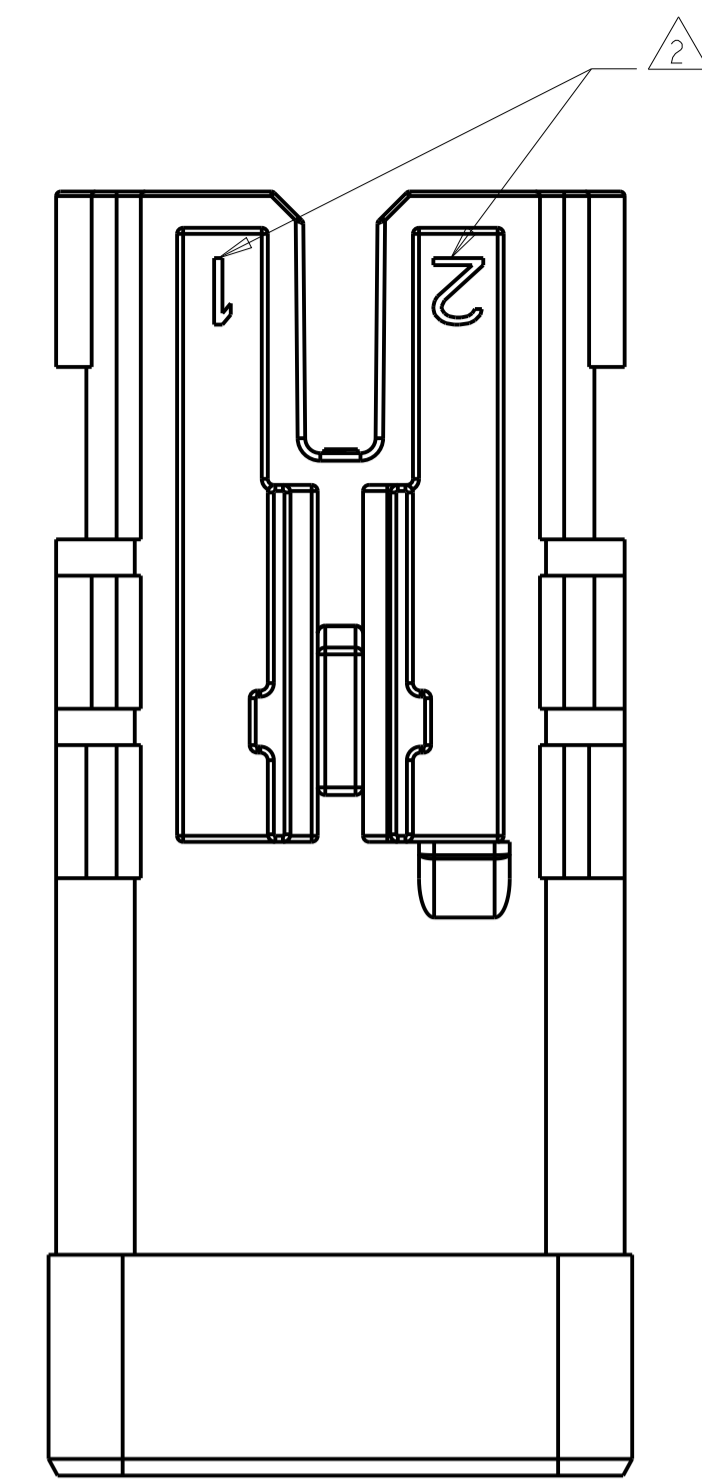


REVISIONS				
P.	LTR.	DESCRIPTION	DATE	APVD.
A		ECO-14-005495	10APR2014	AD AD



SCALE 2:1



△ MATERIAL:  
 TYPE: PA66 33%GF  
 COLOR: BLACK

△ CIRCUIT ID

INNER HOUSING, PASS THRU HVIL	2103170-1
DESCRIPTION	PART NO.

THIS DRAWING IS A CONTROLLED DOCUMENT.		OWN: A DE CHAZAL 07DEC2011	NAME: INNER HOUSING, CAP, HVA280-2PHM	
DIMENSIONS:		CHK: A DE CHAZAL 07DEC2011	PRODUCT SPEC: -	
mm	TOLERANCES UNLESS OTHERWISE SPECIFIED:	APVD: -	APPLICATION SPEC: -	
	0 PLC ±0.2	SIZE: CAGE CODE: DRAWING NO: RESTRICTED TO		
	1 PLC ±0.10	A 100779 C=2103170		
	2 PLC ±0.050	SCALE: 4:1 SHEET 1 OF 1 REV A		
	3 PLC ±0.0001	CUSTOMER DRAWING		
	4 PLC ±0.0001			
	ANGLES ±1°			
MATERIAL:	FINISH: -			