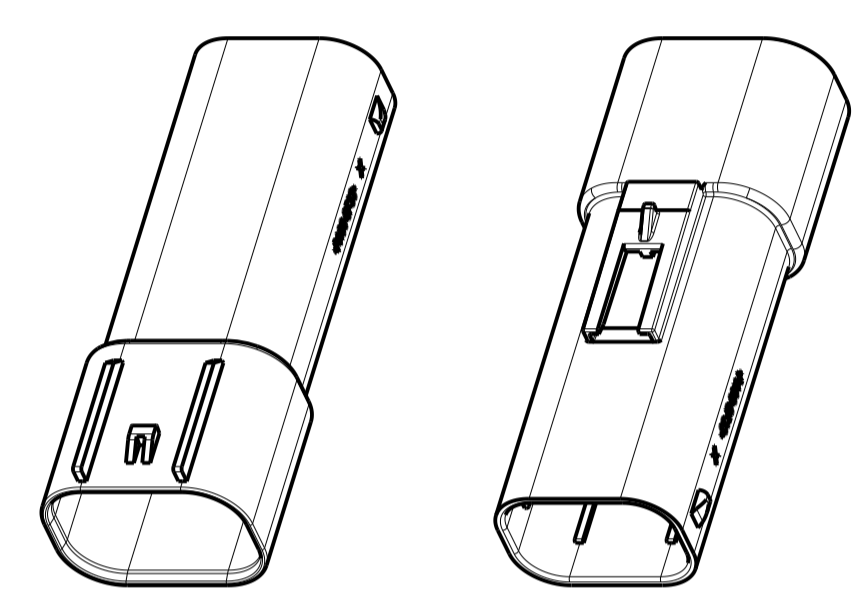
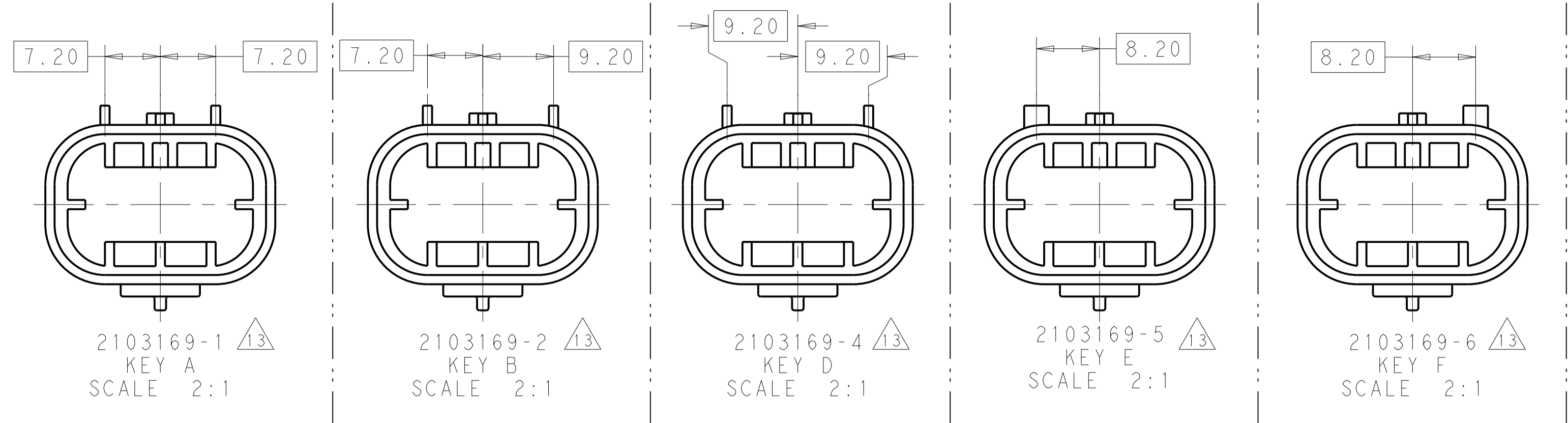
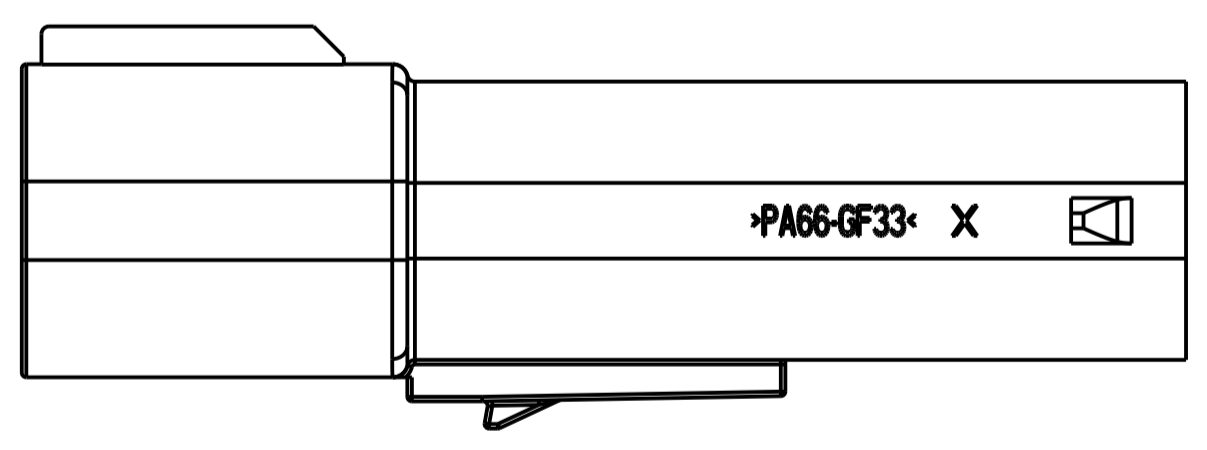
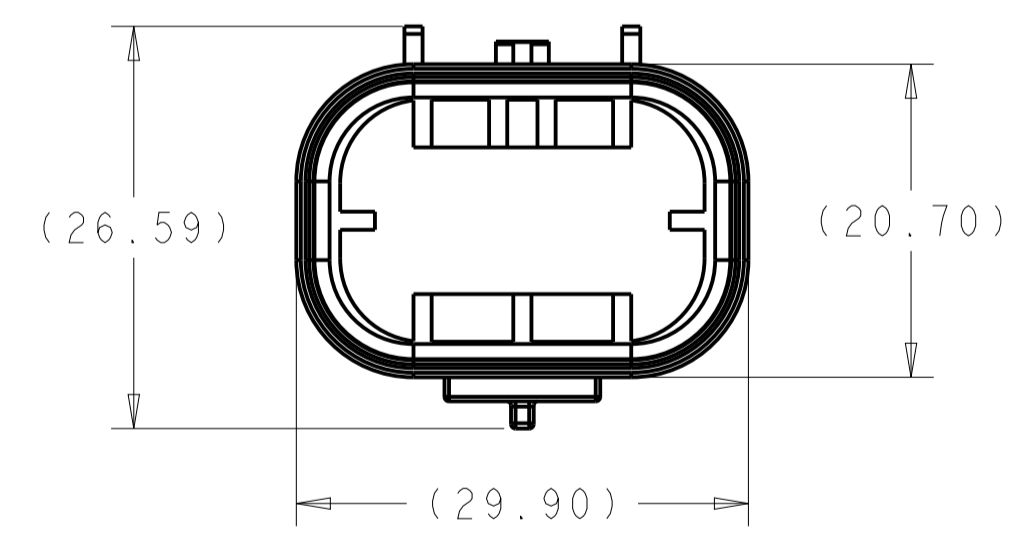
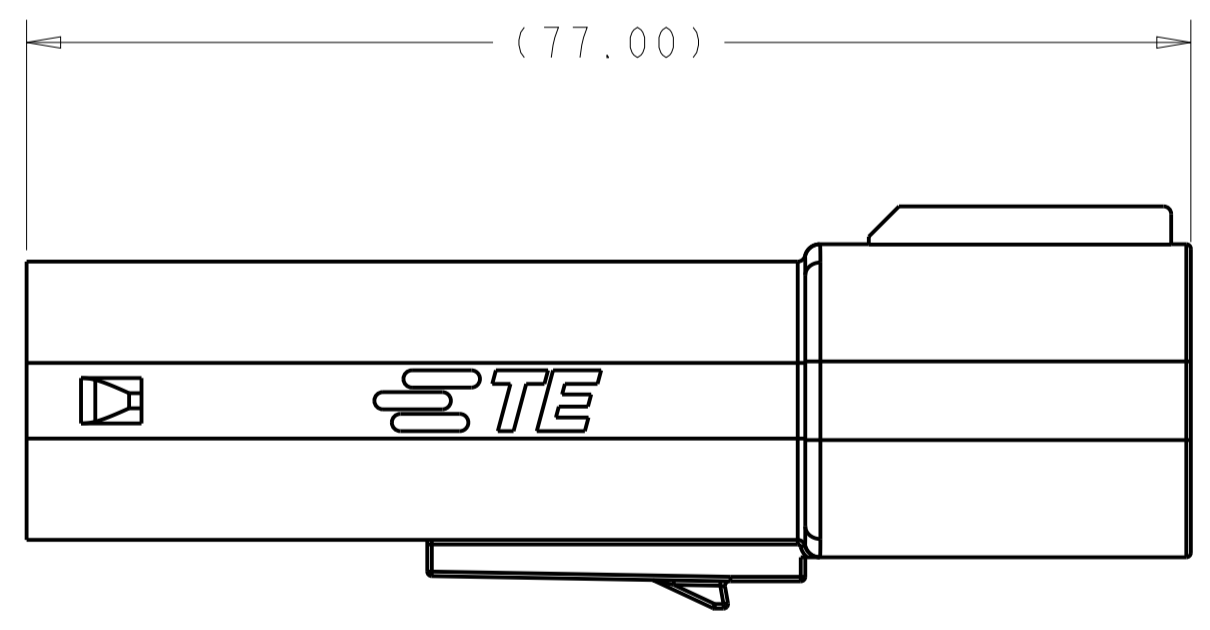
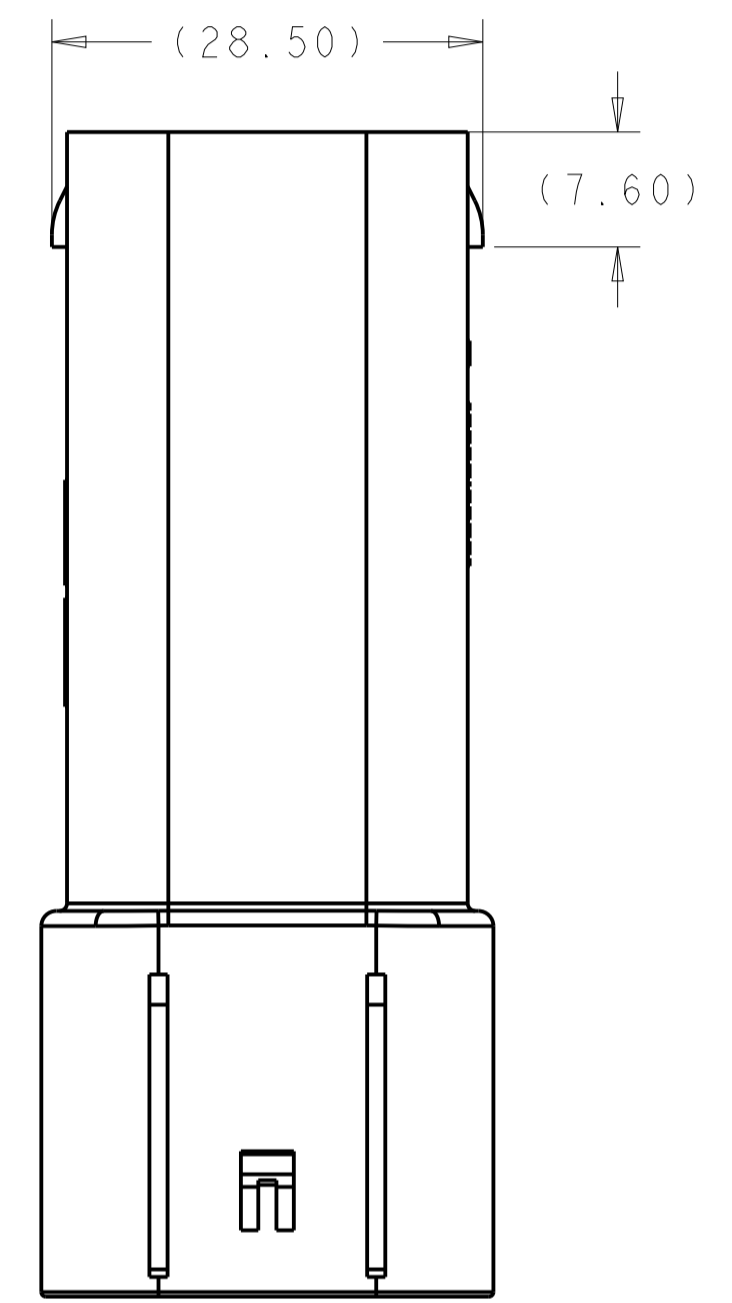


REVISIONS				
P.	LTN	DESCRIPTION	DATE	APVD
A		ECO-14-005495	10APR2014	AD AD



2103169-1 THRU -6



△ MATERIAL:
 TYPE : PA66 33%GF
 COLOR: ORANGE

DESCRIPTION	PART NO.
OUTER HOUSING, KEY F	2103169-6
OUTER HOUSING, KEY E	2103169-5
OUTER HOUSING, KEY D	2103169-4
OUTER HOUSING, KEY B	2103169-2
OUTER HOUSING, KEY A	2103169-1

THIS DRAWING IS A CONTROLLED DOCUMENT.		OWN: A DE CHAZAL 07DEC2011	TE Connectivity	
DIMENSIONS: mm		CHK: A DE CHAZAL 07DEC2011	NAME: OUTER HOUSING, CAP, HVA280-2PHM	
TOLERANCES UNLESS OTHERWISE SPECIFIED:		APVD: A DE CHAZAL	PRODUCT SPEC: -	
0 PLC ±0.2		APPLICATION SPEC: -		
1 PLC ±0.10		SIZE: A1		
2 PLC ±0.050		CAGE CODE: 00779		
3 PLC ±0.0001		DRAWING NO: C=2103169		
4 PLC ±0.0001		RESTRICTED TO: -		
ANGLES ±0.0001		WEIGHT: -		
FINISH: -		CUSTOMER DRAWING		
SCALE: 2:1		SHEET 1 OF 1		
REV: A				