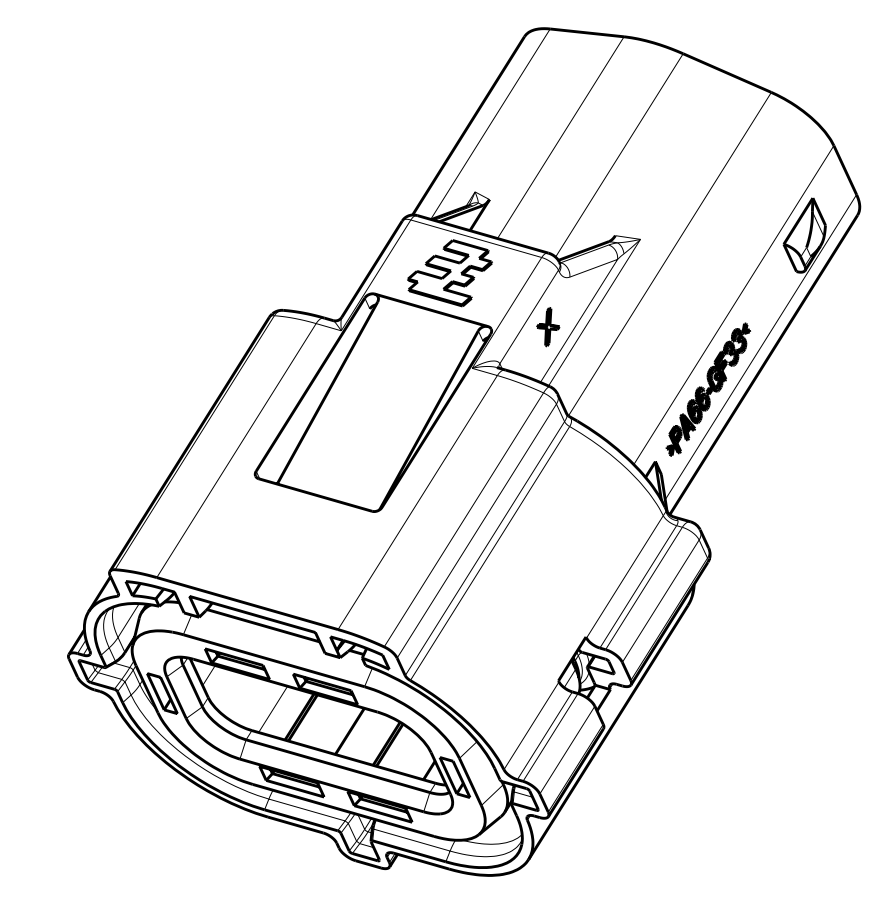
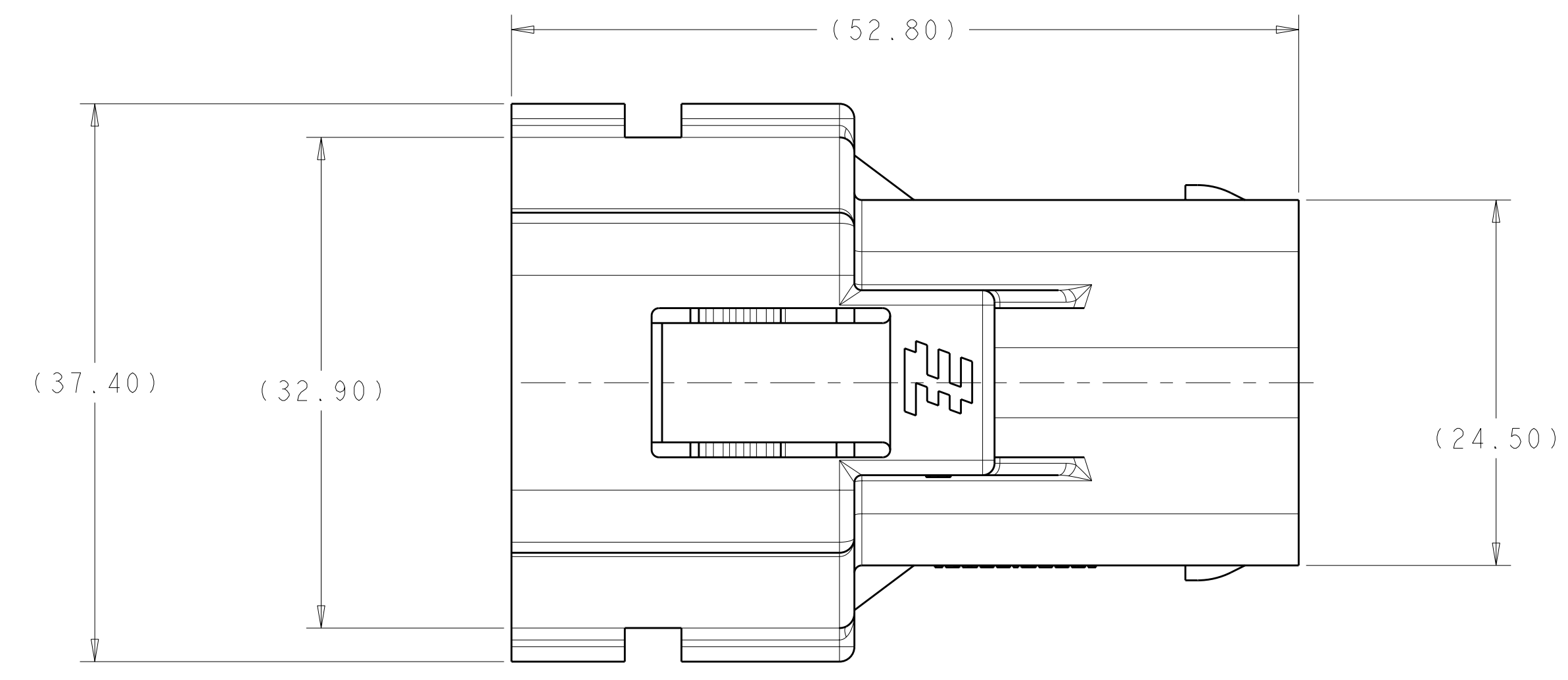
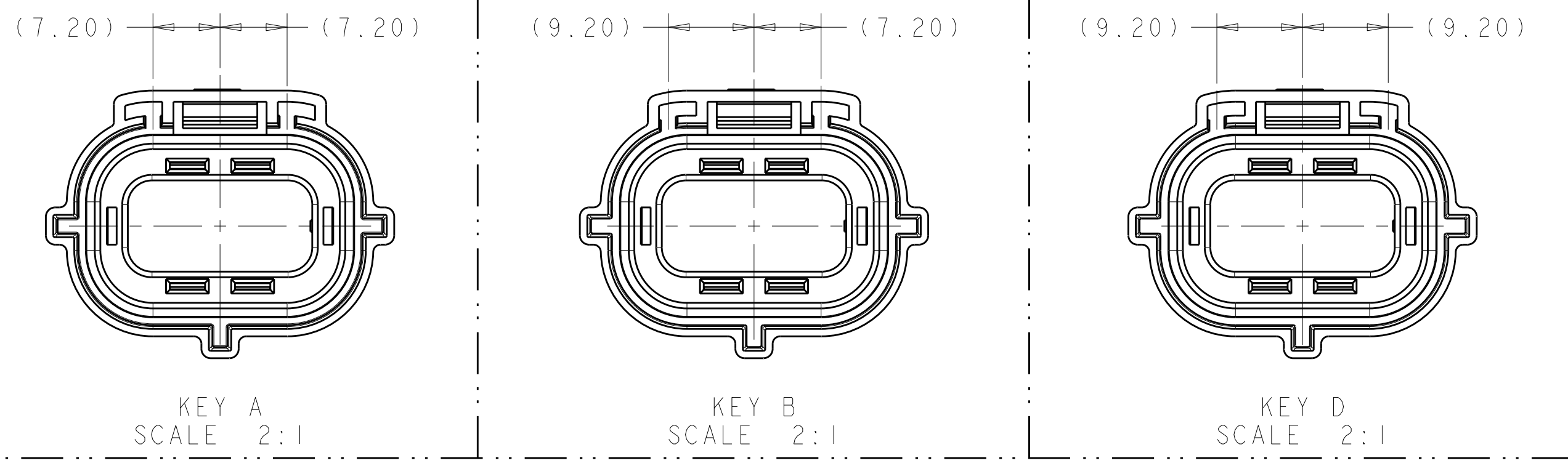
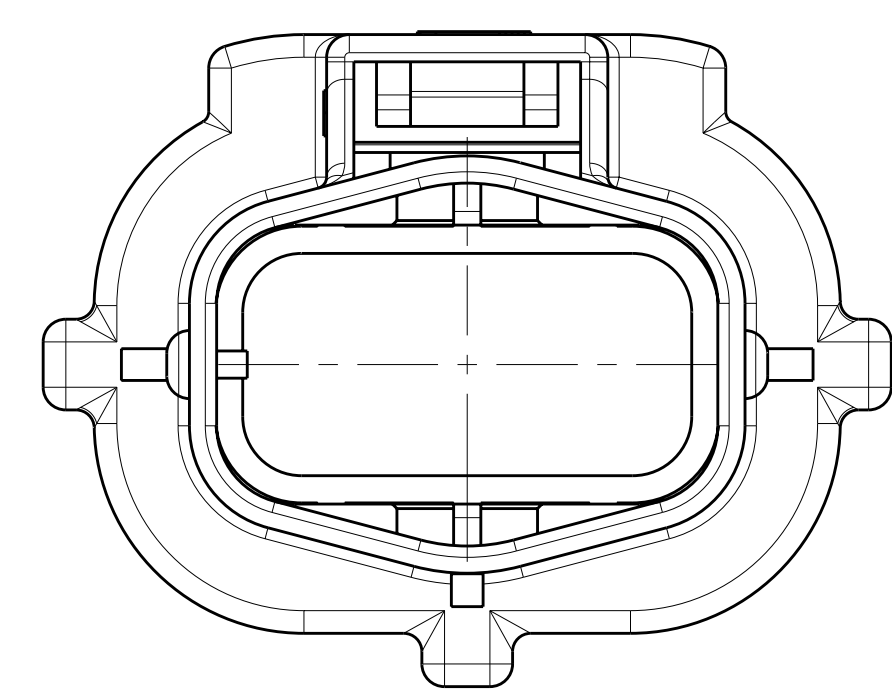
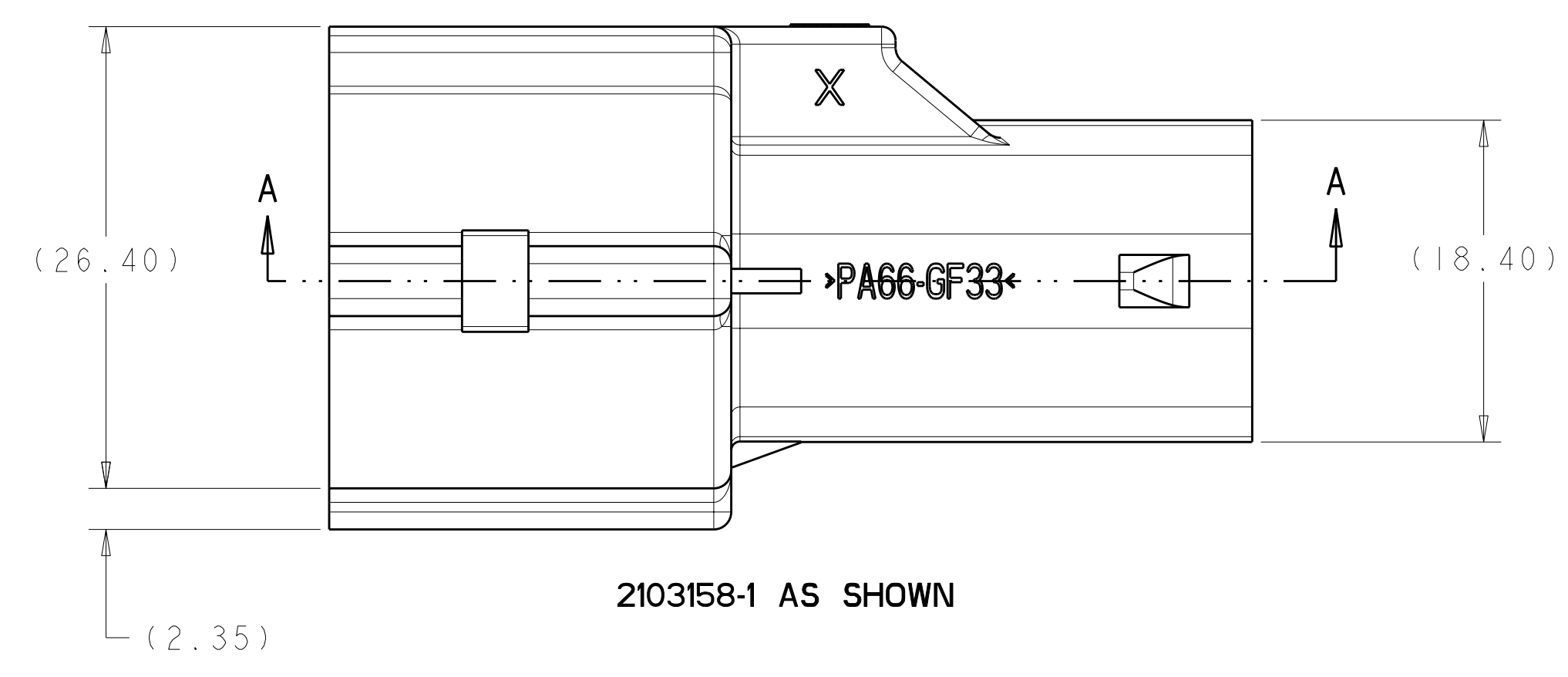
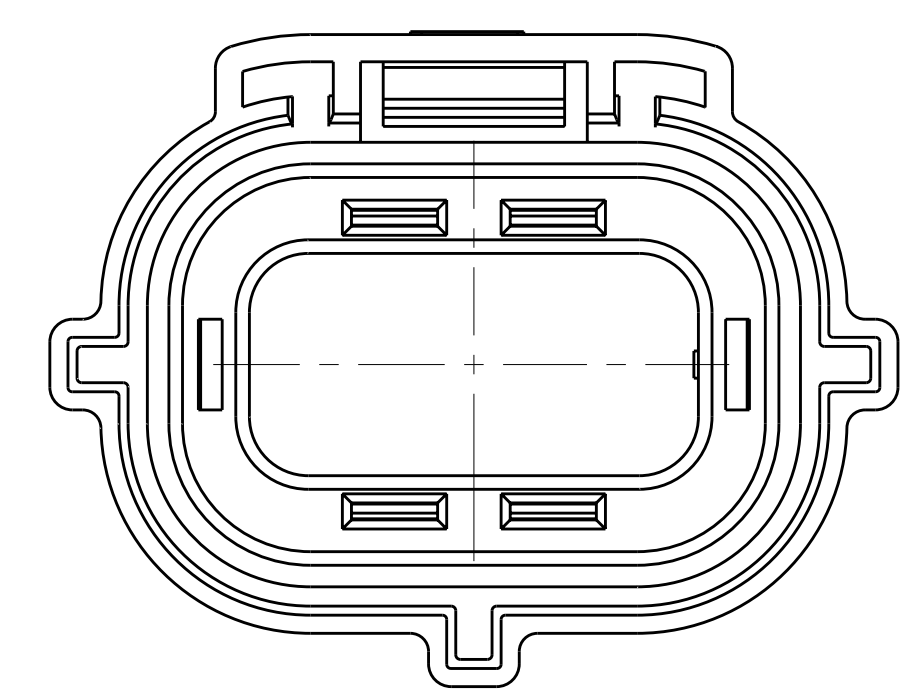


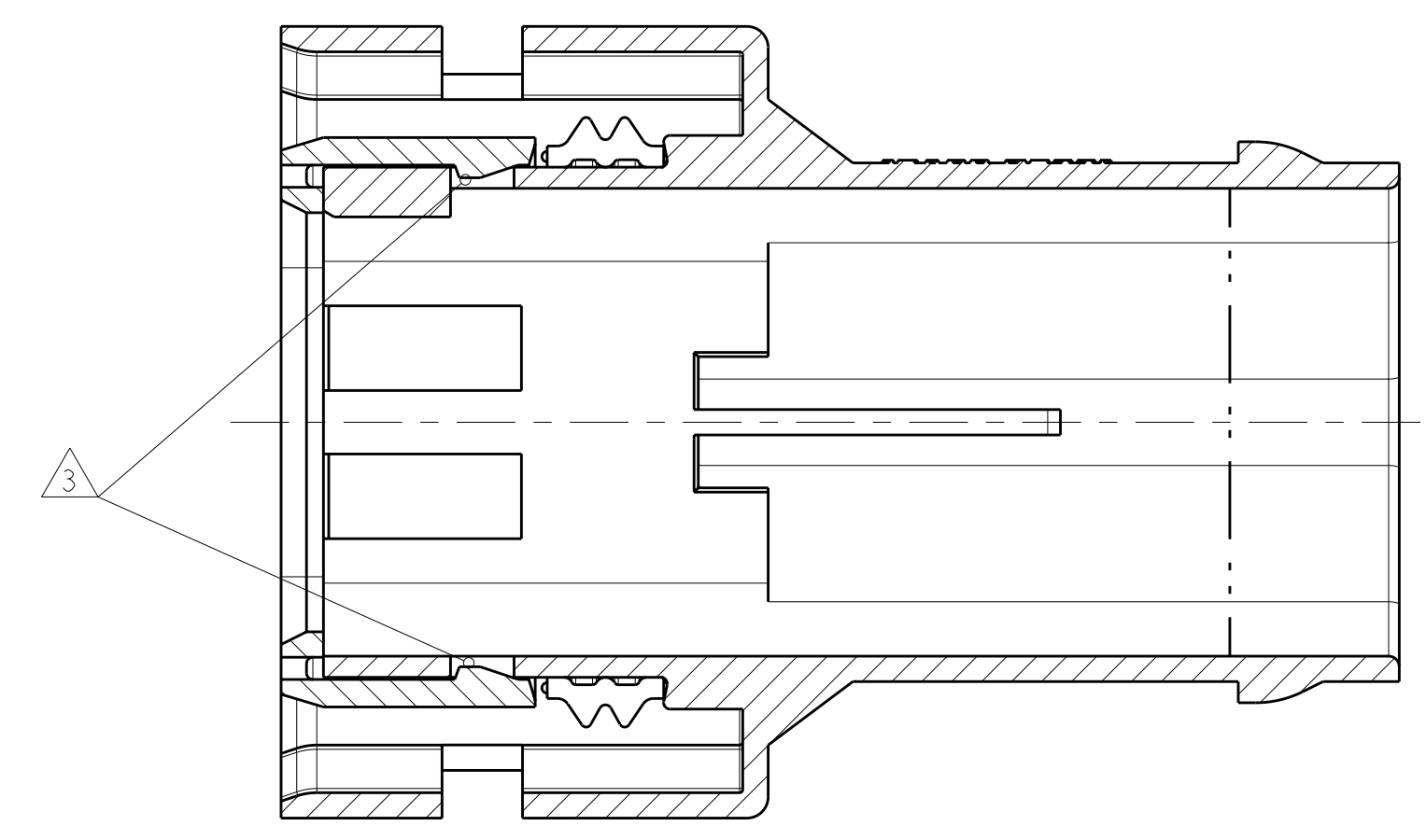
LOC	DIST	REVISIONS					
		P	LTB	DESCRIPTION	DATE	DWN	APVD
HV	00	A		ECO-12-005606	21MAR2012	DS	AT



KEY A SHOWN  
SCALE 2:1



- CONNECTOR MUST BE FREE OF ANY MECHANICAL DEFECTS WHICH COULD NEGATIVELY AFFECT FIT, FUNCTION, OR PERFORMANCE
- THIS SUBASSY IS USED IN CONNECTOR SHOWN ON DRAWING 2103166
- SEAL RETAINER MUST BE FULLY LOCKED IN TWO LOCATIONS
- PRELIMINARY PART—NOT RELEASED FOR PRODUCTION



SECTION A-A

DESCRIPTION	PART NO
PLUG SUBASSY, KEY D, >FVMQ< SEAL	2103158-8
PLUG SUBASSY, KEY B, >FVMQ< SEAL	2103158-6
PLUG SUBASSY, KEY A, >FVMQ< SEAL	2103158-5
PLUG SUBASSY, KEY D	2103158-4
PLUG SUBASSY, KEY B	2103158-2
PLUG SUBASSY, KEY A	2103158-1

THIS DRAWING IS A CONTROLLED DOCUMENT. DIMENSIONING AND TOLERANCING PER ASME Y14.5M-2009.		DWN D SIMPSON 28NOV2010	TE Connectivity	
DIMENSIONS: mm		CHK A TYLER 10DEC2010	NAME PLUG SUBASSY, HVA280-3PXM VR,	
TOLERANCES UNLESS OTHERWISE SPECIFIED:		APVD J ROLEWITZ 10DEC2010	CHART	
0 PLC ±0.5	1 PLC ±0.13	PRODUCT SPEC 108-2395	SIZE A100779	RESTRICTED TO
3 PLC ±0.013	4 PLC ±0.001	APPLICATION SPEC 114-13253	CAGE CODE C=2103158	REV
ANGLES ±0.001	FINISH	WEIGHT	SCALE 2	SHEET 1
MATERIAL		CUSTOMER DRAWING	OF 1	REV A