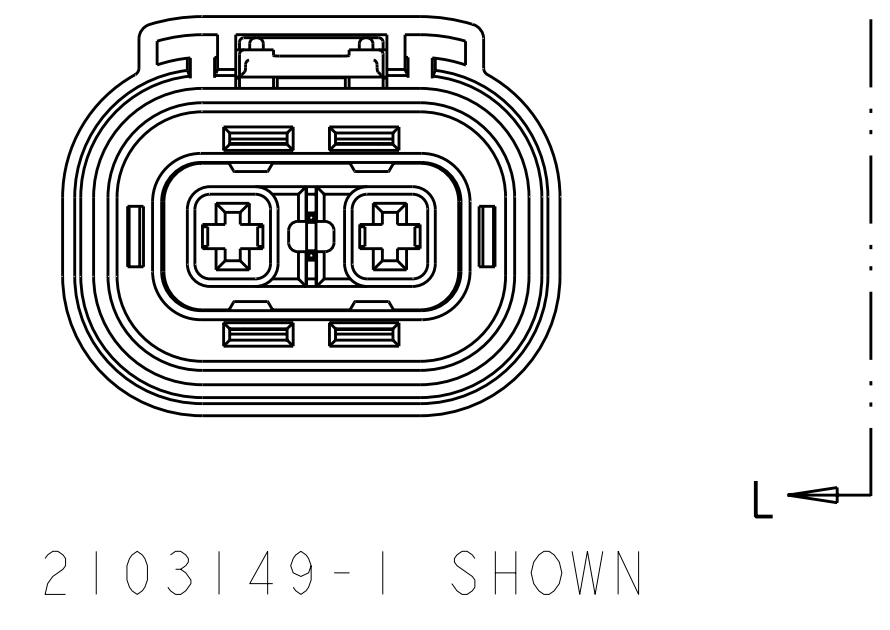
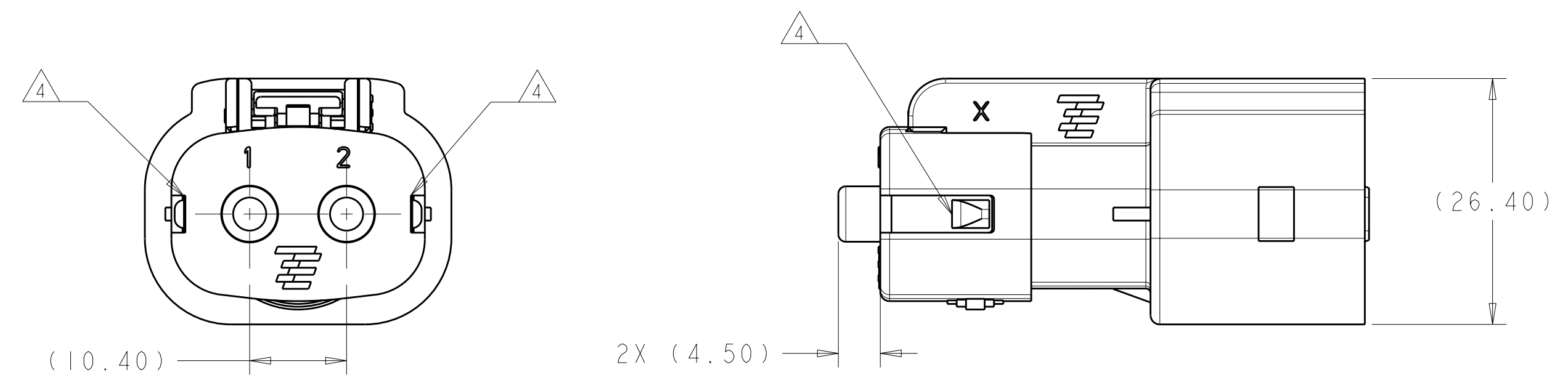
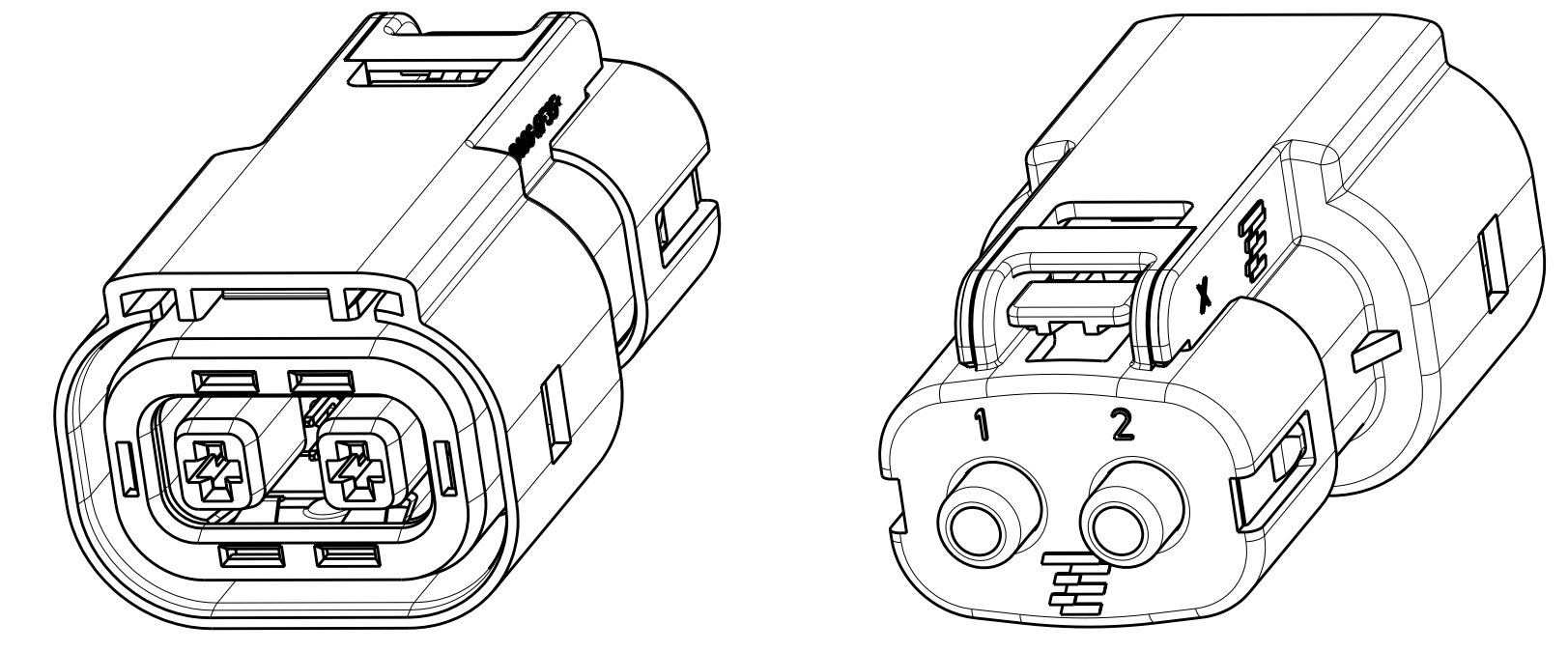
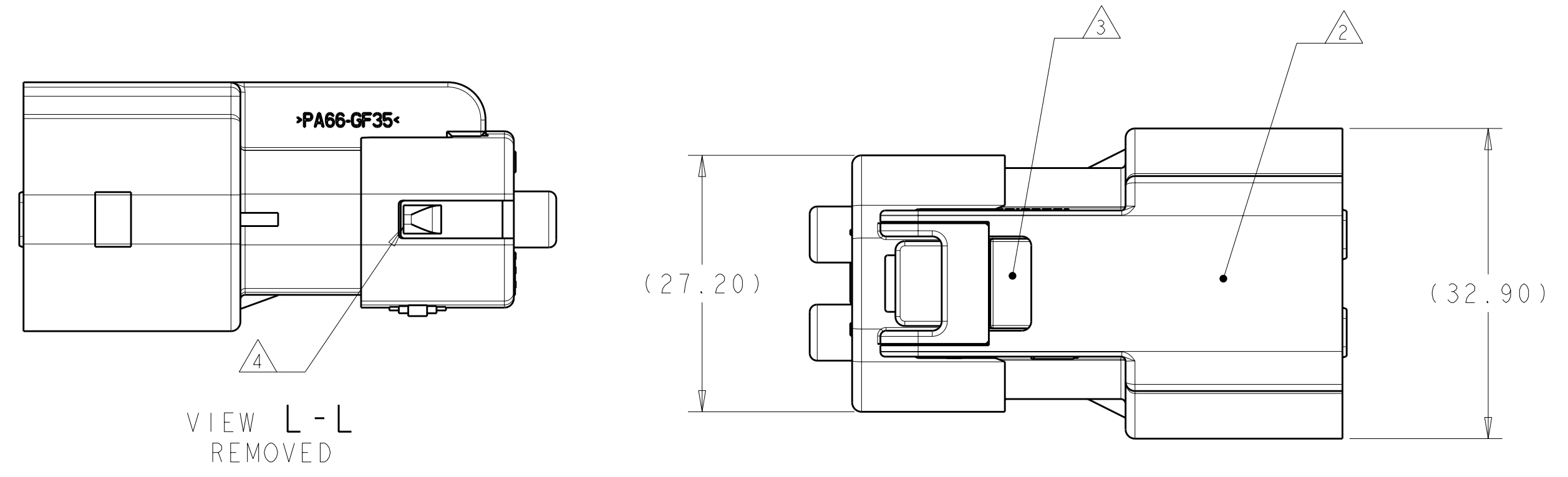
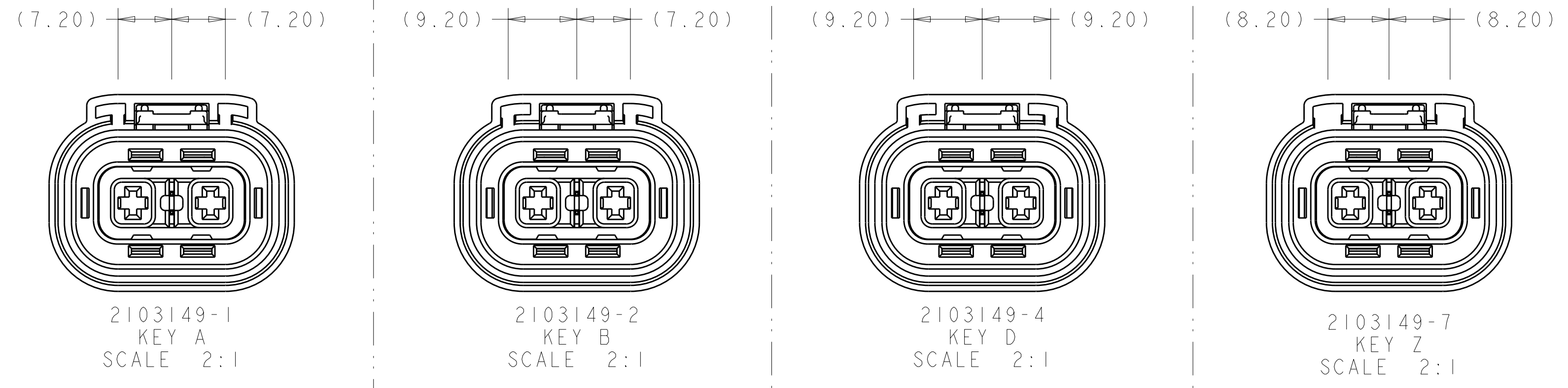
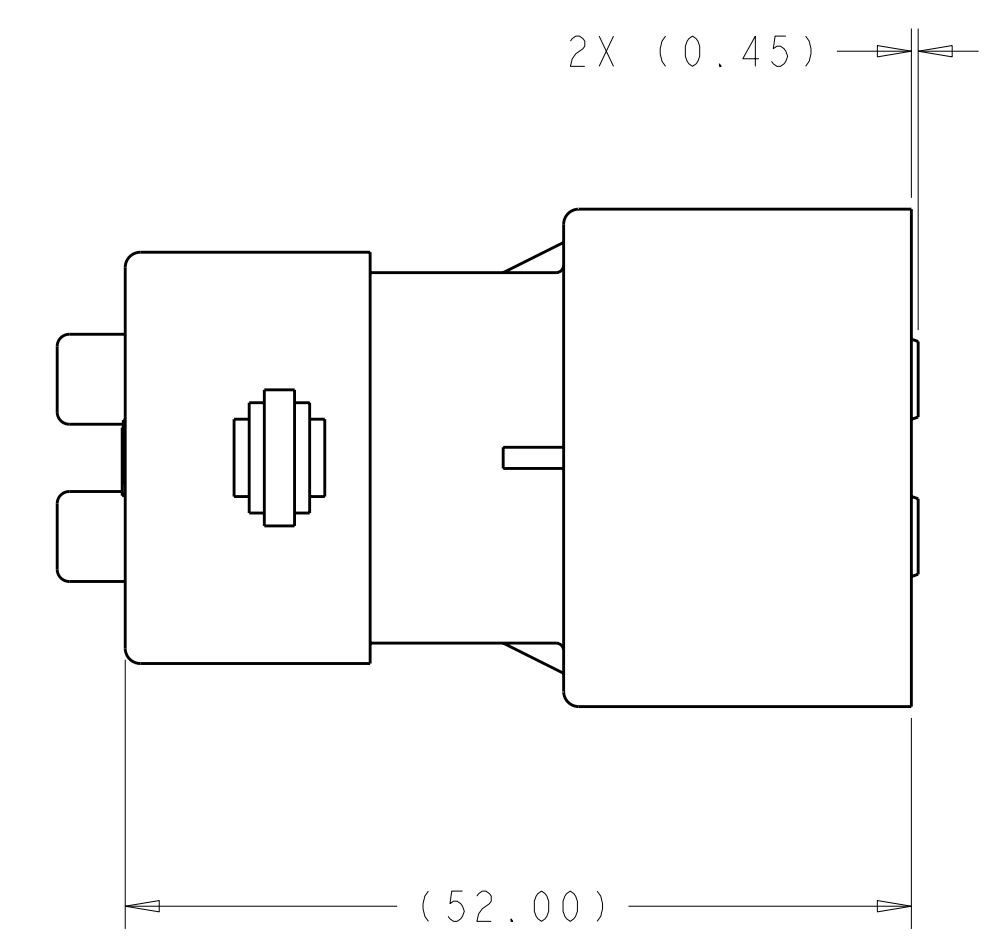


LOC	DIST	REVISIONS			
		REV	DATE	BY	APPD
HV	00	A	14FEB2012	DS	AT
		A1	12MAR2012	DS	AT



1. CONNECTOR MUST BE FREE OF ANY MECHANICAL DEFECTS WHICH MAY AFFECT FIT, FORM, OR PERFORMANCE
2. PLUG SUB ASSEMBLY PART NUMBER AND JULIAN DATE CODE MARKED IN THIS AREA
3. FLOATING LATCH MUST BE FULLY INSTALLED AS SHOWN
4. WIRE SEAL RETAINER MUST BE FULLY LOCKED IN TWO LOCATIONS ONTO OUTER HOUSING.
5. NOTE DELETED



DESCRIPTION	PART NO
PLUG, HVIL ONLY, KEY Z, HVA280-2PHI	2103149-7
PLUG, HVIL ONLY, KEY D, HVA280-2PHI	2103149-4
PLUG, HVIL ONLY, KEY B, HVA280-2PHI	2103149-2
PLUG, HVIL ONLY, KEY A, HVA280-2PHI	2103149-1

THIS DRAWING IS A CONTROLLED DOCUMENT. DIMENSIONING AND TOLERANCING PER ASME Y14.5M-2009.		DWN D SIMPSON 28OCT2010	TE Connectivity	
TOLERANCES UNLESS OTHERWISE SPECIFIED:		CHK A TYLER 28OCT2010	NAME PLUG, HVIL ONLY, HVA280-2PHI	
DIMENSIONS:	mm	PRODUCT SPEC 108-2394	SIZE CAGE CODE DRAWING NO	RESTRICTED TO
0 PLC ±0.2	1 PLC ±0.10	APPLICATION SPEC	A1100779C=2103149	
2 PLC ±0.13	3 PLC ±0.0001	WEIGHT	SCALE 1:1	SHEET 1 OF 1
4 PLC ±0.0001	ANGLES ±1°	CUSTOMER DRAWING	REV A1	