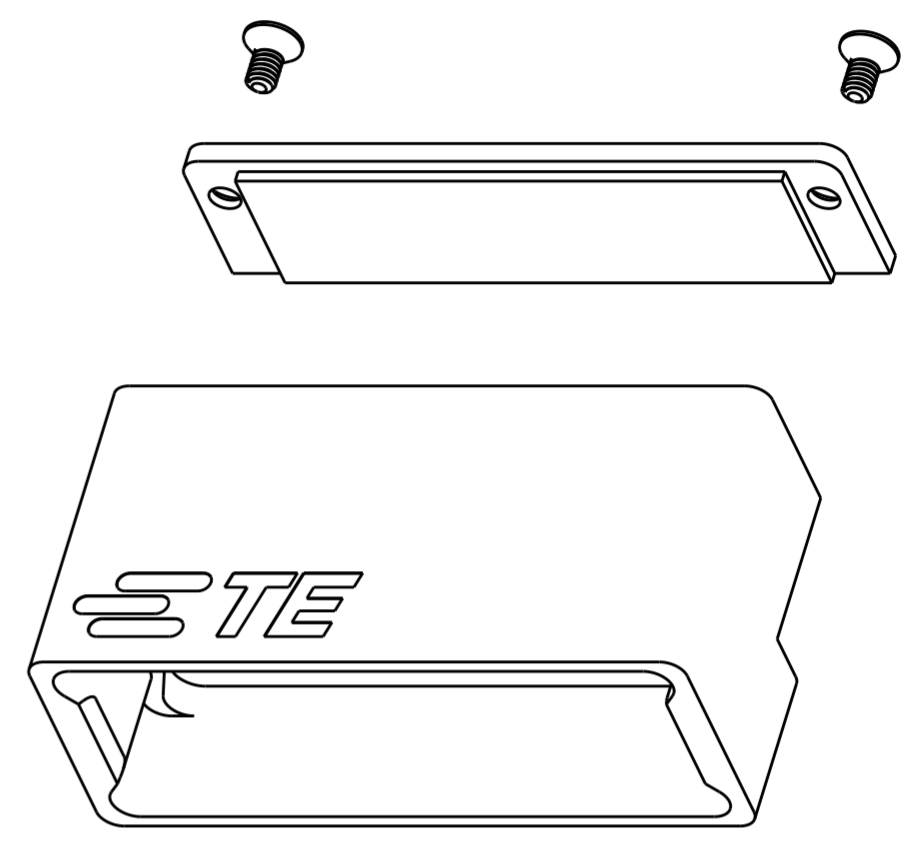
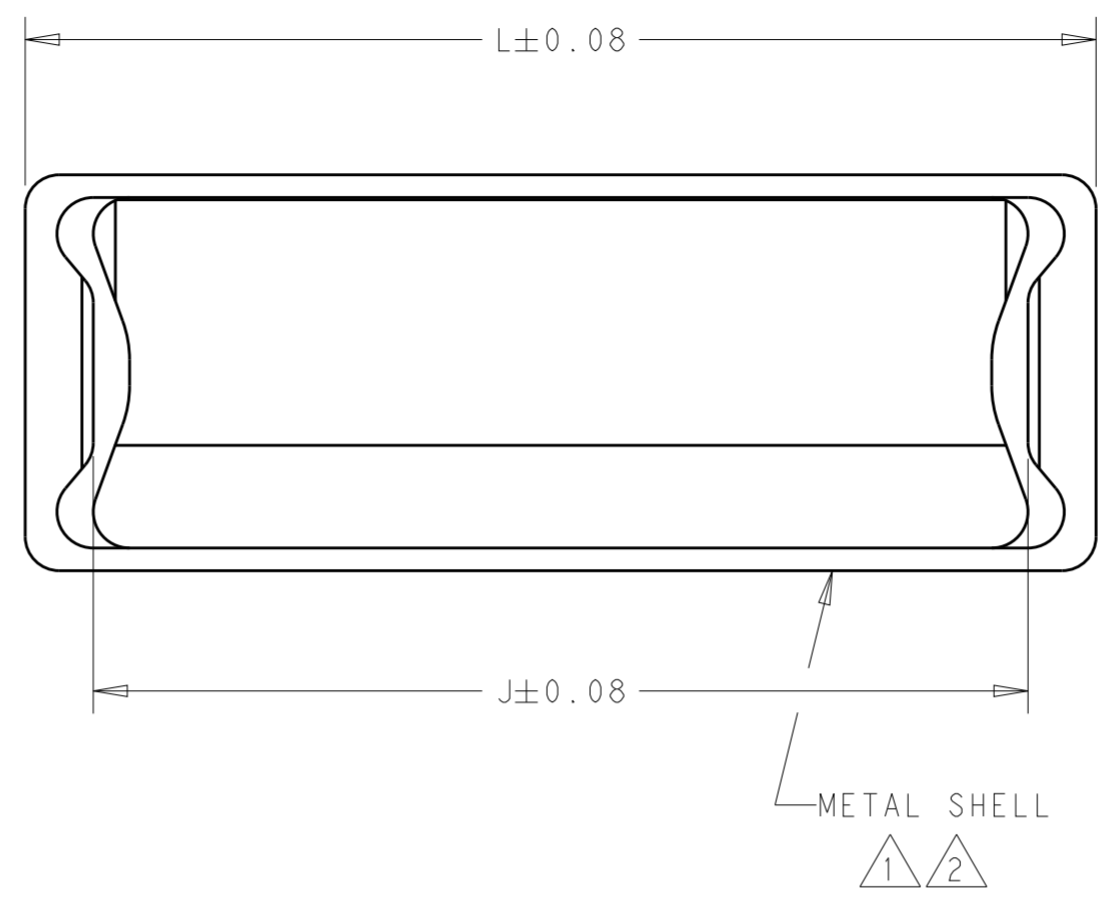
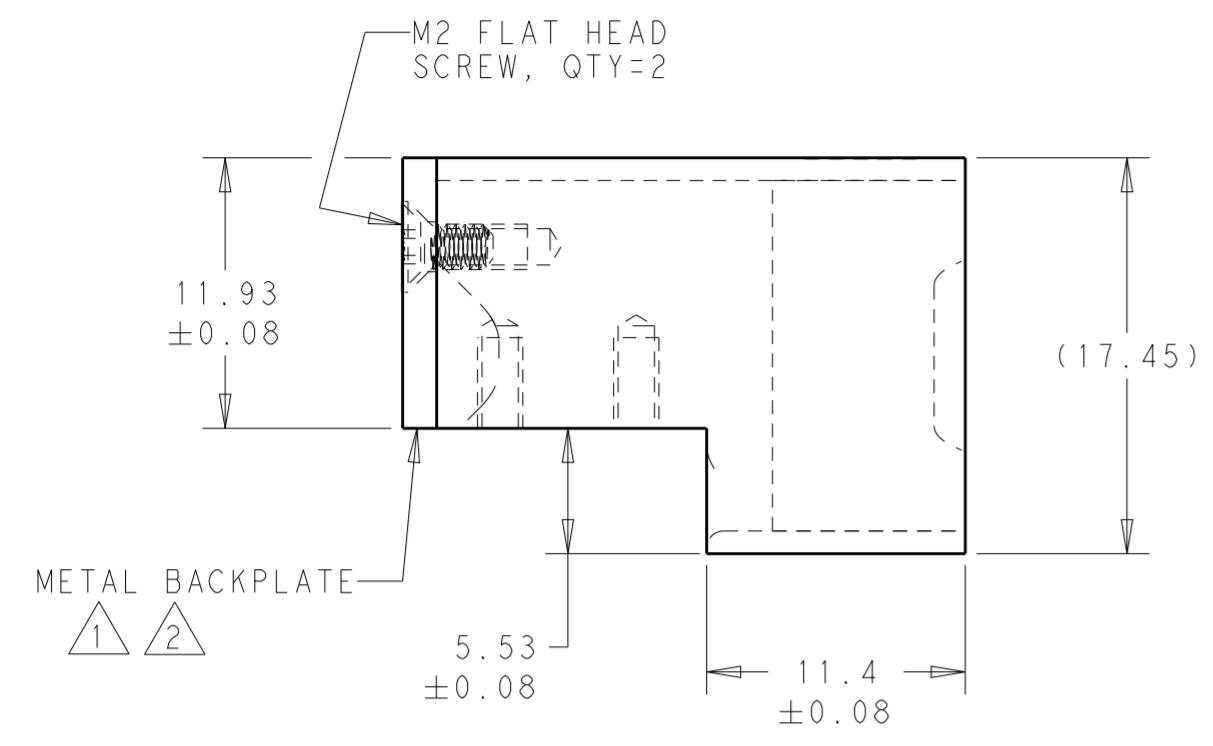


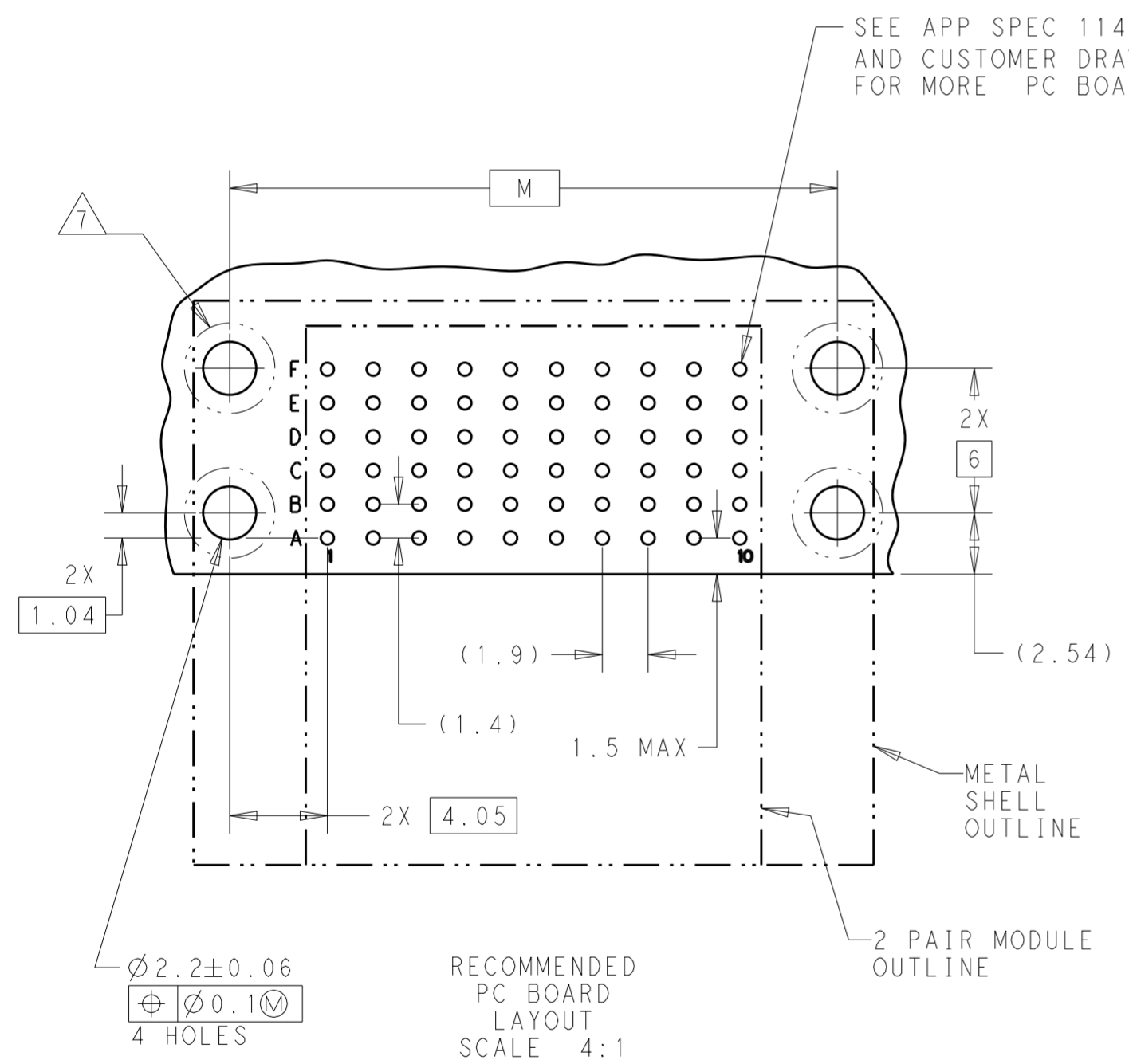
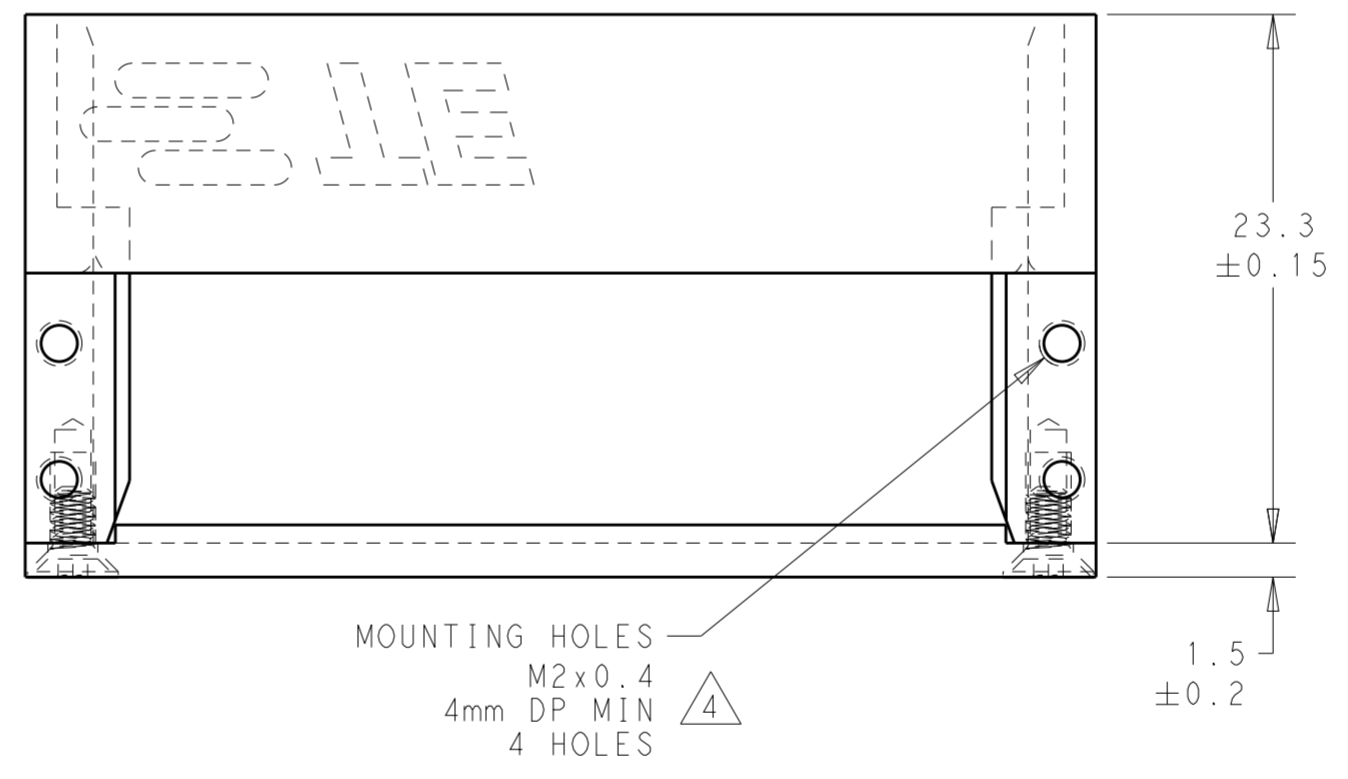
THIS DRAWING IS UNPUBLISHED. RELEASED FOR PUBLICATION 20
 © COPYRIGHT 20 BY - ALL RIGHTS RESERVED.

REVISIONS							
LOC	DIST	P	LTR	DESCRIPTION	DATE	DWN	APVD
-	-	3		ADDED WEIGHTS, ANNULAR RINGS, AND NOTE 7	08AUG2012	NPR	BDY
		4		UPDATED TO SHOW LOGO ON SHELL	03JAN2013	NPR	NPR
		5		CHANGED PCB LAYOUT DIM SCHEME	13MAR2013	NPR	NPR



SCALE 2:1

- 1 MATERIAL: ALUMINUM, 6061, TEMPER T6
- 2 FINISH: TRIVALENT CHROMATE CONVERSION COATING PER MIL-DTL-5541, TYPE II, CLASS 3.
- 3. FOR USE WITH 2-PAIR FORTIS Zd CENTER MODULES 2102087 & 2102096 ONLY (NOT INCLUDED)
- 4 PCB MOUNTING HARDWARE NOT INCLUDED. SCREW LENGTH DEPENDENT ON PCB THICKNESS
- 5. INSTRUCTION SHEET: 408-32056
- 6. PARTS UNASSEMBLED, SHOWN ASSEMBLED FOR ILLUSTRATION ONLY
- 7 ANNULAR RINGS PLATED AROUND ALL 4 MOUNTING HOLE LOCATIONS ON TOP AND BOTTOM OF PCB



THIS PRINT IS
PRELIMINARY
 UNQUALIFIED PRODUCT
 CONTACT PRODUCT ENGINEERING
 BEFORE USING THIS PRINT

M	L	J	WEIGHT (g)	NUMBER OF COLUMNS	PART NUMBER
120.2	123.2	117.2	26.2	60	2102114-6
101.2	104.2	98.2	23.0	50	2102114-5
82.2	85.2	79.2	19.7	40	2102114-4
63.2	66.2	60.2	16.5	30	2102114-3
44.2	47.2	41.2	13.2	20	2102114-2
25.2	28.2	22.2	10.0	10	2102114-1

THIS DRAWING IS A CONTROLLED DOCUMENT.

DIMENSIONS:	TOLERANCES UNLESS OTHERWISE SPECIFIED:	DWN	07MAY2012
mm	0 PLC ±	CHK	N.P. RUFFIN
	1 PLC ±0.5		28JUN2012
	2 PLC ±0.13	APVD	N.P. RUFFIN
	3 PLC ±0.013		28JUN2012
	4 PLC ±0.0001	PRODUCT SPEC	B.D. YOHN
	ANGLES ±2°	APPLICATION SPEC	
	FINISH	108-2409	
MATERIAL	SEE CALLOUTS	114-13267	
SEE CALLOUTS	SEE CALLOUTS	WEIGHT	TABLE
		Customer Drawing	

NAME		KIT, FORTIS Zd, 2-PAIR, METAL SHELL AND BACKPLATE	
SIZE	CAGE CODE	DRAWING NO	RESTRICTED TO
A200779		C-2102114	-
SCALE	SHEET	OF	REV
3:1	1	1	5