




CODE 40 - BRAID TAIL BACKSHELL

208M816-19B08

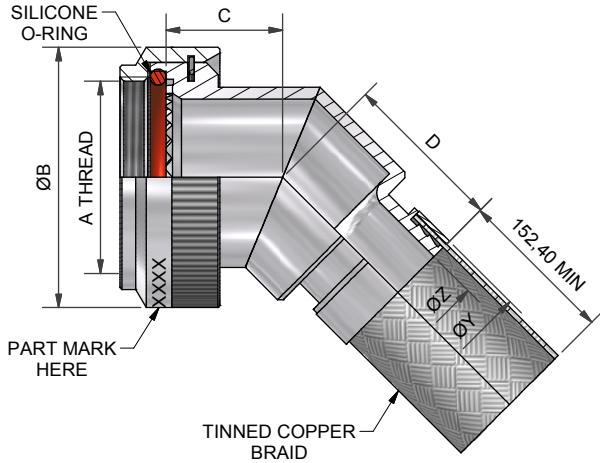
SERIES _____
 ORDER NUMBER (TABLE 1) _____
 MATERIAL _____
 REFER TO CH00-0250-004 _____
 FINISH _____
 REFER TO CH00-0250-004 (2) _____
 ENTRY SIZE (TABLE 2) _____

NOTES:

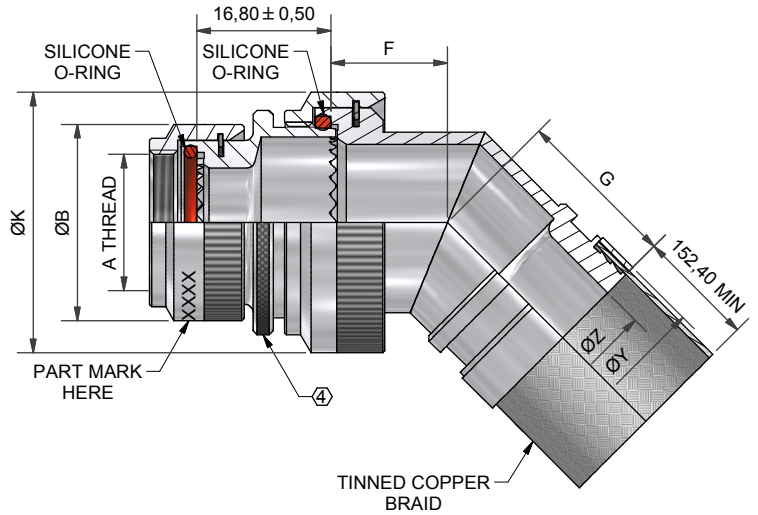
1. THIS PRODUCT IS DESIGNED TO TERMINATE A HEAT SHRINKABLE LIPPED BOOT TO A CONNECTOR.
- (2) FOR ADDITIONAL DIMENSIONS, ORDERING INFORMATION AND MODIFICATIONS, SEE CH00-0250-004.
3. BACKSHELL TO BE PERMANENTLY MARKED/BAGGED AND LABELLED WITH CODE IDENTIFICATION NUMBER AND PART NUMBER. (e.g. 06090-208M812-19B08).
- (4) WHEN ENTRY SIZE EXCEEDS "MAX ENTRY", A 2 PIECE BACKSHELL (TYPE 2) IS SUPPLIED.
5. BRAID TERMINATION RING MAY BE SUPPLIED AS TINEL-LOCK SHAPE MEMORY RING AT MANUFACTURERS OPTION.
6. BACKSHELL MATES TO MIL-DTL-38999, SERIES III AND IV, CLASS C, F, K, AND W, D38999/20, /24, /26, /40, /46 AND /47 CONNECTORS, AND WHEN SO MATED SHALL PROVIDE A WATER-TIGHT SEAL MEETING THE REQUIREMENTS OF MIL-C-85049, PARA. 3. 5. 7.

DRAWN	B.VESA	DATE 05/10/2015	 3RD ANGLE PROJECTION NOT TO SCALE	TITLE:	BRAID TAIL BACKSHELL	 Polamco 
CHECKED		05/10/2015				
APPROVED	K.SHEPPARD	05/10/2015		UNLESS OTHERWISE SPECIFIED ALL DIMENSIONS IN MILLIMETRES GENERAL TOL LINEAR +/-0.25MM ANGULAR +/- 1°		
APPROVED	H.SMITH	09/10/2015				
REVISIONS						
LTR	DESCRIPTION	DATE	APPROVED			
K	REVISED PER ECN AD94021					
L	REVISED PER ECO-15-014564	09/10/2015	H.SMITH			
TE CAGE CODE: 06090 POLAMCO/TE CAGE CODE: U5792				TE CONNECTIVITY - POLAMCO LTD RESERVES THE RIGHT TO AMEND THIS DRAWING AND THE INFORMATION SET FORTH HEREON AT ANY TIME. USERS SHOULD INDEPENDENTLY EVALUATE THE SUITABILITY OF THE PRODUCT FOR THEIR APPLICATION.		DRAWING NO: 208M8XX
				DRAWING REV: L	SHT 1	

IF MAX ENTRY IS EXCEEDED, BACKSHELL WILL BE SUPPLIED AS TYPE 2



45° BACKSHELL - TYPE 1



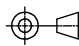
45° BACKSHELL - TYPE 2

TABLE 1

ORDER NUMBER	SHELL SIZE COML / MIL	A THREAD	ØB MAX	MAX ENTRY (4)	C ±0,5	D ±0,5
08	9 / A	M12x1.0	18,0	04	12,0	17,1
10	11 / B	M15x1.0	21,0	07	12,5	18,2
12	13 / C	M18x1.0	24,5	09	13,1	18,6
14	15 / D	M22x1.0	29,0	10	13,5	19,5
16	17 / E	M25x1.0	32,5	12	14,5	20,3
18	19 / F	M28x1.0	35,5	14	15,5	20,8
20	21 / G	M31x1.0	37,0	16	16,1	21,7
22	23 / H	M34x1.0	40,0	18	16,5	22,0
24	25 / J	M37x1.0	43,5	20	17,0	22,9

TABLE 2

ENTRY SIZE	ØZ REF	ØY REF	ØK MAX	F ±0,5	G ±0,5
03	4,77	13,1	NA	NA	NA
04	6,35	13,1	NA	NA	NA
05	7,92	13,1	21,0	12,5	18,2
06	9,52	17,9	21,0	12,5	18,2
07	11,12	17,9	21,0	12,5	18,2
08	12,70	17,9	24,5	13,1	18,6
09	14,27	17,9	24,5	13,1	18,6
10	15,87	24,2	29,0	13,5	19,5
11	17,47	24,2	32,5	14,5	20,3
12	19,05	24,2	32,5	14,5	20,3
13	20,62	24,2	35,5	15,5	20,8
14	22,23	30,6	35,5	15,5	20,8
15	23,82	30,6	37,0	16,1	21,7
16	25,40	30,6	37,0	16,1	21,7
17	26,98	33,2	40,0	16,5	22,0
18	28,60	33,2	40,0	16,5	22,0
20	31,80	42,0	43,5	17,0	22,9
21	33,34	42,0	48,5	18,5	24,8
22	35,00	42,0	48,5	18,5	24,8
24	38,10	42,0	52,1	21,9	25,8
28	44,45	49,0	58,5	25,7	26,4

DRAWN	B.VESA	DATE	05/10/2015	 3RD ANGLE PROJECTION NOT TO SCALE
CHECKED		DATE	05/10/2015	
APPROVED	K.SHEPPARD	DATE	05/10/2015	
APPROVED	H.SMITH	DATE	09/10/2015	
REVISIONS				
LTR	DESCRIPTION	DATE	APPROVED	
K	REVISED PER ECN AD94021			
L	REVISED PER ECO-15-014564	09/10/2015	H.SMITH	

TITLE:
BRAID TAIL BACKSHELL

ASSY USED ON:
MIL-DTL-38999 SERIES III & IV



TE CAGE CODE: 06090
POLAMCO/TE CAGE CODE: U5792

TE CONNECTIVITY - POLAMCO LTD RESERVES THE RIGHT TO AMEND THIS DRAWING AND THE INFORMATION SET FORTH HEREON AT ANY TIME. USERS SHOULD INDEPENDENTLY EVALUATE THE SUITABILITY OF THE PRODUCT FOR THEIR APPLICATION.

DRAWING NO:	208M8XX	DRAWING REV:	L	SHT	2
-------------	---------	--------------	---	-----	---