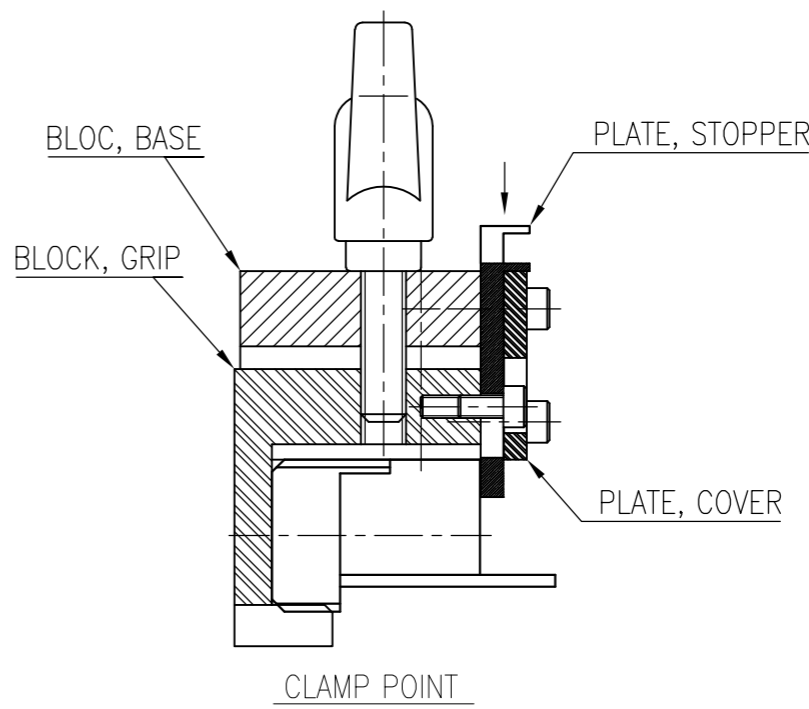
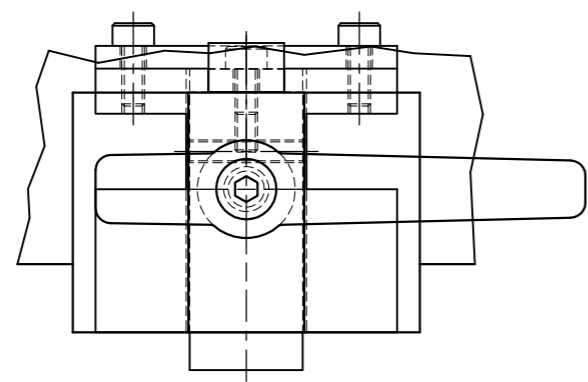
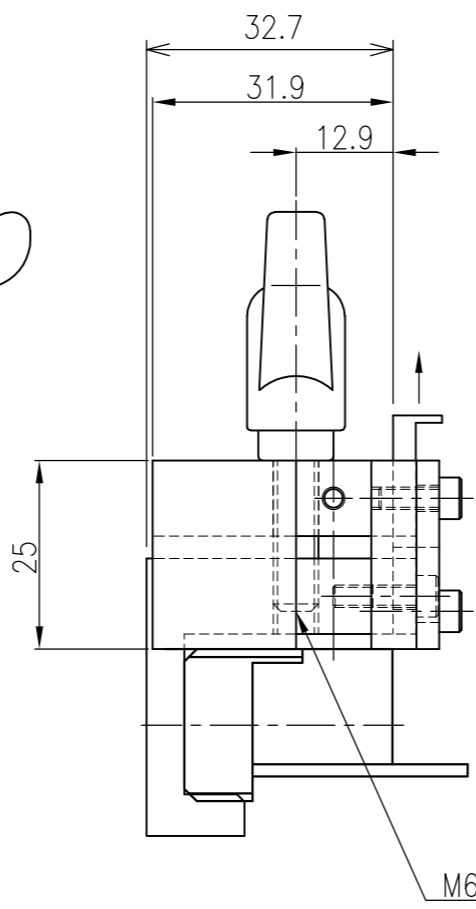
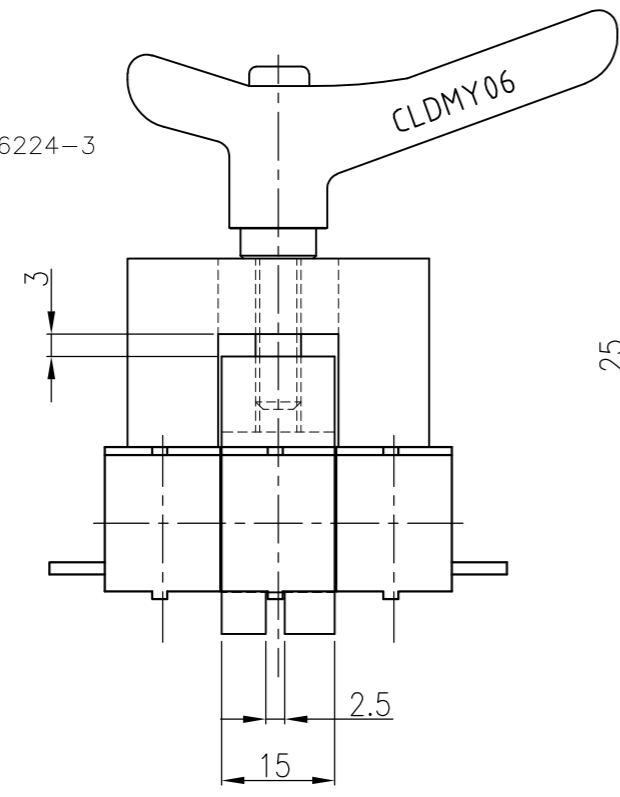
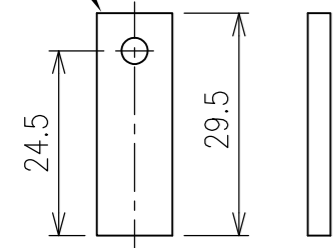


THIS DRAWING IS UNPUBLISHED. RELEASED FOR PUBLICATION
 © COPYRIGHT BY TYCO ELECTRONICS CORPORATION. ALL RIGHTS RESERVED.

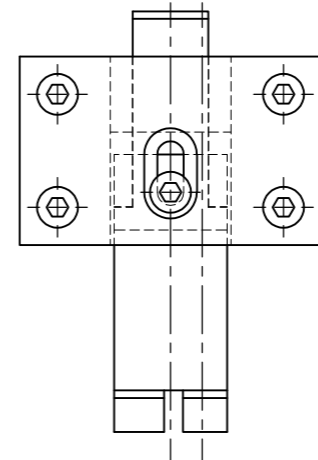
LOC	DIST	REVISIONS					
J	—	P	LTR	DESCRIPTION	DATE	DWN	APVD
		A	RELEASED		16 FEB 09	K.M	H.T



For the side of P/N1926224-3

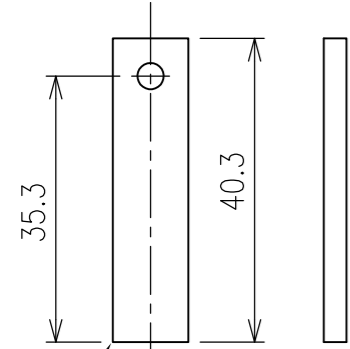


SET UP POINT



仕様 (Specifications)

- (1) 外觀寸法 (OVERALL) : W66×D42×H84 mm
- (2) 重量 (WEIGHT) : 約 500g (about 500g)
- (3) 適用コネクタ (APPLICABLE CONNECTOR) : RECEPTACLE ASSEMBLY, 4 PAIR, 8 COLUMN : 1934222-1



For case where there is no connector in Side

THIS DRAWING IS A CONTROLLED DOCUMENT.		DWN K. MARUYAMA 16 FEB 09	Tyco Electronics Corporation Kawasaki, Japan	
DIMENSIONS: 単位: 耗 mm		CHK H. TANAKA 16 FEB 09	NAME 名称	
TOLERANCES UNLESS OTHERWISE SPECIFIED: 一般公差		APVD H. TANAKA 16 FEB 09	PRODUCT SPEC 製品規格	
0 PLC ± -		APPLICATION SPEC 取付適用規格		
1 PLC ± -		SIZE		
2 PLC ± -		CAGE CODE		
3 PLC ± -		DRAWING NO 番号		
4 PLC ± -		RESTRICTED TO		
ANGLES ± -		A3 00779 C-2088436-2		
MATERIAL 材料	FINISH 仕上	WEIGHT		SCALE 尺度
-	-	CUSTOMER DRAWING		SHEET 1 OF 1
				REV A