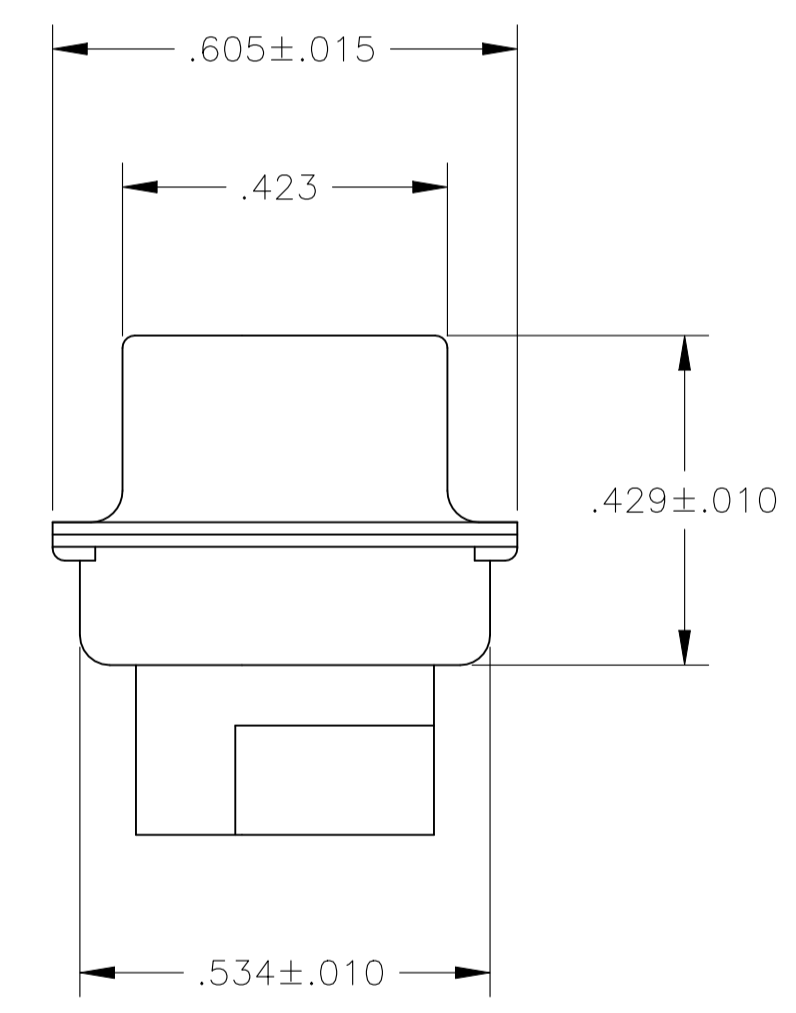
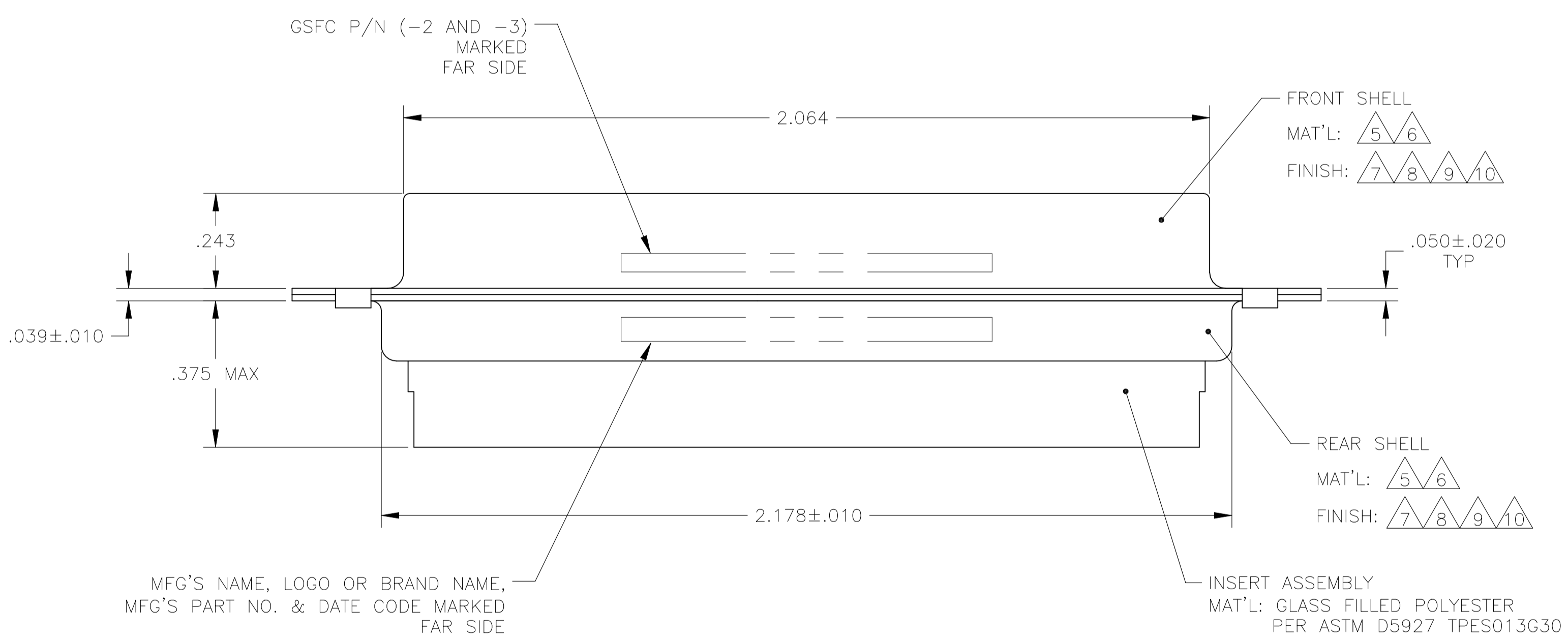
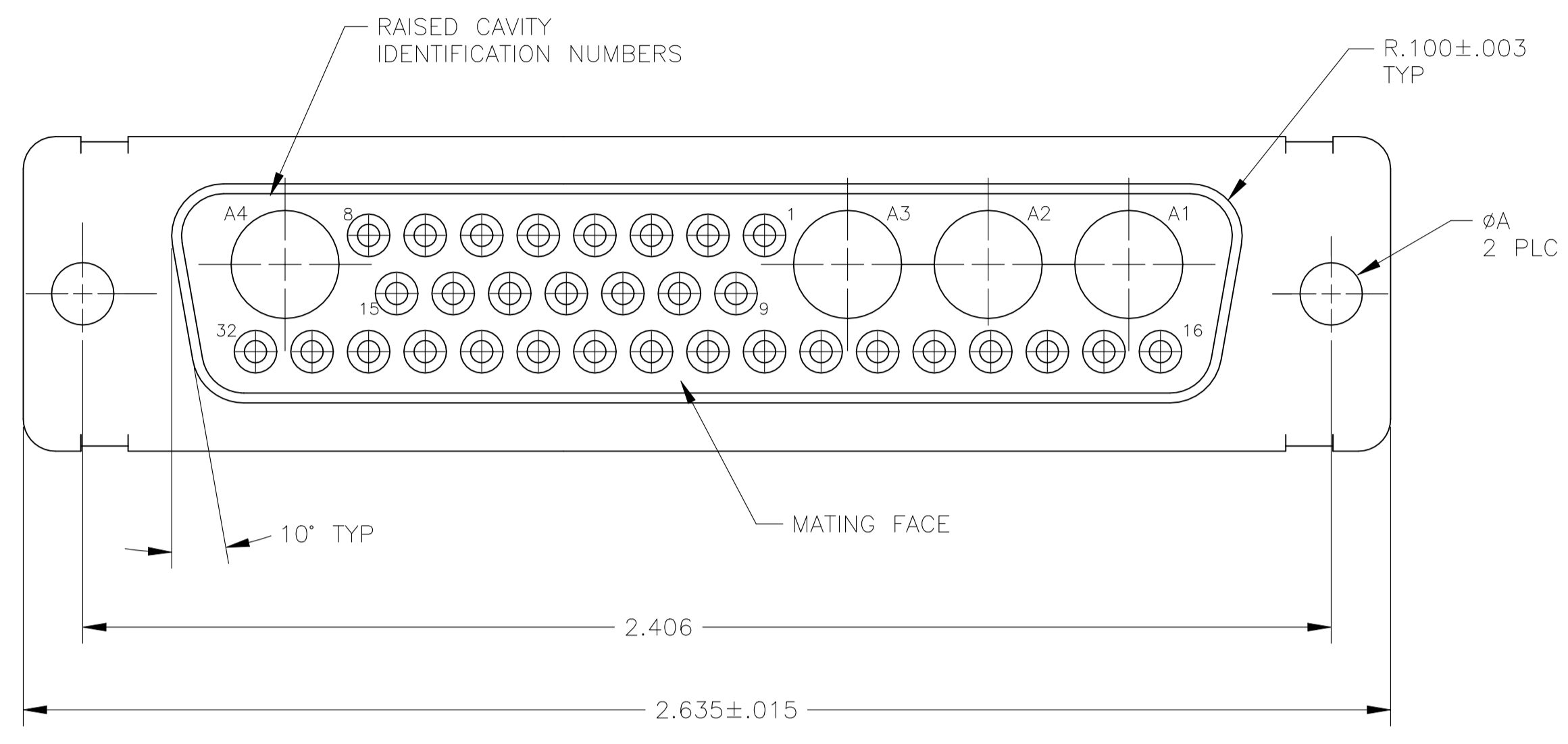


REVISIONS				
P	LTR	DESCRIPTION	DATE	APP'D
U		REVISED PER ECN-24-272311	25JUN2024	PE DS

WARNING - THIS DOCUMENT CONTAINS TECHNOLOGY WHOSE EXPORT IS RESTRICTED BY THE EXPORT ADMINISTRATION REGULATIONS ("EAR") PURSUANT TO 15 C.F.R. PARTS 730-774. VIOLATIONS OF THE EAR ARE SUBJECT TO SEVERE CRIMINAL PENALTIES UNDER THE EXPORT CONTROL REFORM ACT, AS AMENDED (TITLE 50, U.S.C., SEC. 4801, ET SEQ.).

- THIS RECEPTACLE WILL MATE WITH ANY 36C4, SIZE 5 PLUG IN AMPLIMITE SERIES.
 - MAXIMUM WIRE INSULATION TO BE USED WITH THIS RECEPTACLE IS $\phi.072$.
 - THIS CONNECTOR ACCEPTS (4) POWER 8, OR COAX SOCKET CONTACTS IN POSITIONS A1 THRU A4, PURCHASED SEPARATELY.
 - THIS CONNECTOR ACCEPTS SIZE 20 SOCKET CONTACTS IN POSITIONS 1 THRU 32, PURCHASED SEPARATELY.
- $\triangle 5$ MATERIAL: STEEL PER ASTM-A-109.
 $\triangle 6$ MATERIAL: BRASS PER MIL-C-50 AND ASTM-B-36 UNS NO. C26000.
 $\triangle 7$ FINISH: CADMIUM PLATED PER QQ-P-416, TYPE II, CLASS 2.
 $\triangle 8$ FINISH: GOLD PER MIL-G-45204 TYPE II, GRADE C, CLASS 1 OVER COPPER PER MIL-C-14550, CLASS IV.
 $\triangle 9$ FINISH: TIN PER ASTM-B-545 .000200 MIN THK OVER COPPER PER AMS2418 .000100-.000200 THK.
 $\triangle 10$ FINISH: ZINC PLATE PER ASTM-B-633 .000200-.000400 THK WITH SUPPLEMENTARY CHROMATE (Cr3+).



REMARKS	ϕA	GSFC P/N	PART NO.
$\triangle 5/\triangle 9$.120	-	5-208550-4
$\triangle 5/\triangle 10$.120	-	5-208550-1
208550-4 OBSOLETE	$\triangle 5/\triangle 9$.120	-
208550-3 OBSOLETE	$\triangle 6/\triangle 8$.154	311P405-23S-B-15
	$\triangle 6/\triangle 8$.120	311P405-23S-B-12
	$\triangle 5/\triangle 7$.120	-

THIS DRAWING IS A CONTROLLED DOCUMENT.

DIMENSIONS: INCHES
 TOLERANCES UNLESS OTHERWISE SPECIFIED:
 0. PLC ± -
 1. PLC ± -
 2. PLC ± -
 3. PLC ± .005(0.13)
 4. PLC ± -
 ANGLES ± 0°30'

MATERIAL: -
 FINISH: -

THIS DRAWING IS A CONTROLLED DOCUMENT.
 DIN T. SHUEY 07-JAN-88
 CHK A. EMADI 27-JAN-88
 APVD A. EMADI 27-JAN-88
 NAME RECEPTACLE ASSEMBLY
 PRODUCT SPEC AMPLIMITE 36C4
 APPLICATION SPEC SIZE 5, COAX MIX
 SIZE A1 00779 C=208550
 WEIGHT -
 CUSTOMER DRAWING SCALE 4:1 SHEET 1 of 1 REV U

STE TE Connectivity