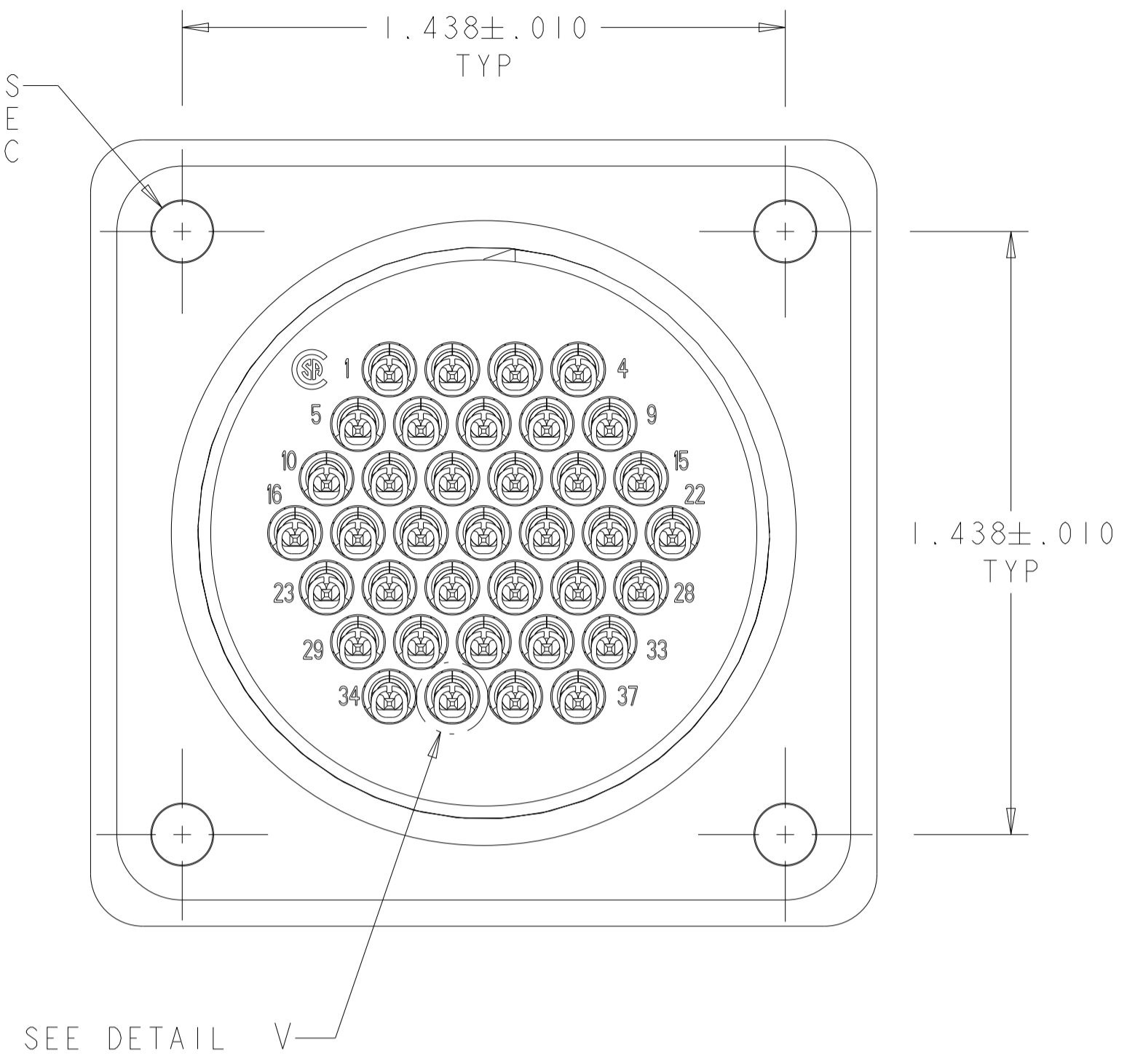
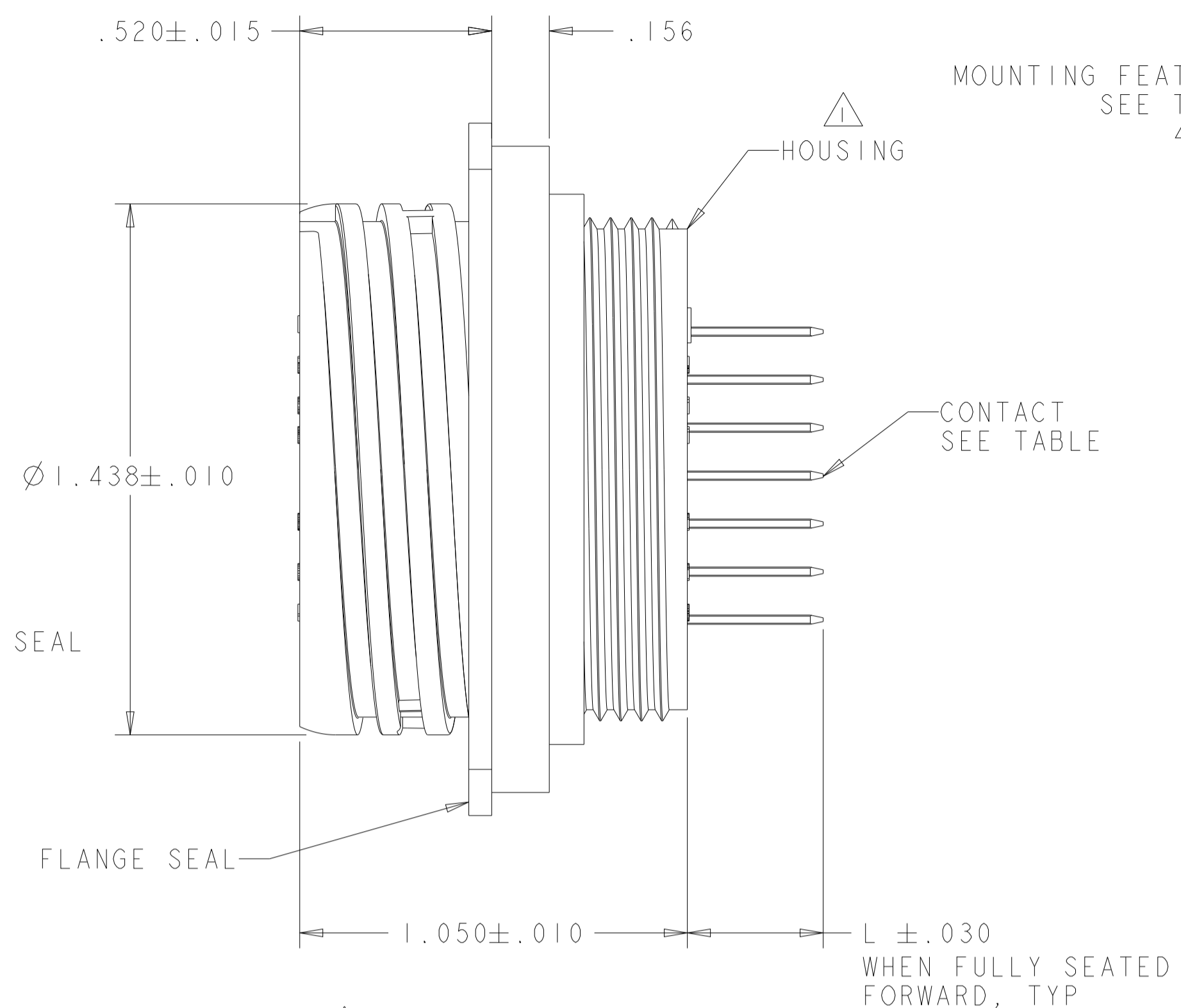
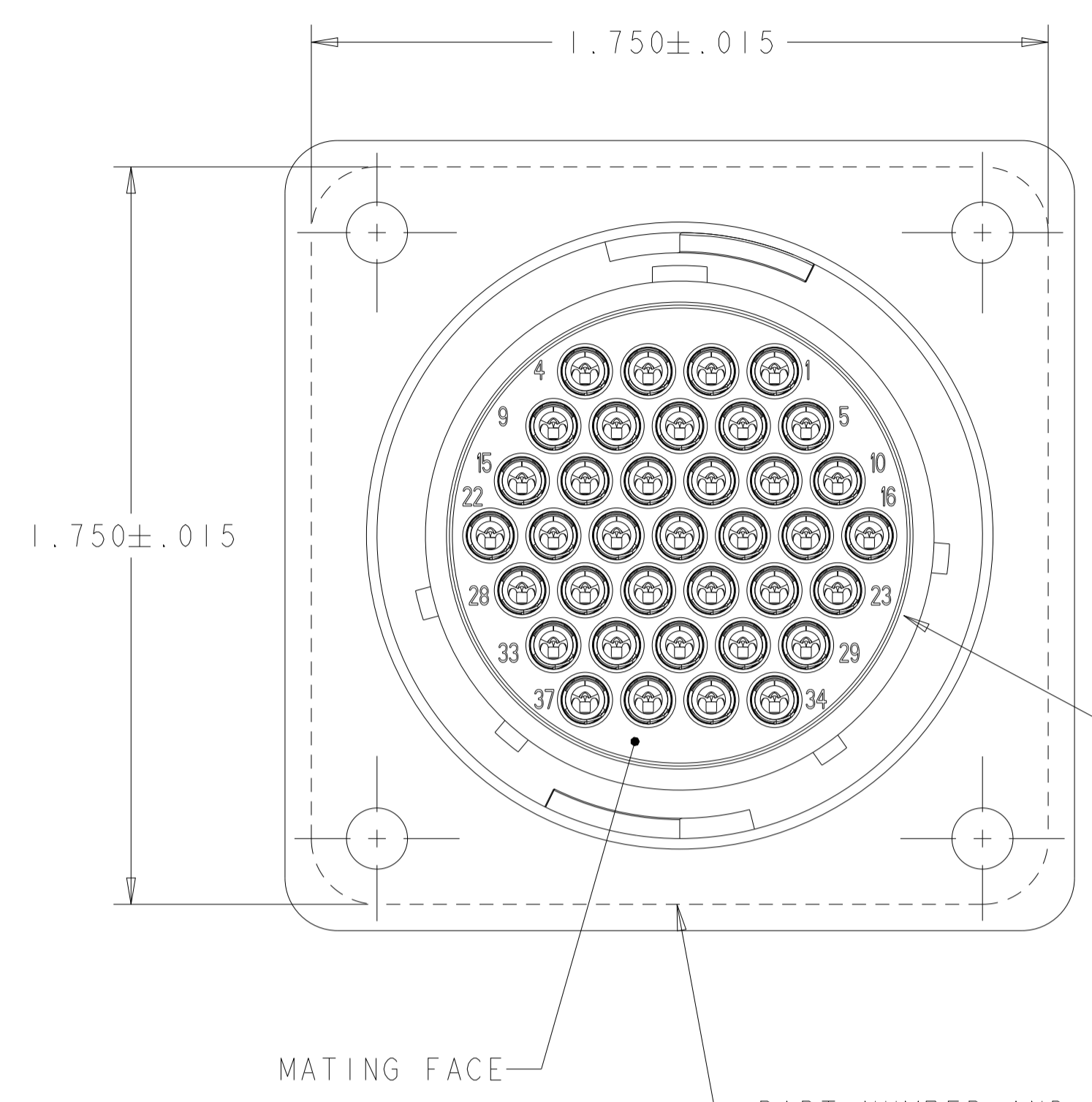
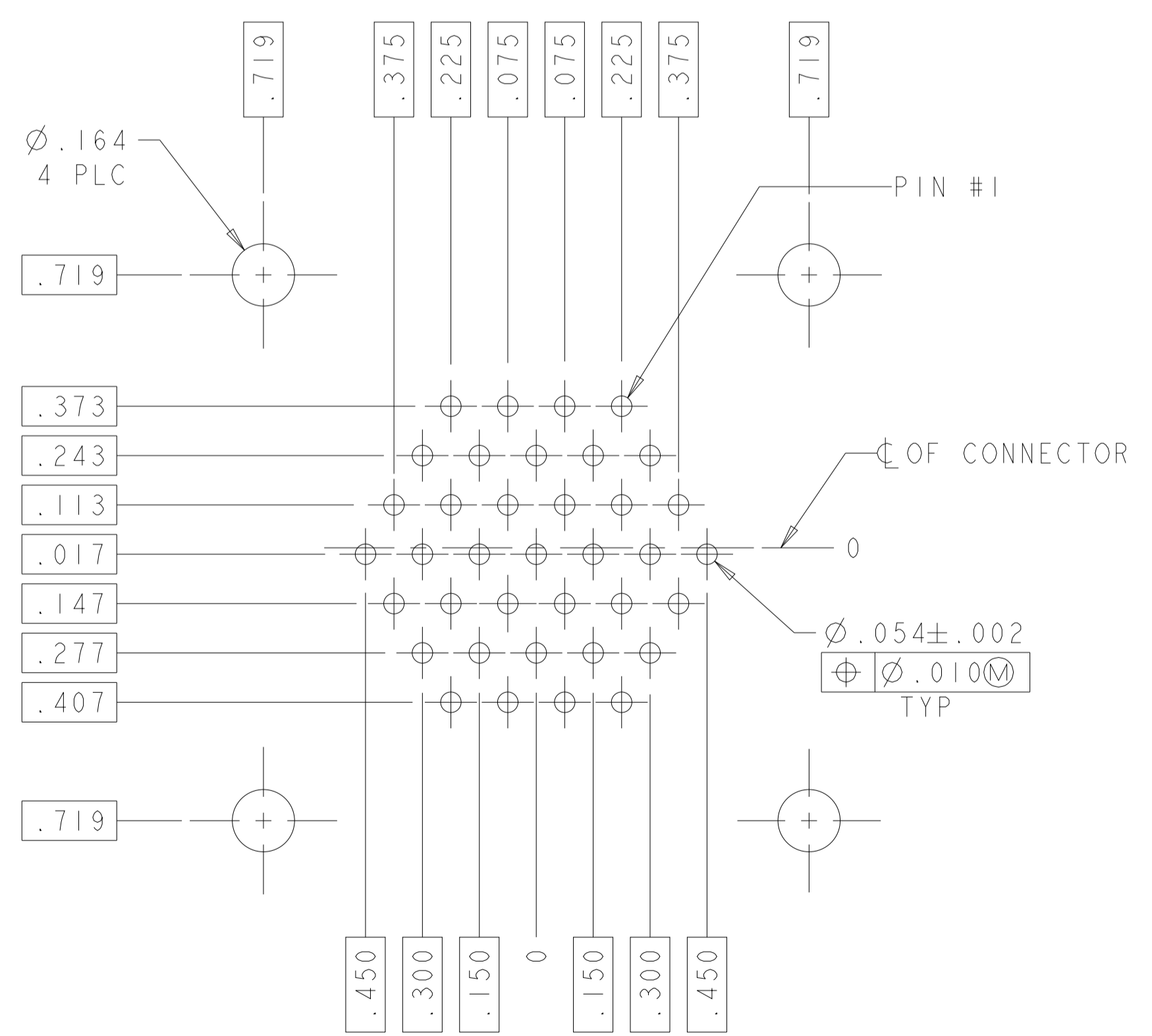
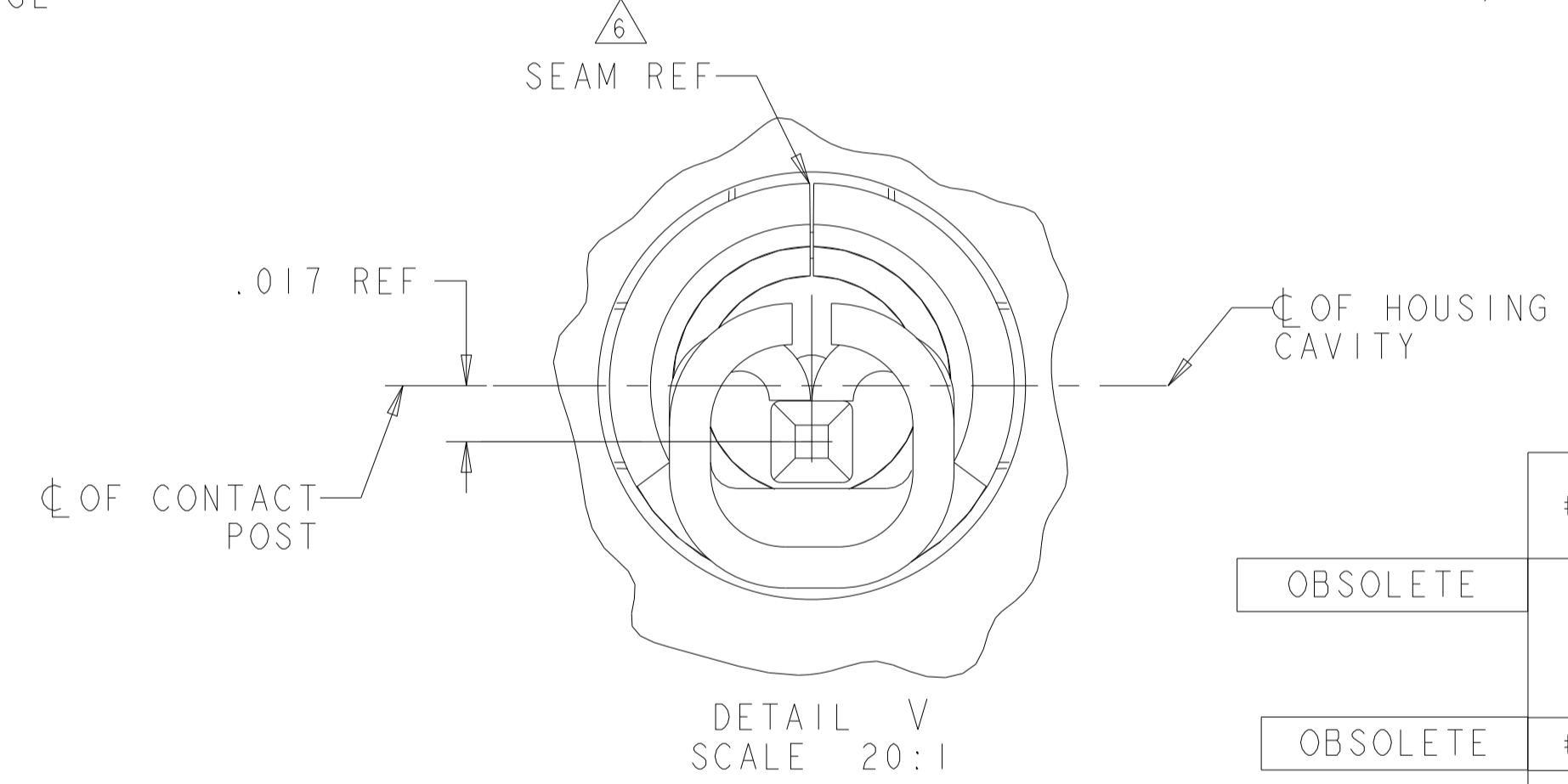


REVISIONS				
P	LTN	DESCRIPTION	DATE	OWN APVD
	AH2	REVISED PER ECR-22-150475	29AUG2022	RK MZ



PART NUMBER AND DATE CODE MARKED ON ANY FLANGE EDGE

L ± .030 WHEN FULLY SEATED FORWARD, TYP



	#4-40 THREADED INSERTS	NO	YES	.557	△	ALL	3-208224-0
		NO	NO	.547	△	ALL	2-208224-9
OBSOLETE	Ø .125 HOLES	NO	NO	.490	△	ALL	2-208224-8
		YES	YES	.368	△	1-17, 19-37	2-208224-5
		NO	NO	.557	△	1-9, 11-31, 33-37	2-208224-4
OBSOLETE	#4-40 THREADED INSERTS	NO	YES	.557	△	ALL	2-208224-3
		NO	NO	.368	△	ALL	2-208224-2
		NO	NO	.557	△	ALL	2-208224-1
		NO	YES	.368	△	1-10, 12-29, 31-37	1-208224-8
		NO	YES	.368	△	4, 8, 10, 23, 31, 34-36	+208224-7
OBSOLETE		NO	YES	.368	△	1-10, 12-29, 31-37	+208224-6
		NO	YES	.368	△	1-22, 24-37	1-208224-5
		NO	NO	.368	△	ALL	+208224-3
OBSOLETE	Ø .125 HOLES	NO	YES	.368	△	1-10, 12-29, 31-37	+208224-2
		NO	YES	.368	△	1-22, 24-37	+208224-1
OBSOLETE		NO	YES	.368	△	1-10, 12-29, 31-37	1-208224-0
OBSOLETE		NO	NO	.368	△	ALL	208224-9
OBSOLETE		NO	YES	.368	△	1-22, 24-37	208224-5
		NO	YES	.368	△	4, 8, 10, 23, 31, 34-36	208224-4
OBSOLETE		NO	YES	.368	△	1-10, 12-29, 31-37	208224-3
		NO	NO	.368	△	ALL	208224-2
OBSOLETE		NO	NO	.557	△	ALL	208224-1
		NO	NO	.557	△	ALL	208224-0

RECOMMENDED PC BOARD LAYOUT

THIS DRAWING IS A CONTROLLED DOCUMENT. OWN: S. WELDON 26FEB2003
 CHK: S. WELDON 26FEB2003
 DIMENSIONS: INCHES TOLERANCES UNLESS OTHERWISE SPECIFIED:
 0 PLC ±.000
 1 PLC ±.000
 2 PLC ±.000
 3 PLC ±.000
 4 PLC ±.000
 ANGLES ±.0000
 FINISH ±.0000

APVD: S. WELDON 26FEB2003
 S. HEADER
 PRODUCT SPEC

NAME: RECEPTACLE ASSEMBLY, POSTED, REVERSE SEX, SERIES 1, 23-37, CPC

SIZE: A1 00779 C=208224
 WEIGHT: -
 CUSTOMER DRAWING

SCALE: 3:1 SHEET: 1 OF 2 REV: AH2

TE Connectivity

REVISIONS				
P	LTN	DESCRIPTION	DATE	APVD
-	-	SEE SHEET 1	-	-

- △1 HOUSING: THERMOPLASTIC, COLOR: BLACK.
- △2 PERIPHERAL SEAL: ELASTOMER, COLOR: BLACK.
- △3 CONTACT:
 BODY - BRASS, .000030 MIN GOLD FOR A LENGTH OF .200 MIN FROM MATING END, GOLD FLASH ON REMAINDER, BOTH OVER .000050 MIN NICKEL.
 POST - BRASS, .000100 MIN TIN-LEAD OVER .000050 MIN NICKEL.
- △4 CONTACT:
 BODY - BRASS, .000100 MIN TIN-LEAD OVER .000050 MIN NICKEL.
 POST - BRASS, .000100 MIN TIN-LEAD OVER .000050 MIN NICKEL.
- △5 CONTACT:
 BODY - BRASS, .000100 MIN TIN OVER .000050 MIN NICKEL.
 POST - BRASS, .000100 MIN TIN OVER .000050 MIN NICKEL.
- △6 .009 MAXIMUM CONTACT LEAD-IN SEAM GAP PERMISSIBLE ON MATING FACE END.
- △7 CONTACT:
 BODY - BRASS, .000030 MIN GOLD FOR A LENGTH OF .200 MIN FROM MATING END, GOLD FLASH ON REMAINDER, BOTH OVER .000050 MIN NICKEL.
 POST - BRASS, .000100 MIN TIN.
- △8 FLANGE SEAL: ELASTOMER, COLOR: BLACK.

THIS DRAWING IS A CONTROLLED DOCUMENT.		OWN S. WELDON 26FEB2003	
		CHK S. HEADER 26FEB2003	
DIMENSIONS: INCHES	TOLERANCES UNLESS OTHERWISE SPECIFIED:	APVD S. HEADER 26FEB2003	NAME RECEPTACLE ASSEMBLY, POSTED, REVERSE SEX, SERIES 1, 23-37, CPC
0 PLC ±.0	1 PLC ±0.0	PRODUCT SPEC	RESTRICTED TO
2 PLC ±0.00	3 PLC ±0.000	APPLICATION SPEC	SIZE CAGE CODE DRAWING NO
4 PLC ±0.0000	ANGLES ±.0000	WEIGHT	A 00779 C=208224
FINISH		CUSTOMER DRAWING	SCALE 3:1 SHEET 2 OF 2 REV AH2